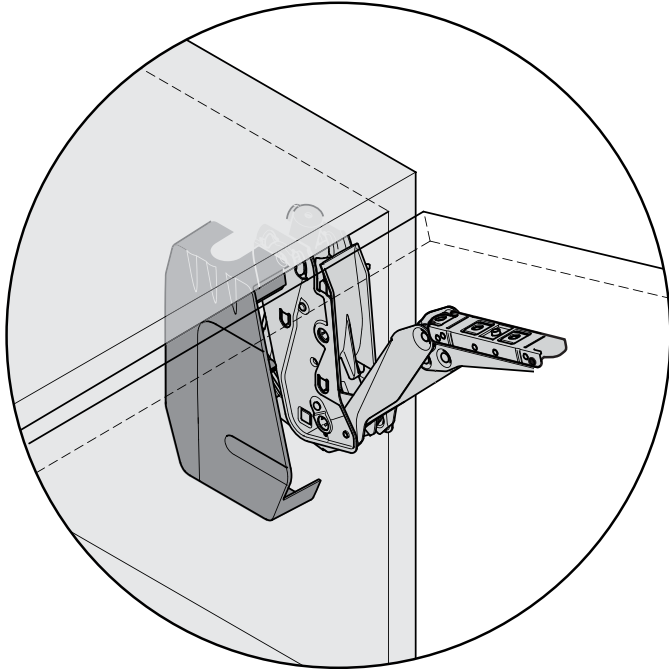
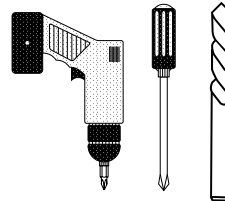


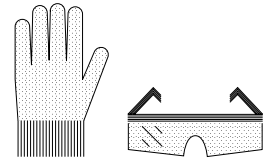
Free flap family Door mounting instructions



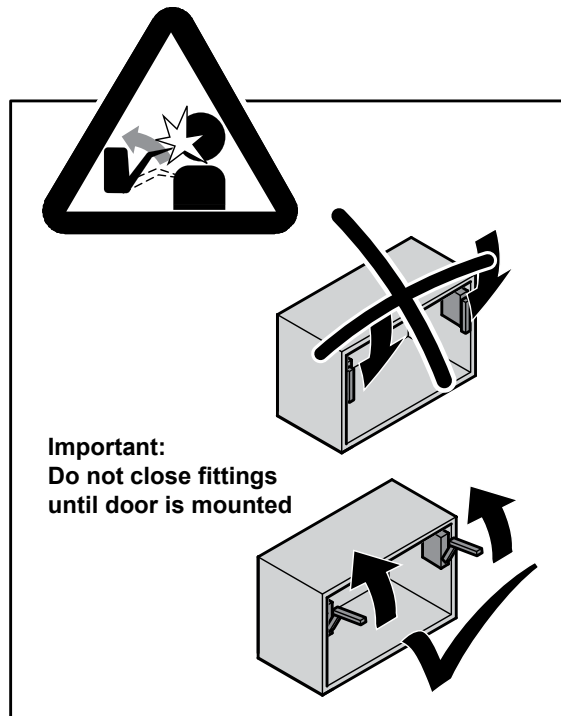
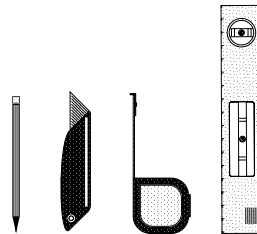
Required Tools



Safety



Handy Tools



Free flap family Door mounting instructions

Cat. No:
372.91.722

In the box

2x **E** 372.91.499

+

Information

	mm		
	250	C	5.4 - 11.8
	275	C	4.8 - 10.6
	300	C	4.4 - 9.6
	325	C	4.0 - 8.8
	350	C	3.7 - 8.1
	375	C	3.5 - 7.5
	400	C	3.2 - 7.0

1 + 5mm drill bit

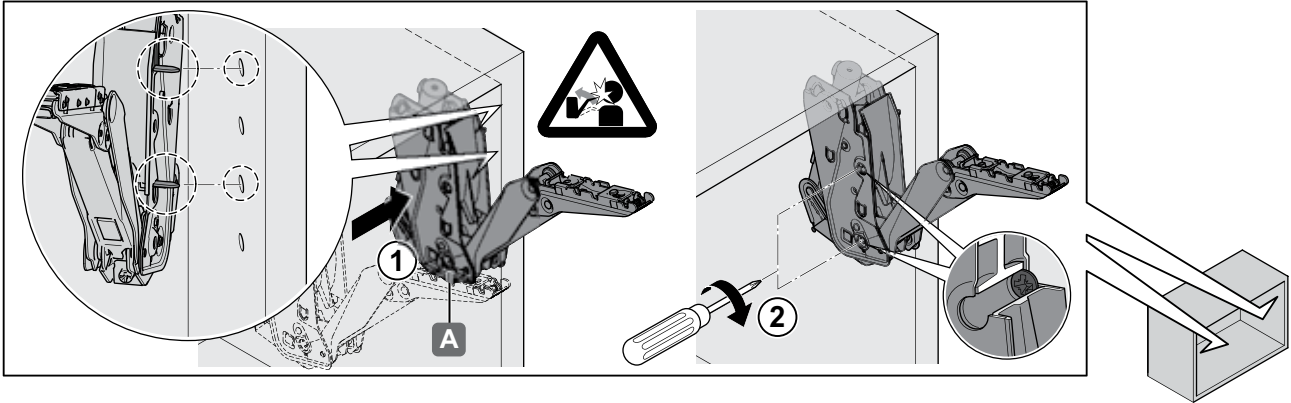
2 + 5mm drill bit

i

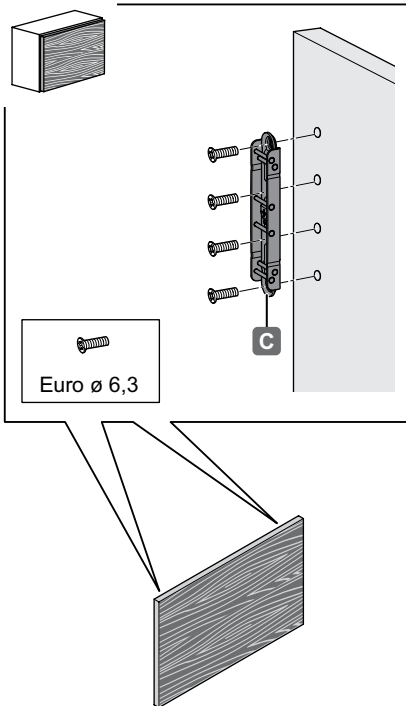
Free flap family Door mounting instructions

Cat. No:
372.91.722

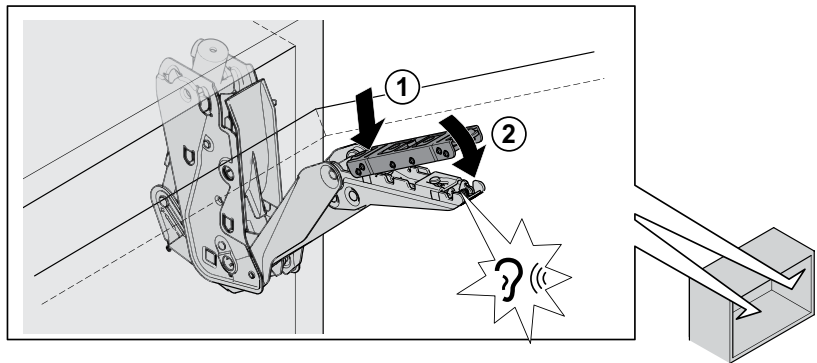
3



4

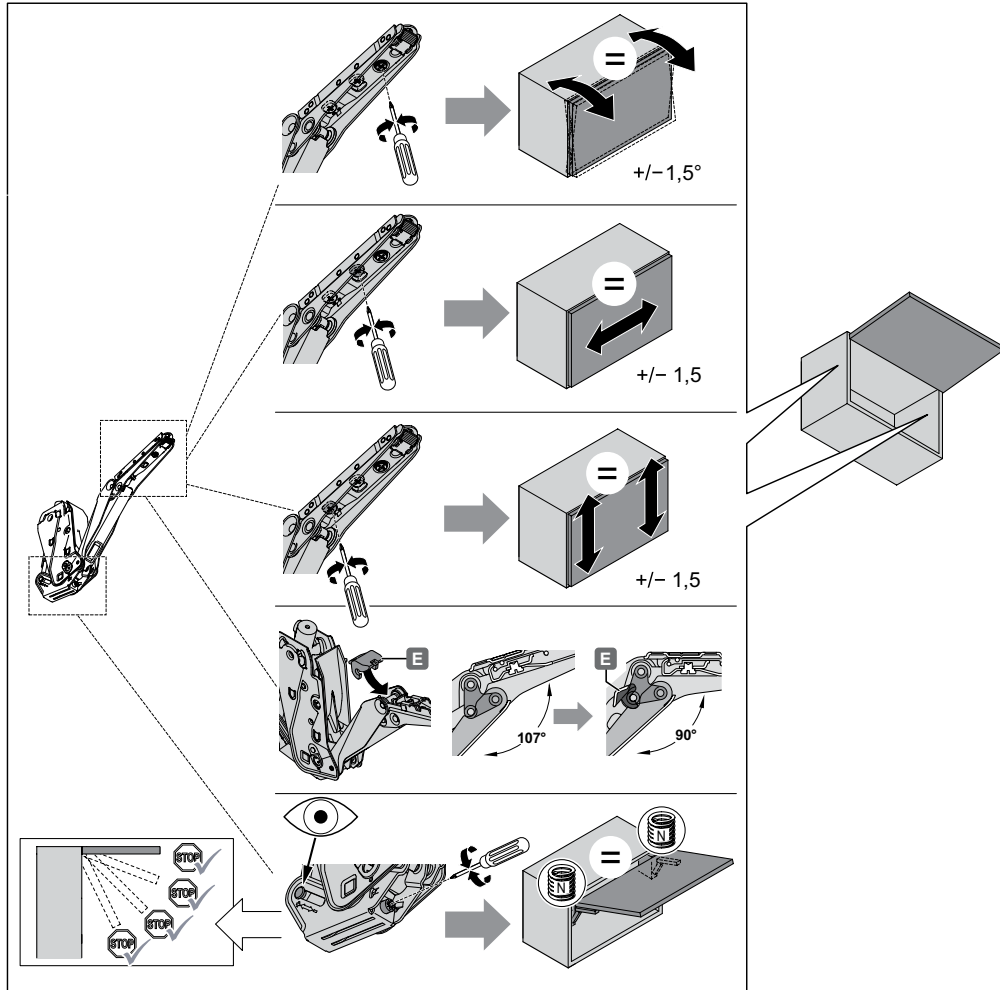


5

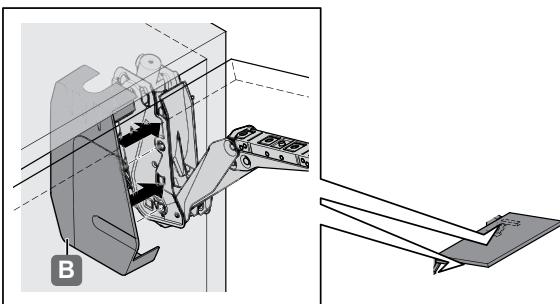


Free flap family Door mounting instructions

6



7



i

Information

