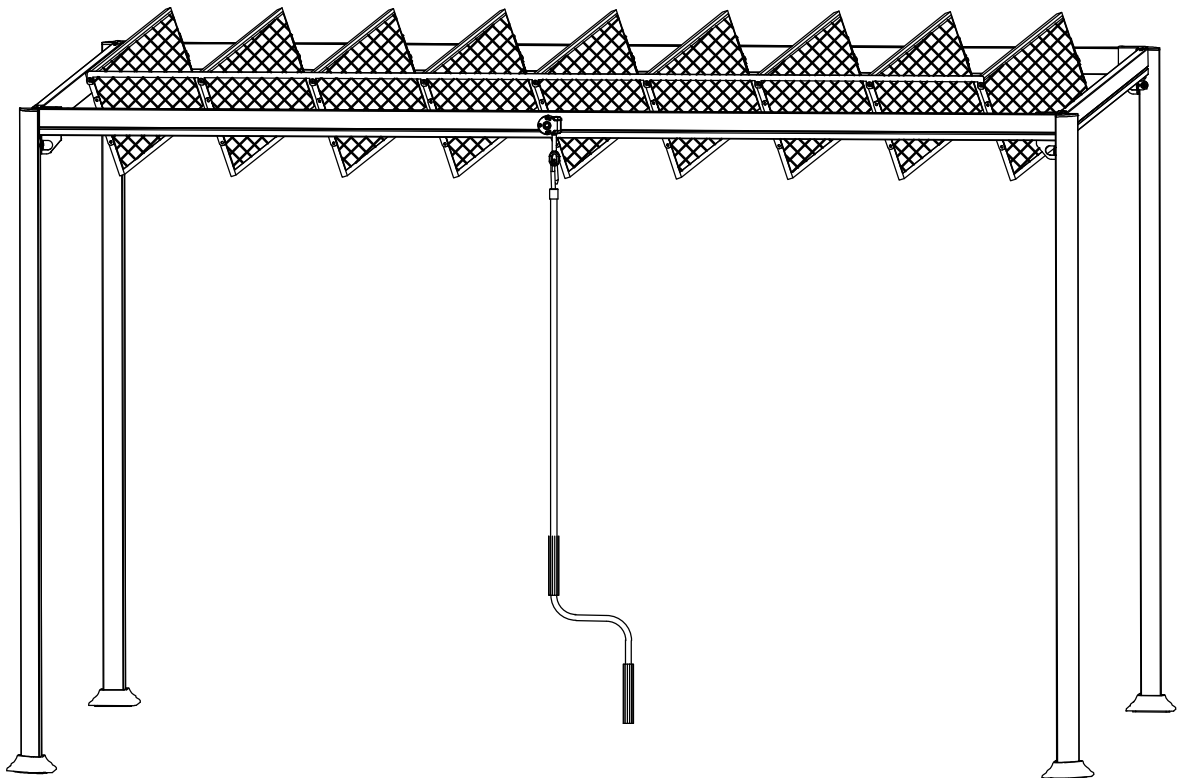


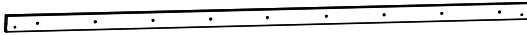

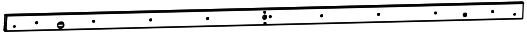

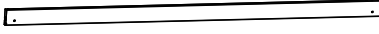

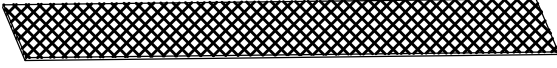
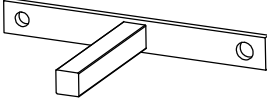
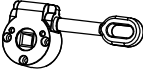

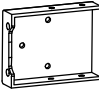
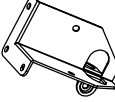
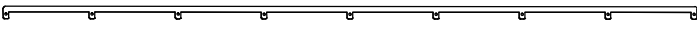
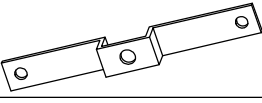
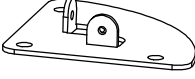



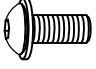
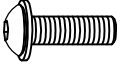
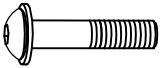
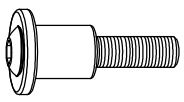


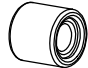



# LOUVRE SUNSHELTER GAZEBO 3.0M x 3.6M

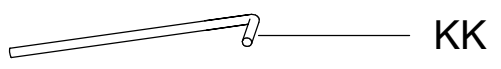
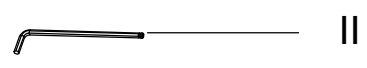
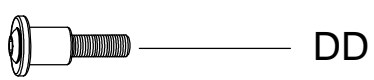
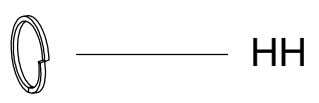
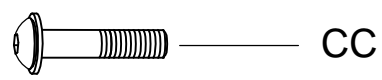
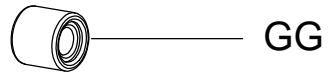
## Assembly Instruction

Item number:3192510



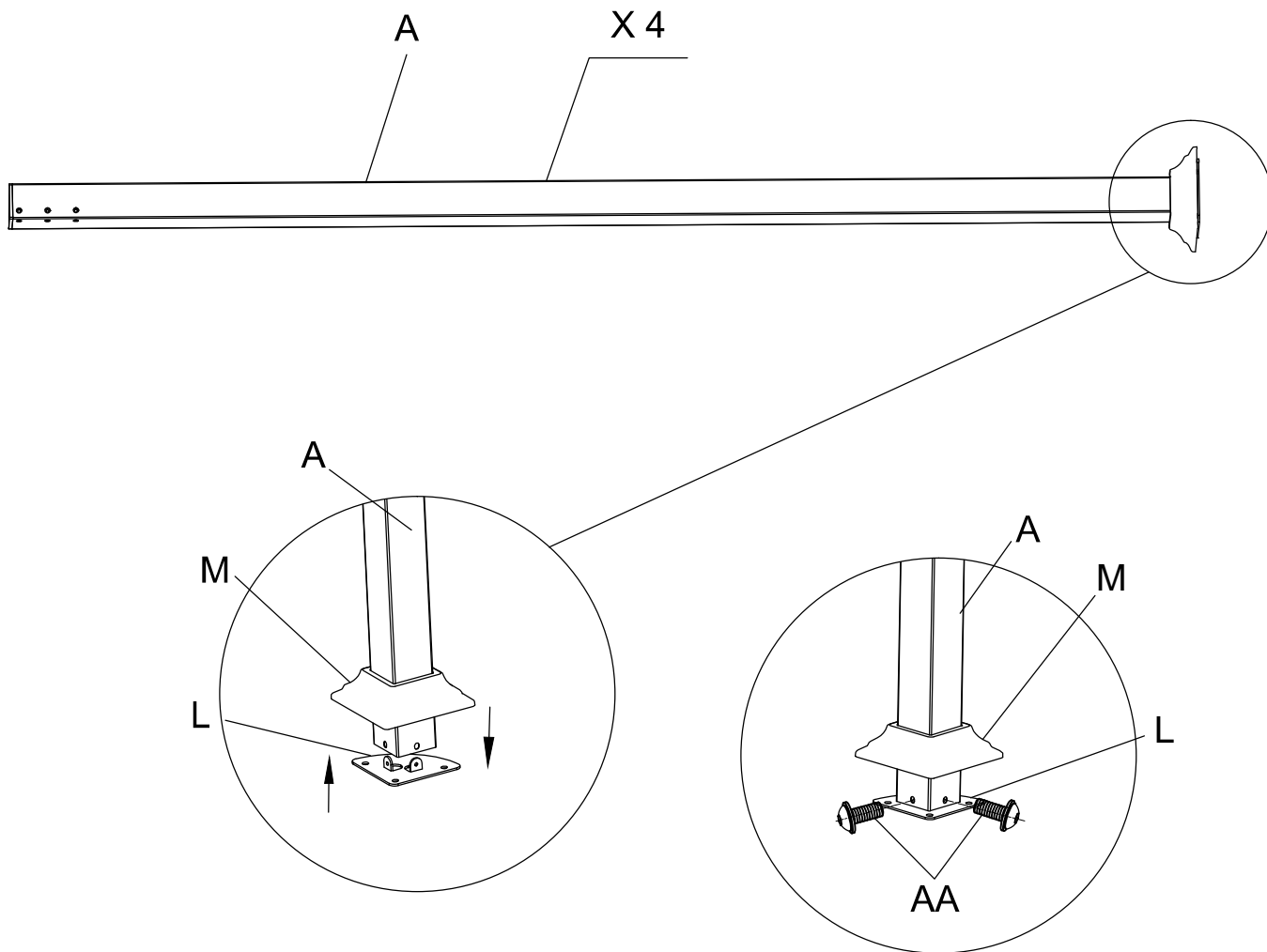
REF	PCE	PARTS LIST	QTY	DIM
	A	  Leg tube	4	
	B	  Roof Frame	1	
	C	  Roof Frame	1	
	D	  Roof Frame	2	
	E	 Roof panel	9	
	F	 Louvre shaft	1	
	G	 Louvre drive system	1	
	H	 Handle	1	
	I	 Leg tube brackets	8	
	J	 Corner brackets	4	
	K	 panel connection bar	1	
	K1	 panel brackets	17	
	L	 Leg base	4	
	M	 Leg base cover	4	

REF	PCE	PARTS LIST		QTY	DIM
	AA		M6*15	96+2	
			Bolt		
	BB		M6*30	2	
			Bolt		
	CC		M6*65	3	
			Bolt		
	DD		φ10*12*M6*16	26+2	
			Bolt		
	EE			26	
			Washer		
	FF		M6	3	
			Nut		
	GG			2	
			spacer		
	HH			16+2	
			spring washer		
	II			2	
			Allen Key		
	KK			12	
			stake		



**STEP 01**

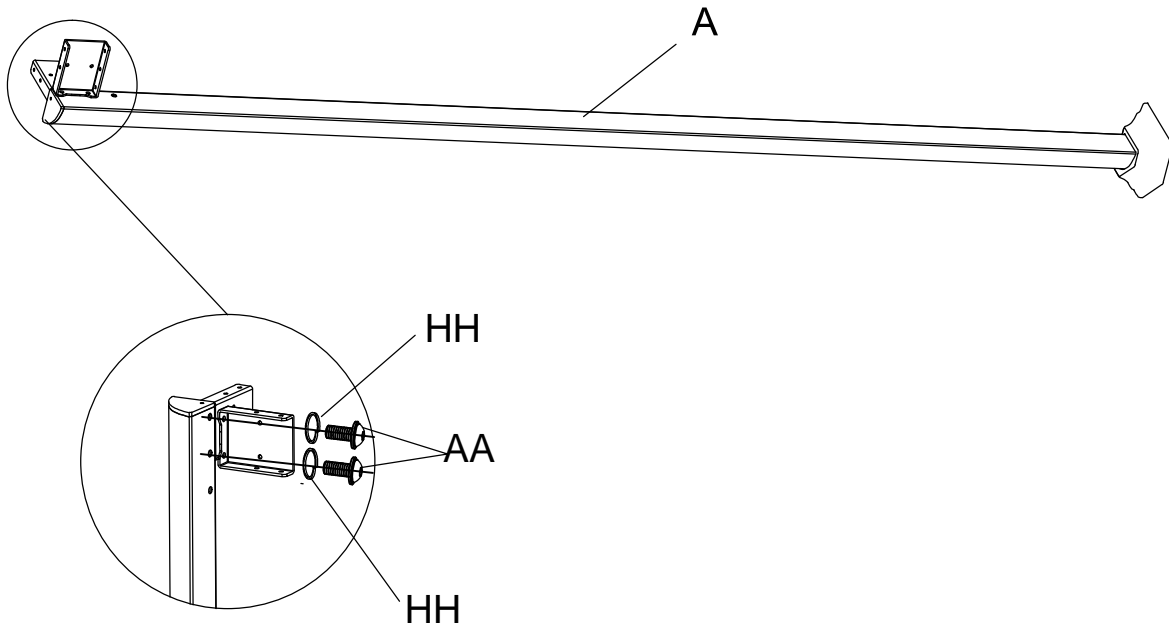
Insert the leg base cover(M) over the leg tube (A).  
 Then attach the leg base (L) to the leg tube (A),  
 using bolts (AA) and Allen key (II). Tighten securely



A	4		
L	4		
M	4		
AA	8		M6*15
II	1		

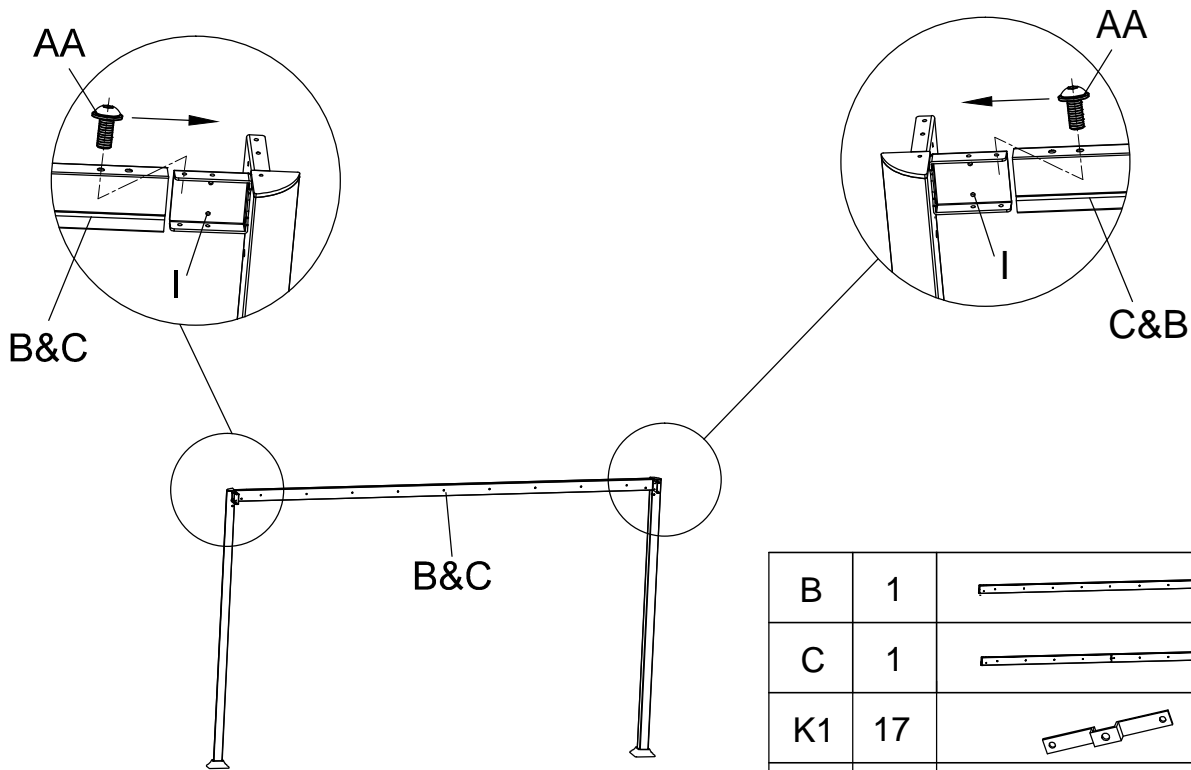
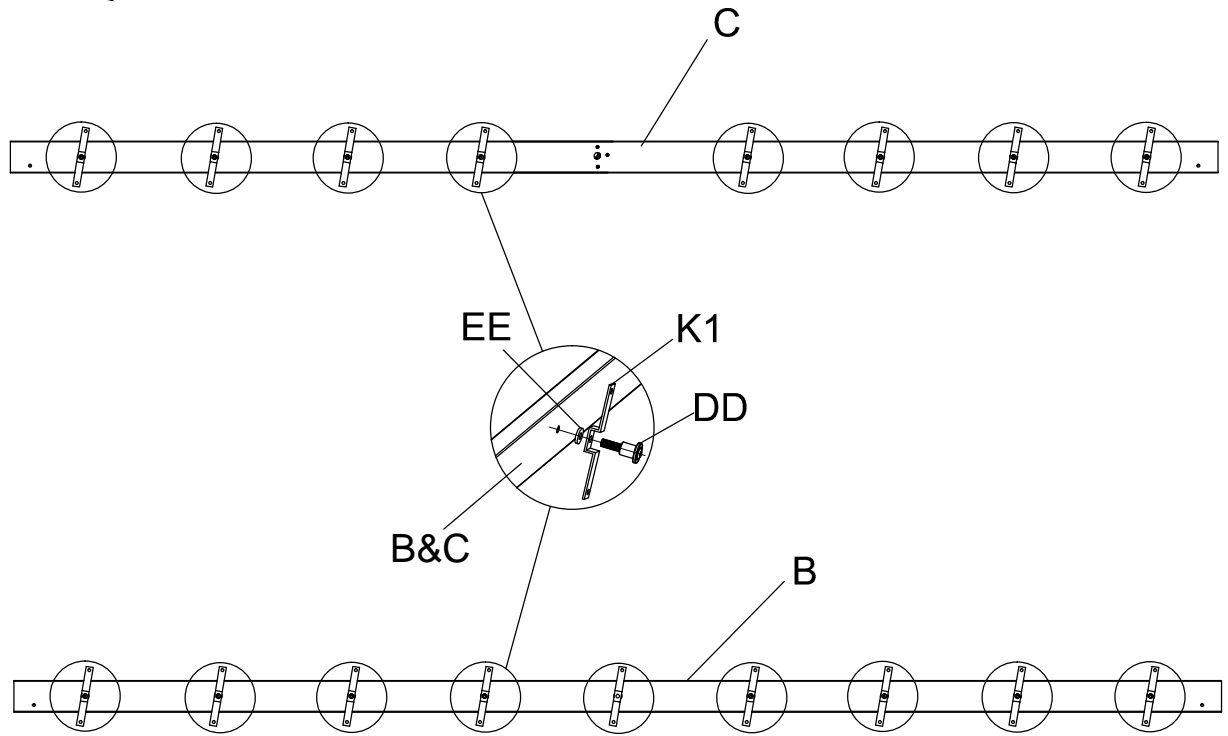
**STEP 02**

Secure the leg tube brackets(I) with the leg tube (A) by using bolts (AA) and spring washer (HH).  
Tighten securely with Allen key (II)



I	8	
AA	16	M6*15
HH	16	
II	1	

**STEP 03**

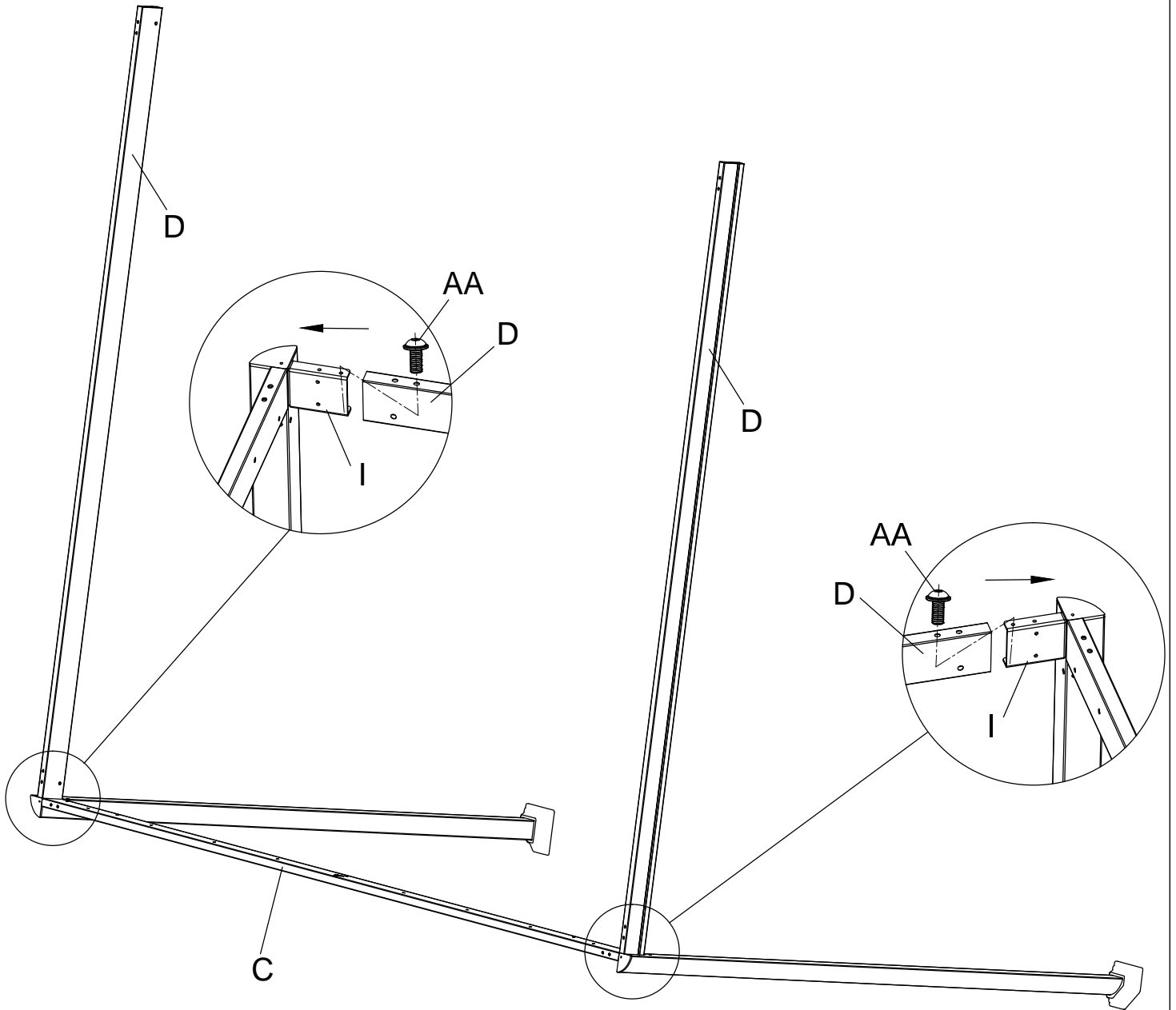


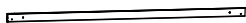



Connect the panel brackets (K1) to the roof frame (B), using bolt (DD) and washer (EE). Tighten securely using Allen key (II). Then connect the roof frame (B) to the leg tube brackets (I) using bolt (AA). Tighten securely with Allen key (II). Repeat for the other roof frame (C) and legs (A).

B	1		
C	1		
K1	17		
AA	4		M6*15
DD	17		Ø10*12*M6*16
EE	17		
II	1		

**STEP 04**

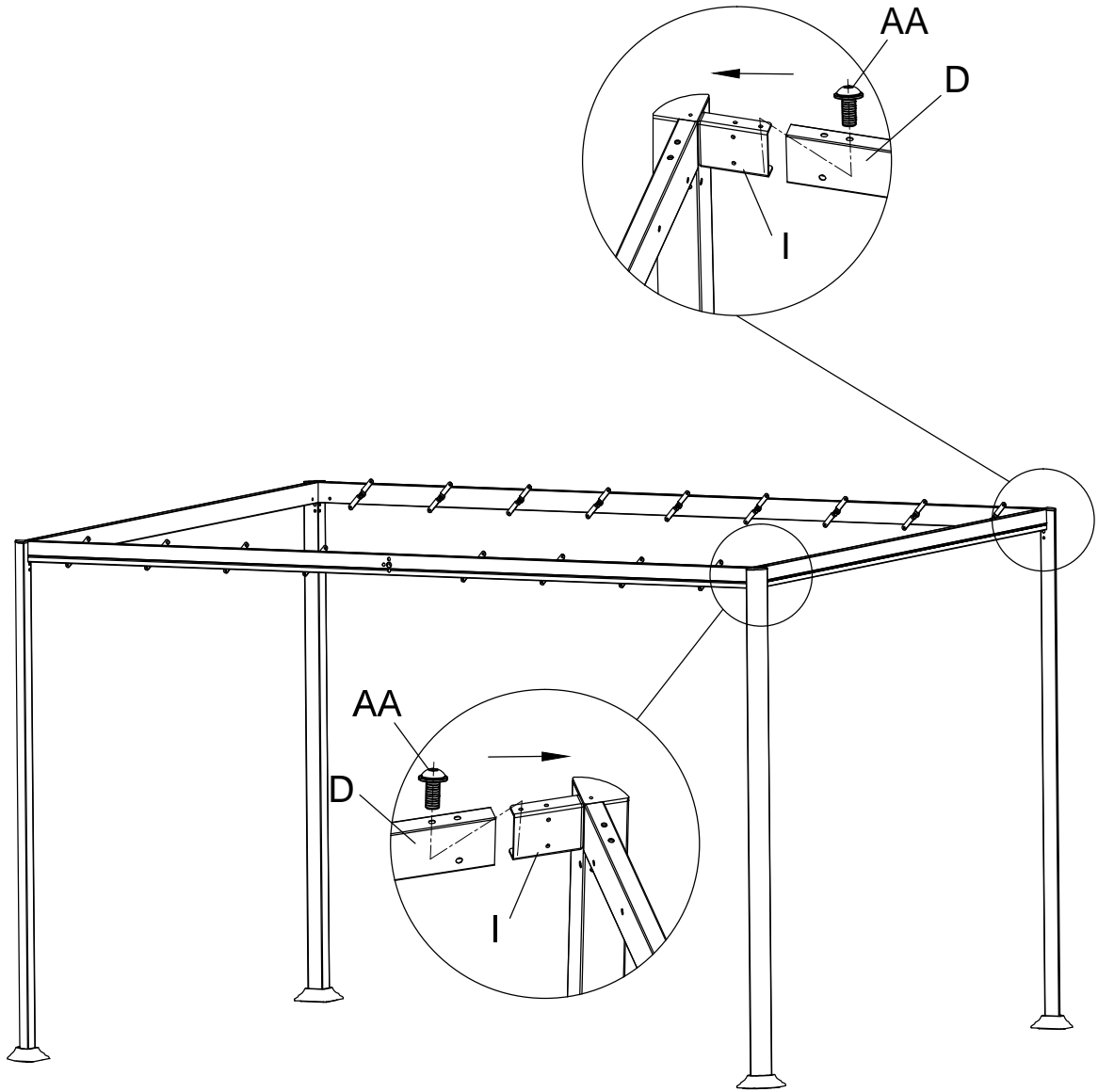
Secure the roof frame (D) to the leg tube brackets (I) using bolts (AA).  
Tighten securely with Allen key (II).  
Repeat for the other side.





D	2		
AA	2		M6*15
II	1		

**STEP 05**

Secure the roof frame (D) to the leg tube brackets (I) using bolts (AA).  
Tighten securely with Allen key (II).  
Repeat for the other side.



AA	2		M6*15
II	2		

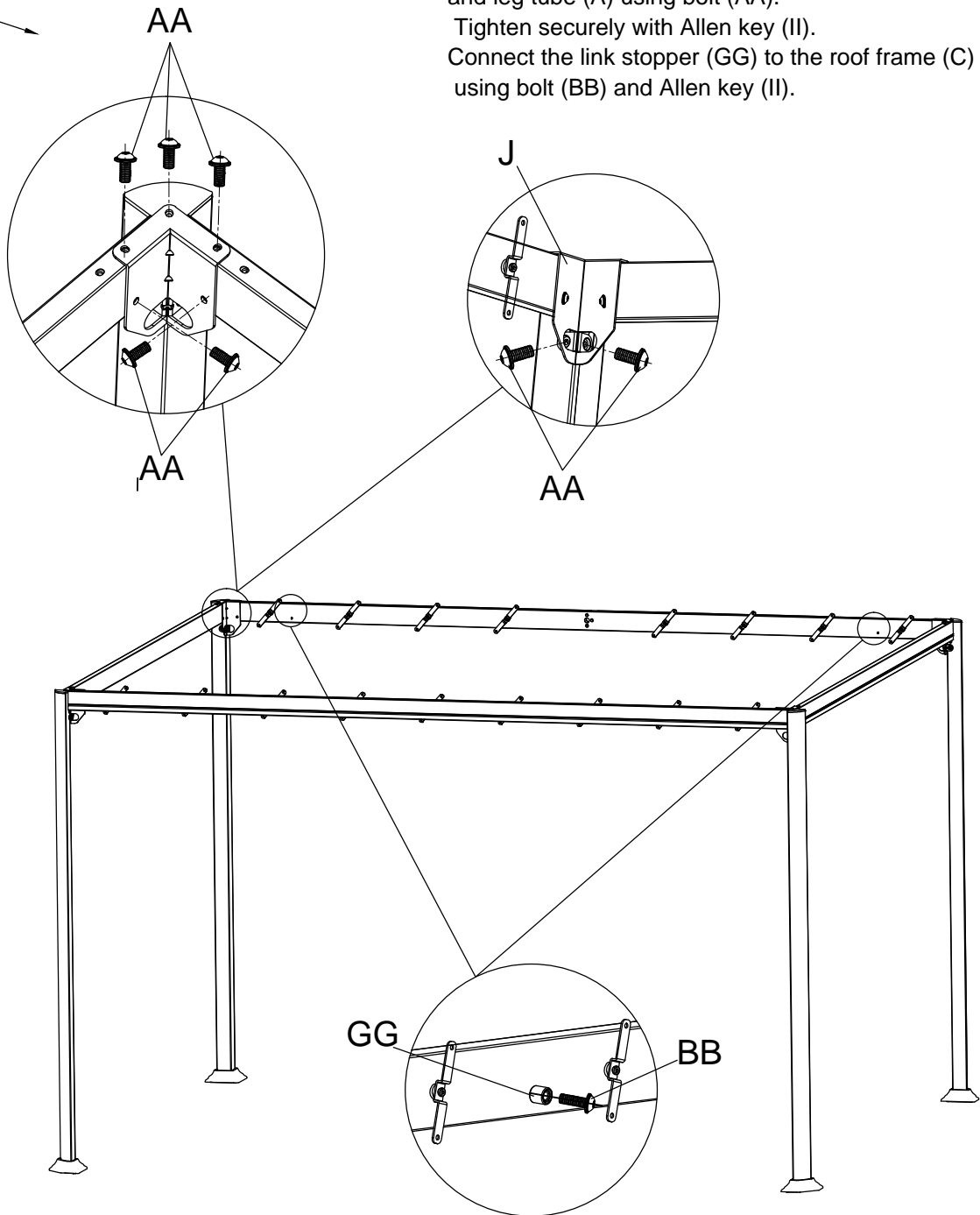



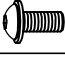



**STEP 06**

Secure the corner brackets (J) to the roof frame (B&C) and leg tube (A) using bolt (AA).

Tighten securely with Allen key (II).

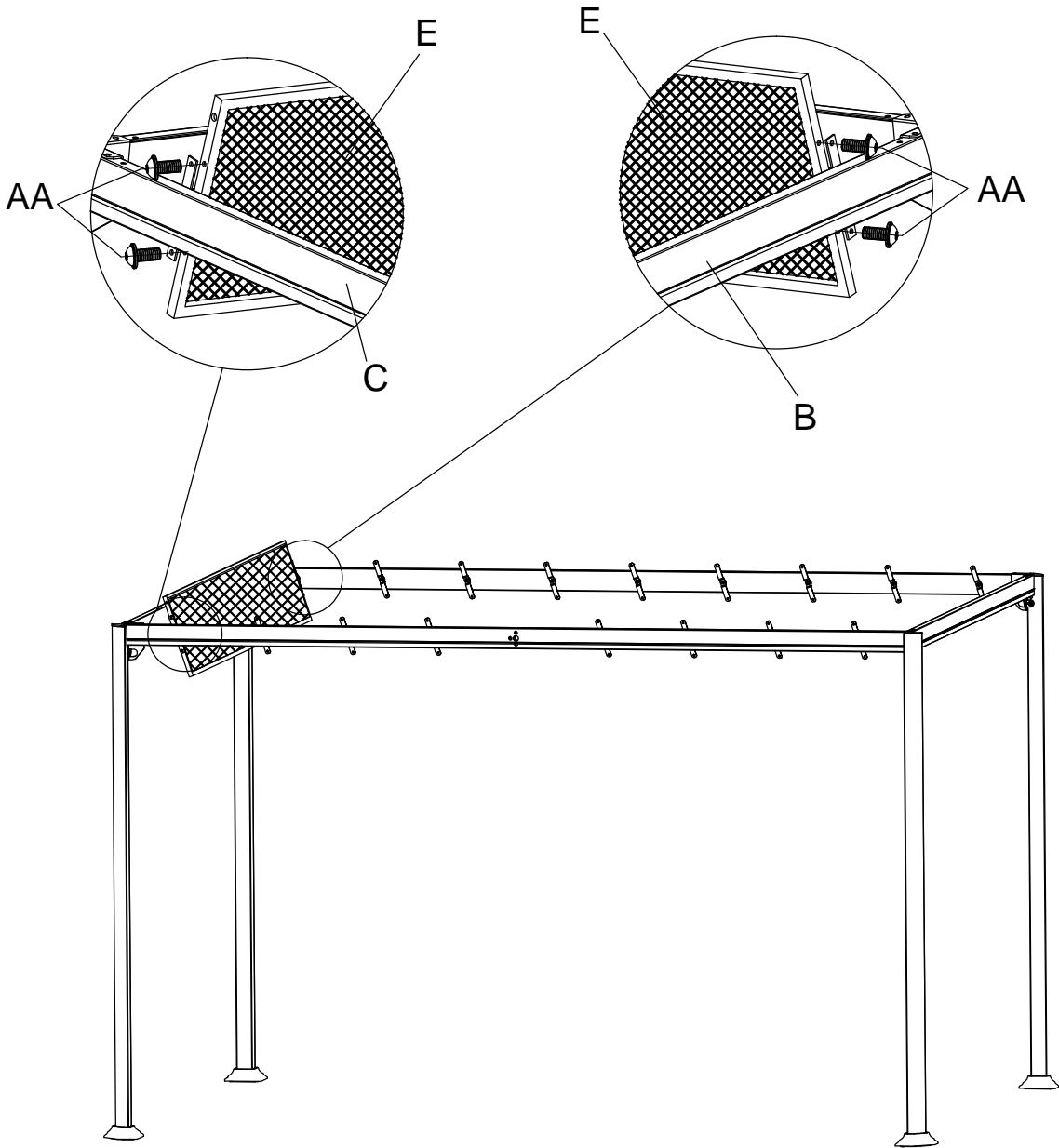
Connect the link stopper (GG) to the roof frame (C) using bolt (BB) and Allen key (II).



J	4		
AA	28		M6*15
BB	2		M6*30
GG	2		
II	1		

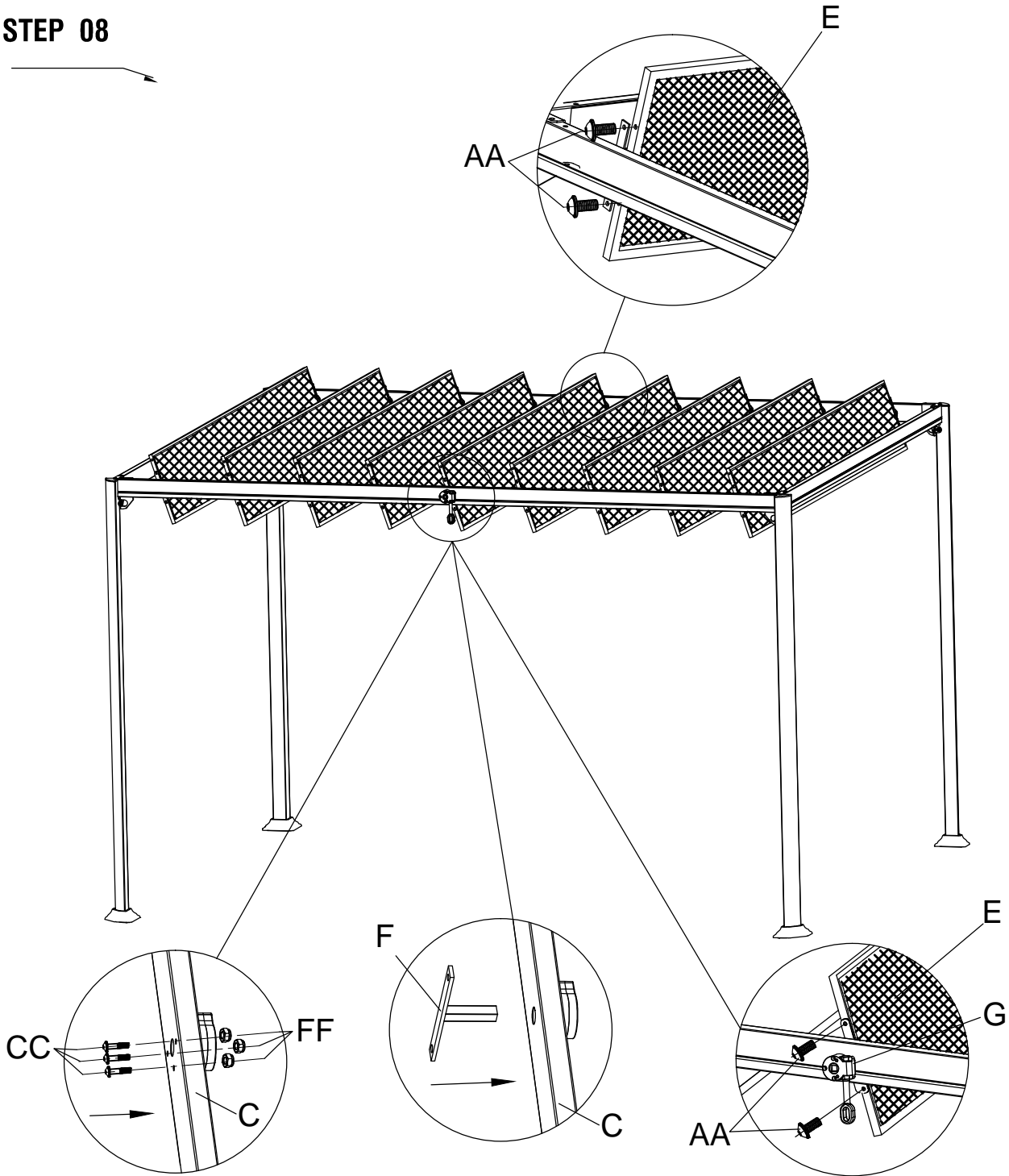
**STEP 07**

secure the roof panels (E) to the panel brackets (K1),  
using bolt (AA) and Allen key (II).



E	8	
AA	32	M6*15
II	2	

**STEP 08**



Connect the louvre drive system (G) to the roof panel (C) put nut(FF) outside of louvre drive system(G), Tighten securely using bolt (CC) and Allen key (II).

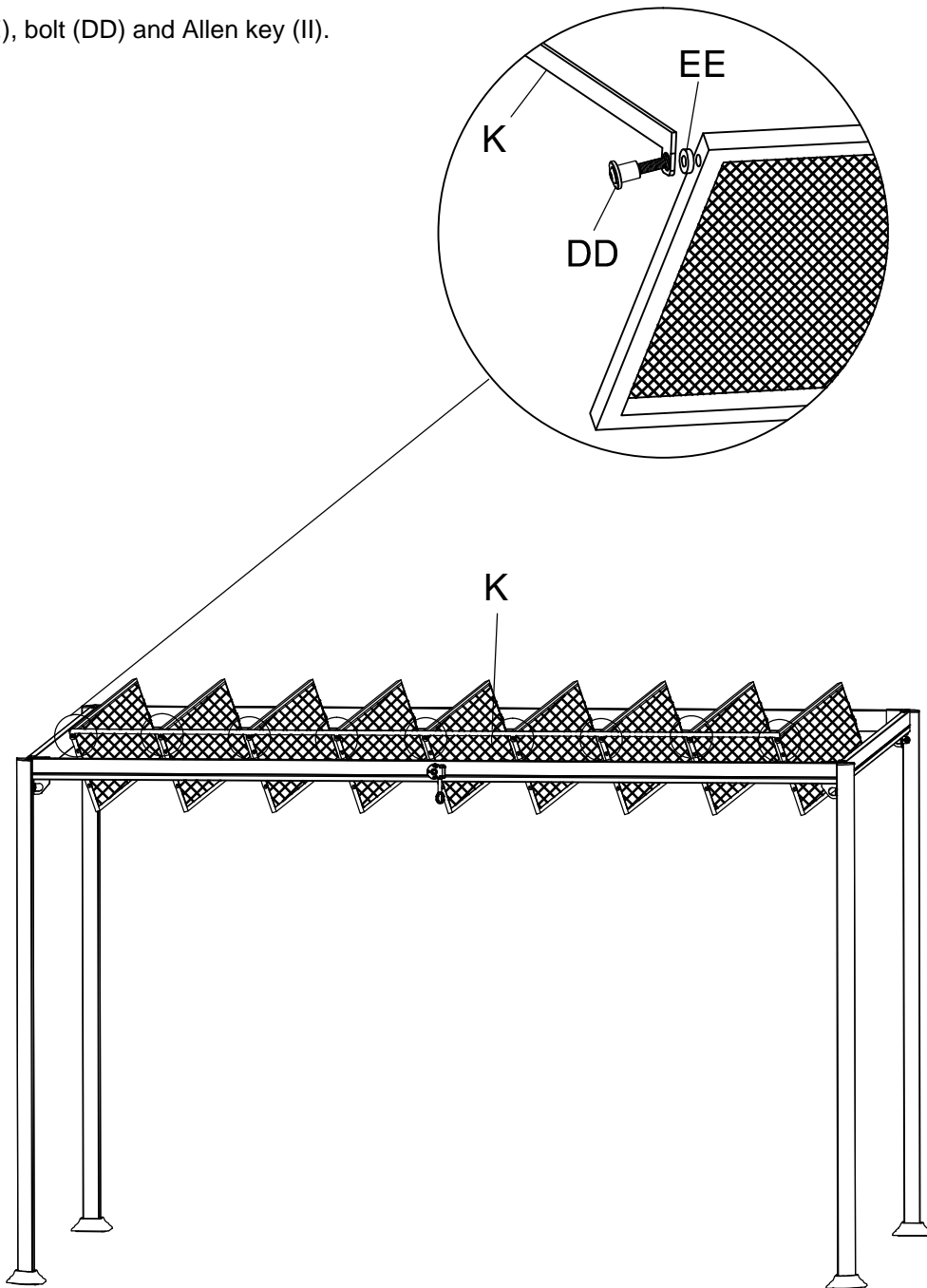
Insert the louvre shaft (F) into the roof frame (C) and louvre drive system (G).

Secure the roof panel (E) to the louvre shaft (F) using bolt (AA) and Allen key (II).

E	1	
F	1	
AA	4	M6*15
CC	3	M6*65
FF	3	M6
II	2	

## STEP 09

Secure the panel connection bar (K) to the roof panels (E), using washer (EE), bolt (DD) and Allen key (II).

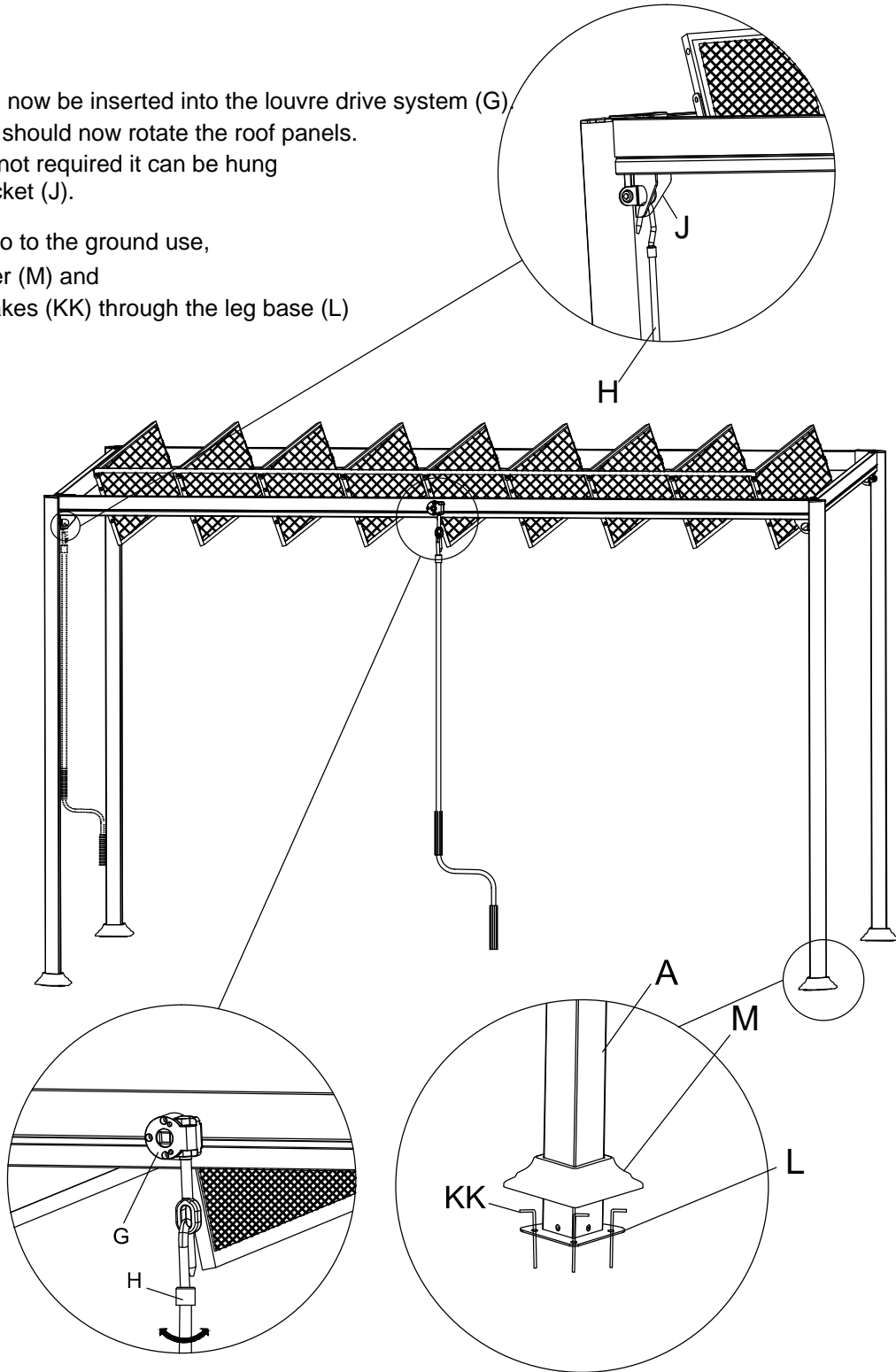


K	1	
DD	9	Ø10*12*M6*16
EE	9	
II	1	

## STEP 10

The handle (H) can now be inserted into the louvre drive system (G).  
 Winding the handle should now rotate the roof panels.  
 When the handle is not required it can be hung  
 from the corner bracket (J).

To secure the gazebo to the ground use,  
 lift the leg base cover (M) and  
 insert the ground stakes (KK) through the leg base (L)



H	1	
KK	12	