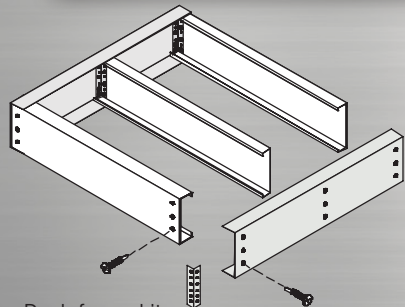
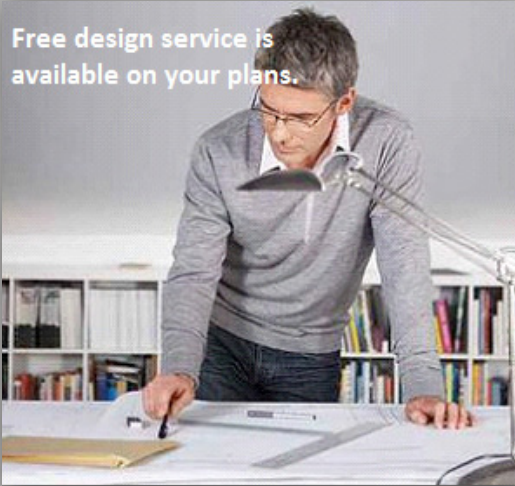


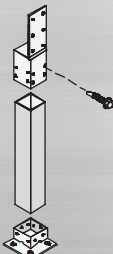
# What about Custom size and shape Decks, light commercial Mezzanine floors or Granny Flats?

- Give your custom sizes, dimensioned drawings or plans to the Special Orders team at Bunnings for a free quote.
- Include all relevant information such as sizes, height(s) and if you are connecting to an existing structure etc.
- Allow 3-5 working days for us to do a design and to receive your Quote from Bunnings.
- Be sure to include your complete contact and job location details.

Free design service is available on your plans.



Deck frame kit  
Pre-cut, screw fixed and certified



Optional Stumps  
Modular & Screw fixed

# Get a price online or give your plans to Bunnings



For a free design and price on your

- \*Deck
- \*Extension
- \*Granny flat or
- \*Mezzanine floor frame

PRICE YOUR OWN DECK ON [WWW.STEELDECKS.COM.AU](http://WWW.STEELDECKS.COM.AU)



**More Choice**  
From Special Orders

**Order through the SPECIAL ORDERS Desk**

# DIY Steel Floor Frame System



**Build your own Deck with Steel-Deck**

Easy to build  
Certified system  
Optional stumps  
Fully screw fixed

Available at  
**BUNNINGS**  
warehouse

# Product Information

Get a price online  
or from Bunnings

Place your order  
with Bunnings

## What is Steel-Deck?

- DIY friendly, certified Steel floor framing system for domestic decks.
- Designed by Steel-MAX Building Systems.
- Delivered directly to site in 10-15 working days in kit form.
- Panels Custom Made sizes up to 12m long x 5m wide.
- Optional stumps are available.
- Optional site specific certification is available.

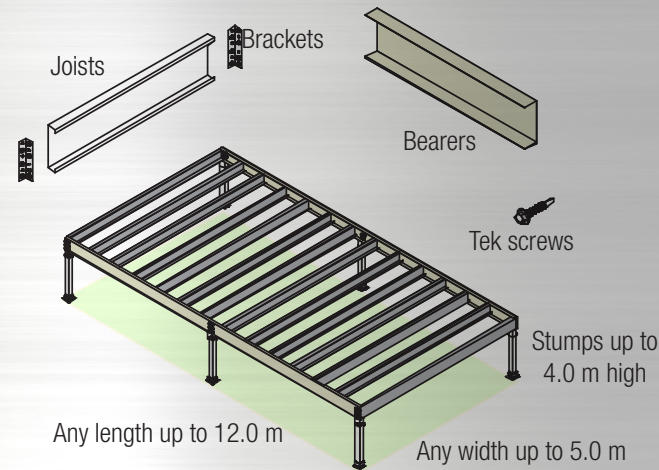
## What you get:

- Galvanised steel channel bearers and joists, cut to length and labelled for ease and speed of installation on site.
- Standard system certification.
- Joist connector brackets
- The system is entirely screw fixed with the tek screws supplied. No welding or special skills or equipment needed.
- Delivery is included to sites with easy access, within a 30 km radius of any Bunnings store.

## Not included:

- Footings and Bracing design or components.
- Design, specification and supply of fixings and fixing methods to footings or existing structures.
- Corrosion protection paint.
- Flooring sheets, boards, decking and fixings for these.
- Installation.
- Delivery to special, remote or difficult sites and locations.

## Components



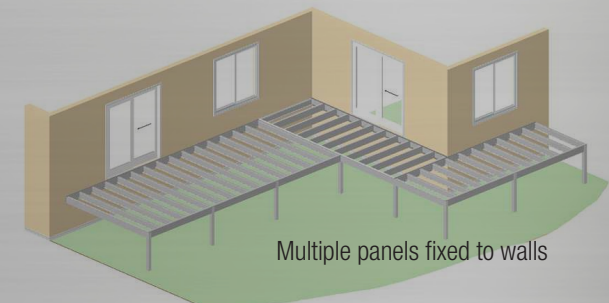
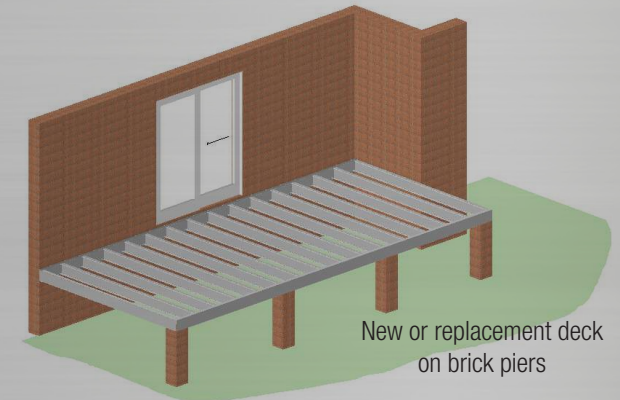
## Example

Deck frame fixed to a wall



Make any combination or size deck needed with any number of individual Panels, of any size up to 12.0 m long x 5.0 m wide.

## Examples



Get a quote online  
[www.steeldecks.com.au](http://www.steeldecks.com.au)