

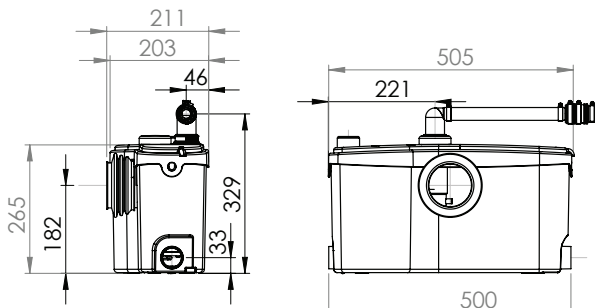
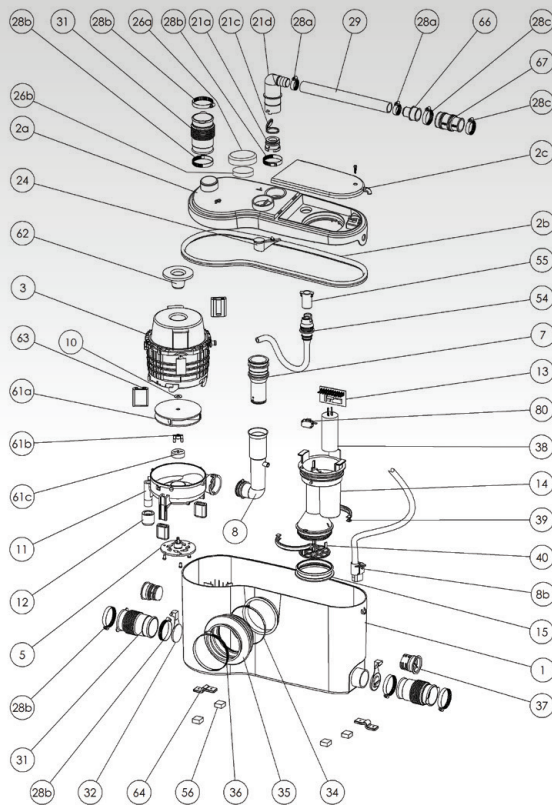
SANIBEST-PRO

SA 100

SANIBEST has been engineered to handle more intensive use in either commercial or domestic situations. It can accept up to 4 fixtures (WC, vanity, shower) making it ideal for use in restaurants, bars or full scale domestic renovations.



2 YEAR WARRANTY



POSSIBLE CONNECTIONS

WC, vanity basin, shower

VERTICAL PUMPING HEIGHT

Up to 7m

HORIZONTAL PUMPING DISTANCE

Up to 110m (refer to pumping graph below)

RECOMMENDED DISCHARGE PIPE DIAMETER

20mm uPVC Pressure Pipe

NORMAL OPERATING TEMPERATURE

35°C

ELECTRICAL POWER SUPPLY

220-240V / 50Hz

MOTOR POWER RATING

1100W

OVERALL MEASUREMENTS (W x H x D)

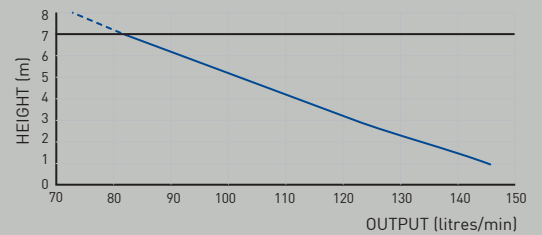
507 x 267.5 x 154mm

ACCESSORIES

- Factory pre mounted non return valve (supplied)
- Can be equipped with SaniAlarm (sold separately) (Isolation valve not supplied)

All horizontal pipework requires a minimum of 1:100 fall

FLOW RATE PERFORMANCE



PUMPING DISTANCE PERFORMANCE

Increase size of horizontal run by one pipe size after 5m

