

# ozito

## BRAD NAILER & STAPLER

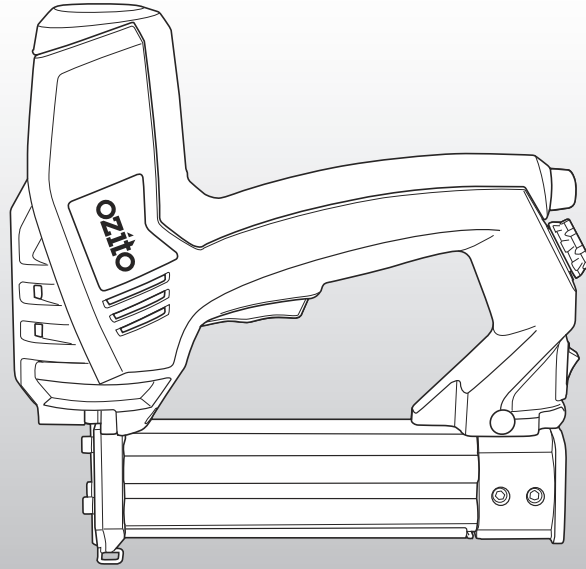
15-30MM

### INSTRUCTION MANUAL

### SPECIFICATIONS

Input:	230-240V ~ 50Hz
Rated Power:	50W
Impact Rate:	20 /min
Magazine Capacity:	50 Nails
Nail Type:	C1 Brad
Nail Length:	15-30mm
Staple Type:	Narrow Crown
Staple Length:	15-25mm
Weight:	1.6kg

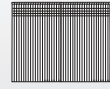
ozito.com.au



### WHAT'S IN THE BOX



Brad Nailer & Stapler



Nails x 500



Staples x 500



Hex Key

**3** YEAR REPLACEMENT WARRANTY

NSG-5000

## WARRANTY

IN ORDER TO MAKE A CLAIM UNDER THIS WARRANTY YOU MUST RETURN THE PRODUCT TO YOUR NEAREST BUNNINGS WAREHOUSE WITH YOUR BUNNINGS REGISTER RECEIPT. PRIOR TO RETURNING YOUR PRODUCT FOR WARRANTY PLEASE TELEPHONE OUR CUSTOMER SERVICE HELPLINE:

**Australia 1800 069 486**

**New Zealand 0508 069 486**

TO ENSURE A SPEEDY RESPONSE PLEASE HAVE THE MODEL NUMBER AND DATE OF PURCHASE AVAILABLE. A CUSTOMER SERVICE REPRESENTATIVE WILL TAKE YOUR CALL AND ANSWER ANY QUESTIONS YOU MAY HAVE RELATING TO THE WARRANTY POLICY OR PROCEDURE.

The benefits provided under this warranty are in addition to other rights and remedies which are available to you at law.

Our goods come with guarantees that cannot be excluded at law. You are entitled to a replacement or refund for a major failure and for compensation for any other reasonably foreseeable loss or damage. You are also entitled to have the goods repaired or replaced if the goods fail to be of acceptable quality and the failure does not amount to a major failure.

Generally you will be responsible for all costs associated with a claim under this warranty, however, where you have suffered any additional direct loss as a result of a defective product you may be able to claim such expenses by contacting our customer service helpline above.

### 3 YEAR REPLACEMENT WARRANTY

Your product is guaranteed for a period of **36 months from the original date of purchase** and is intended for DIY (Do It Yourself) use only. If a product is defective it will be replaced in accordance with the terms of this warranty. Warranty excludes consumable parts, for example: staples, nails, etc.

### WARNING

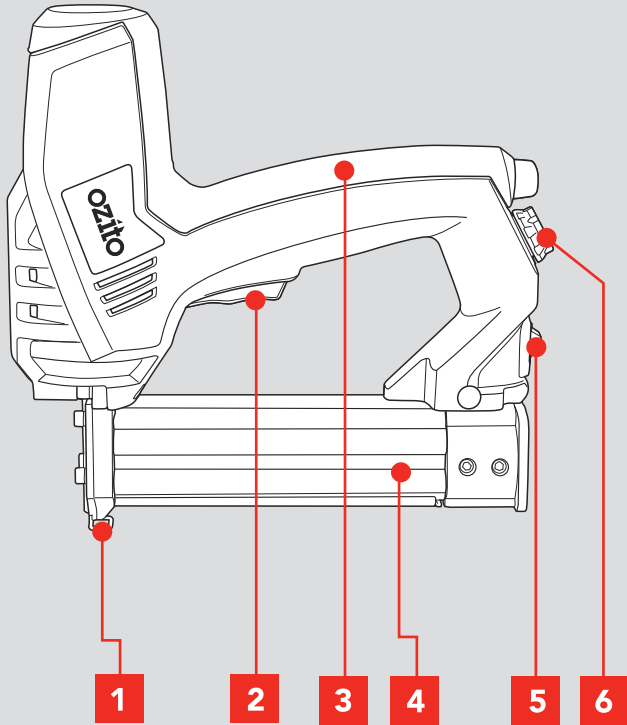
**The following actions will result in the warranty being void.**

- If the tool has been operated on a supply voltage other than that specified on the tool.
- If the tool shows signs of damage or defects caused by or resulting from abuse, accidents or alterations.
- Failure to perform maintenance as set out within the instruction manual.
- If the tool is disassembled or tampered with in any way.
- Professional, industrial or high frequency use.

# KNOW YOUR PRODUCT

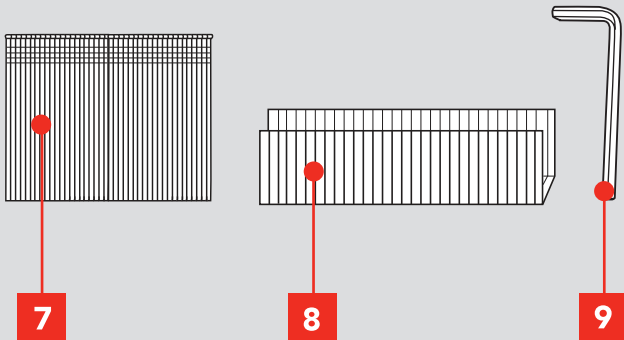
## 2 IN 1 BRAD NAILER AND STAPLER

- |                      |                                  |
|----------------------|----------------------------------|
| 1 Safety Striker Pin | 4 Magazine                       |
| 2 On/off Trigger     | 5 Power Switch                   |
| 3 Handle             | 6 Variable Depth Adjustment Dial |



## ACCESSORIES

- |                      |           |
|----------------------|-----------|
| 7 20mm Nails x 500   | 9 Hex Key |
| 8 20mm Staples x 500 |           |



## ONLINE MANUAL

Scan this QR Code with your mobile device to take you to the online manual.

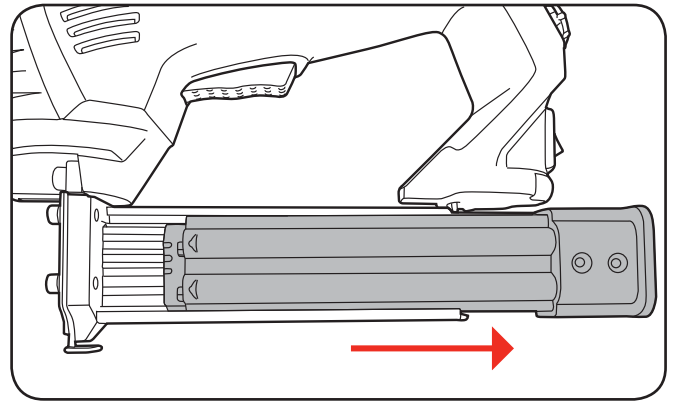


# SETUP & PREPARATION

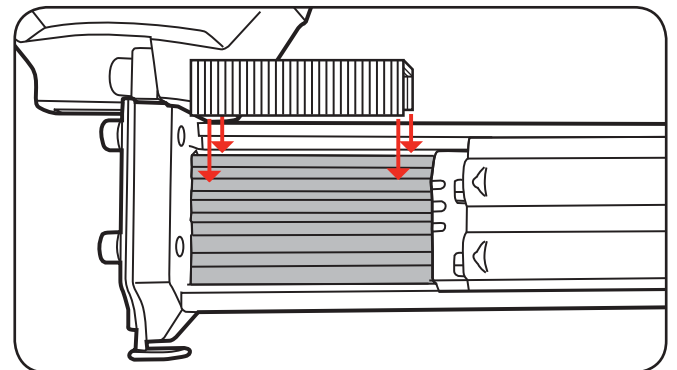
## 1. LOADING STAPLES

Ensure the tool is disconnected from the power supply before performing any of the following operations.

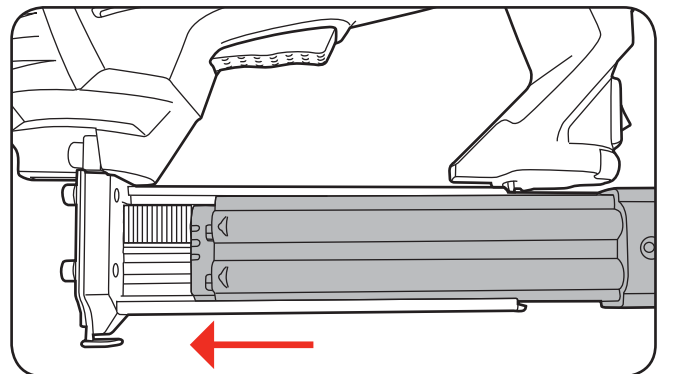
1. Squeeze the magazine latch and pull the magazine away from the tool.



2. Slide a row of staples over the middle of the magazine so that the staples straddle the inner chamber.



3. Close the magazine, ensuring it clicks into place.



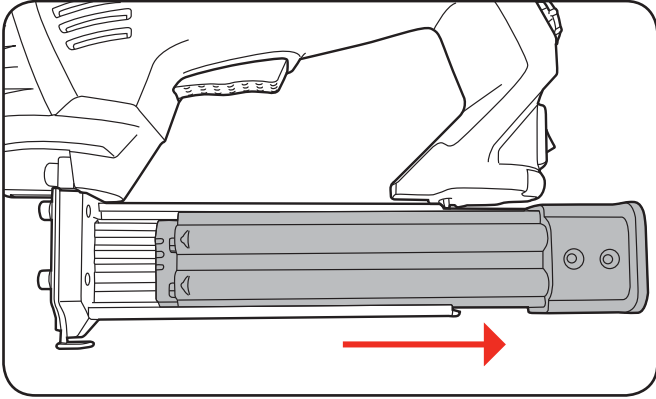
# 3

YEAR REPLACEMENT WARRANTY

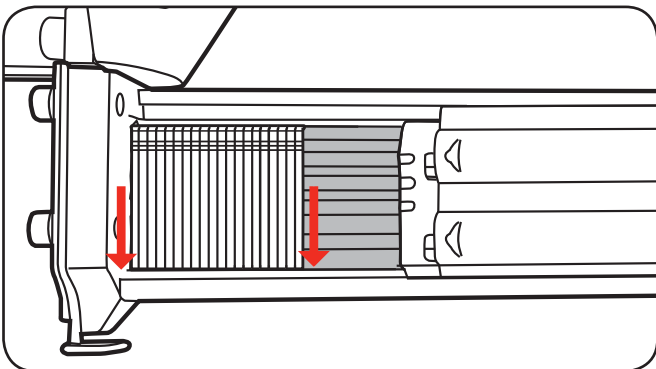
# OPERATION

## 2. LOADING NAILS

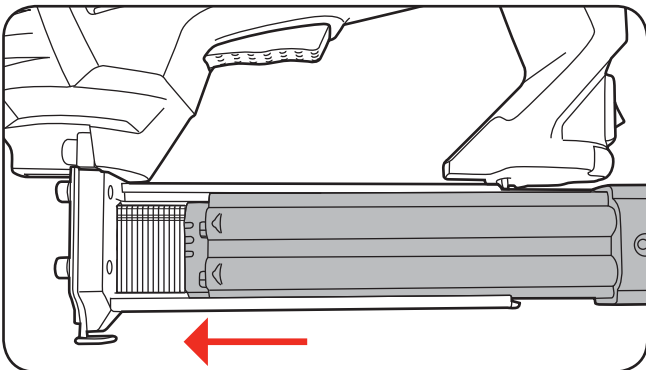
1. Squeeze the magazine latch and pull the magazine away from the tool.



2. Insert a row of nails into the second track of the magazine. The nails should be flush against the inner chamber.



3. Close the magazine, ensuring it clicks into place.



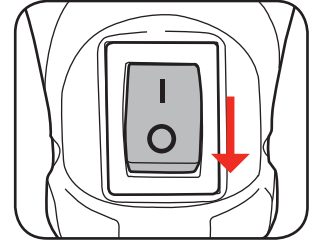
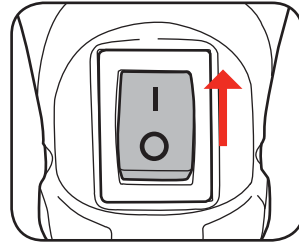
**Note:** IF THE MAGAZINE WILL NOT CLOSE, THE MAGAZINE MAY BE OVER CAPACITY. REMOVE SOME NAILS/ STAPLES THEN TRY TO CLOSE AGAIN.

## 3. CONTROLS

The tool is recommended for use with a residual current device with a rated residual current of 30mA or less.

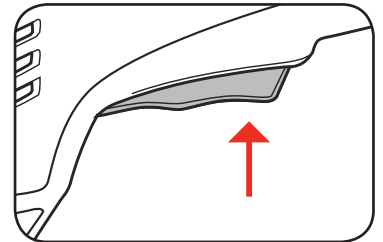
### Power Switch

1. To supply the tool with power, flick the power switch to the "I" position.
2. To turn off, flick the power switch to the "0" position.



### On/off Trigger

To fire the nail and staple gun, squeeze the on/off trigger.

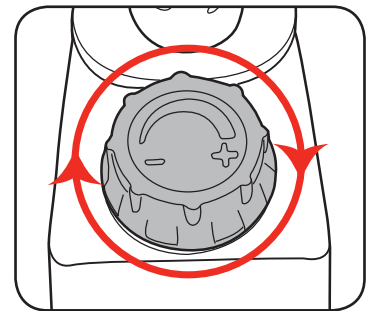


### Variable Depth Adjustment Dial

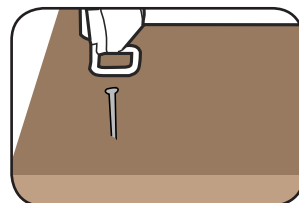
The variable depth adjustment dial allows you to control the depth at which the nail gun fires a nail or staple.

To increase depth, turn the variable depth adjustment dial toward the "+" symbol.

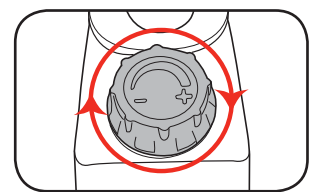
To decrease depth, turn the dial to the "-" symbol.



1. To find the correct depth setting, fire a nail into a scrap piece of material.

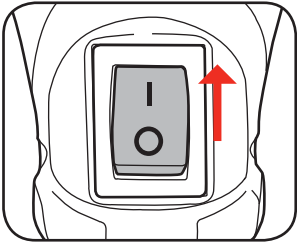


2. Adjust the dial and fire another nail. Repeat until the nail is driven flush with the work surface.

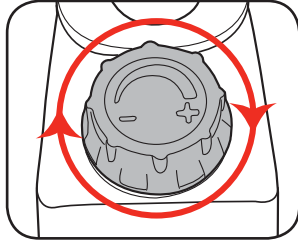


## 4. OPERATING THE NAIL GUN

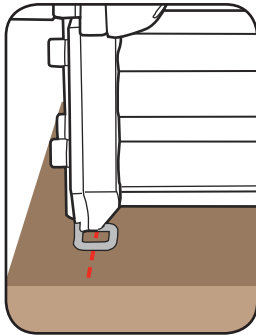
1. Push the power switch to the "I" position.



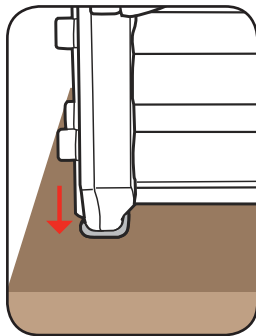
2. Set the variable depth adjustment dial.



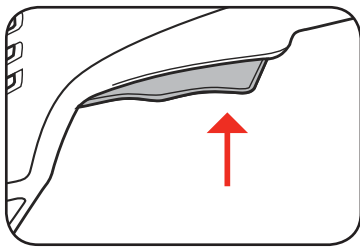
3. Place the staple nail gun against the work surface so that the nosepiece of the tool is where you want the staple/nail to be located.



4. Push the tool firmly down on the work surface to depress the safety striker pin.



5. Squeeze the trigger switch to fire a staple/nail.



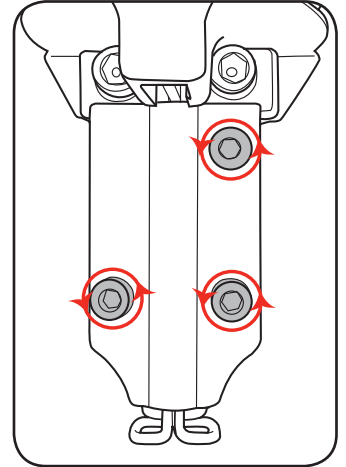
**NOTE:** The on/off trigger cannot be squeezed unless the safety striker pin is fully depressed.

## 5. TROUBLESHOOTING

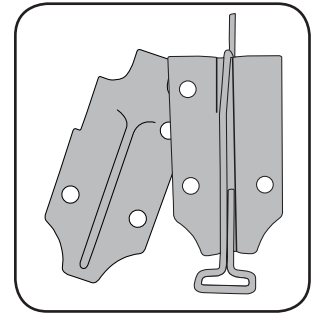
### Clearing Jammed Nails/Staples

Ensure the tool is disconnected from the power supply before performing any of the following operations.

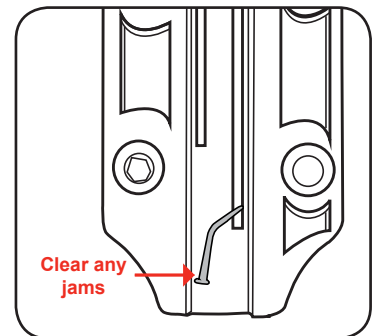
1. Remove the three screws on gun head.



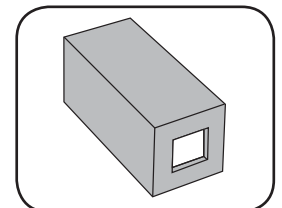
2. Remove the two plates from the front of the gun.



3. Remove any staples or nails that may be causing the jam.







4. Reassemble the nail gun. Be sure not to lose the square plastic cap. **If you reassemble the nail gun without this piece, the safety striker pin will not depress and the gun will not fire.**



# MAINTENANCE

- Keep the ventilation vents of the nail gun clean at all times, if possible, prevent foreign matter from entering the vents.
- After each use, blow air through the nail gun housing to ensure it is free from all dust particles which may build up. Build up of dust particles may cause the nail gun to overheat and fail.
- If the enclosure of the nail gun requires cleaning, do not use solvents but a moist soft cloth only. Never let any liquid get inside the nail gun; never immerse any part of the nail gun into a liquid.

# DESCRIPTION OF SYMBOLS

<b>V</b>	Volts	<b>Hz</b>	Hertz
<b>~</b>	Alternating current	<b>W</b>	Watts
<b>/min</b>	Revolutions or reciprocation per minute	<b>no</b>	No load speed
	Double insulated		Regulator compliance mark
	Warning		Read instruction manual

# CARING FOR THE ENVIRONMENT



Power tools that are no longer usable should not be disposed of with household waste but in an environmentally friendly way. Please recycle where facilities exist. Check with your local council authority for recycling advice.



Recycling packaging reduces the need for landfill and raw materials. Reuse of recycled material decreases pollution in the environment. Please recycle packaging where facilities exist. Check with your local council authority for recycling advice.

# ELECTRICAL SAFETY



**WARNING!** When using mains-powered tools, basic safety precautions, including the following, should always be followed to reduce risk of fire, electric shock, personal injury and material damage.

Read the whole manual carefully and make sure you know how to switch the tool off in an emergency, before operating the tool.

Save these instructions and other documents supplied with this tool for future reference.

The electric motor has been designed for 230V and 240V only. Always check that the power supply corresponds to the voltage on the rating plate.

Note: The supply of 230V and 240V on Ozito tools are interchangeable for Australia and New Zealand.



This tool is double insulated; therefore no earth wire is required.

If the supply cord is damaged, it must be replaced by an electrician or a power tool repairer in order to avoid a hazard.

**Note:** Double insulation does not take the place of normal safety precautions when operating this tool. The insulation system is for added protection against injury resulting from a possible electrical insulation failure within the tool.

## Using an Extension Lead

Always use an approved extension lead suitable for the power input of this tool. Before use, inspect the extension lead for signs of damage, wear and ageing. Replace the extension lead if damaged or defective.

When using an extension lead on a reel, always unwind the lead completely. Use of an extension lead not suitable for the power input of the tool or which is damaged or defective may result in a risk of fire and electric shock.

# TROUBLESHOOTING

## Sparking visible through the housing air vents

A small amount of sparking may be visible through the housing vents. This is normal and does not indicate a problem.

## Nail gun fires but the nail does not enter the workpiece

The variable depth adjustment dial may be set too low. Increase the variable depth adjustment dial setting and try again.

## Nail gun does not fire

Check that the safety striker pin is fully depressed. If it is and the gun still does not fire, please contact Ozito Customer Service.

## The magazine will not close

The magazine chamber may be over capacity. Remove some nails/ staples then try to close the magazine again.

# SPARE PARTS

Plastic Cap SPNSG5000-15

Switch SPNSG5000-43

Variable Depth Adjustment SPNSG5000-44

**Spare parts can be ordered from the Special Orders Desk at your local Bunnings Warehouse.**

**For further information, or any parts not listed here, visit [www.ozito.com.au](http://www.ozito.com.au) or contact Ozito Customer Service:**

**Australia 1800 069 486**

**New Zealand 0508 069 486**

**E-mail: [enquires@ozito.com.au](mailto:enquires@ozito.com.au)**

# ⚠️ GENERAL POWER TOOL SAFETY WARNINGS - PERSONAL SAFETY

**WARNING!** Read all safety warnings and all instructions. Failure to follow the warnings and instructions may result in electric shock, fire and/or serious injury. Save all warnings and instructions for future reference. The term "power tool" in the warnings refers to your mains-operated (corded) power tool or battery-operated (cordless) power tool.

## 1. Work area safety

- Keep work area clean and well lit. Cluttered or dark areas invite accidents.
- Do not operate power tools in explosive atmospheres, such as in the presence of flammable liquids, gases or dust. Power tools create sparks which may ignite the dust or fumes.
- Keep children and bystanders away while operating a power tool. Distractions can cause you to lose control.

## 2. Electrical safety

- Power tool plugs must match the outlet. Never modify the plug in any way. Do not use any adapter plugs with earthed (grounded) power tools. Unmodified plugs and matching outlets will reduce risk of electric shock.
- Avoid body contact with earthed or grounded surfaces, such as pipes, radiators, ranges and refrigerators. There is an increased risk of electric shock if your body is earthed or grounded.
- Do not expose power tools to rain or wet conditions. Water entering a power tool will increase the risk of electric shock.
- Do not abuse the cord. Never use the cord for carrying, pulling or unplugging the power tool. Keep cord away from heat, oil, sharp edges or moving parts. Damaged or entangled cords increase the risk of electric shock.
- When operating a power tool outdoors, use an extension cord suitable for outdoor use. Use of a cord suitable for outdoor use reduces the risk of electric shock.
- If operating a power tool in a damp location is unavoidable, use a residual current device (RCD) protected supply. Use of an RCD reduces the risk of electric shock.

## 3. Personal safety

- Stay alert, watch what you are doing and use common sense when operating a power tool. Do not use a power tool while you are tired or under the influence of drugs, alcohol or medication. A moment of inattention while operating power tools may result in serious personal injury.
- Use personal protective equipment. Always wear eye protection. Protective equipment such as dust mask, non-skid safety shoes, hard hat, or hearing protection used for appropriate conditions will reduce personal injuries.
- Prevent unintentional starting. Ensure the switch is in the off-position before connecting to power source and/or battery pack, picking up or carrying the tool. Carrying power tools with your finger on the switch or energising power tools that have the switch on invites accidents.

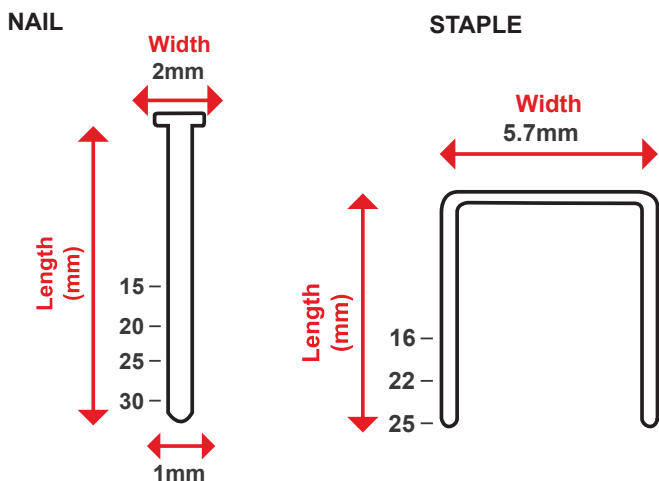
- Remove any adjusting key or wrench before turning the power tool on. A wrench or a key left attached to a rotating part of the power tool may result in personal injury.
  - Do not overreach. Keep proper footing and balance at all times. This enables better control of the power tool in unexpected situations.
  - Dress properly. Do not wear loose clothing or jewellery. Keep your hair, clothing and gloves away from moving parts. Loose clothes, jewellery or long hair can be caught in moving parts.
  - If devices are provided for the connection of dust extraction and collection facilities, ensure these are connected and properly used. Use of dust collection can reduce dust-related hazards.
- ## 4. Power tool use and care
- Do not force the power tool. Use the correct power tool for your application. The correct power tool will do the job better and safer at the rate for which it was designed.
  - Do not use the power tool if the switch does not turn it on and off. Any power tool that cannot be controlled with the switch is dangerous and must be repaired.
  - Disconnect the plug from the power source and/or the battery pack from the power tool before making any adjustments, changing accessories, or storing power tools. Such preventive safety measures reduce the risk of starting the power tool accidentally.
  - Store idle power tools out of the reach of children and do not allow persons unfamiliar with the power tool or these instructions to operate the power tool. Power tools are dangerous in the hands of untrained users.
  - Maintain power tools. Check for misalignment or binding of moving parts, breakage of parts and any other condition that may affect the power tool's operation. If damaged, have the power tool repaired before use. Many accidents are caused by poorly maintained power tools.
  - Keep cutting tools sharp and clean. Properly maintained cutting tools with sharp cutting edges are less likely to bind and are easier to control.
  - Use the power tool, accessories and tool bits etc. in accordance with these instructions, taking into account the working conditions and the work to be performed. Use of the power tool for operations different from those intended could result in a hazardous situation.
- ## 5. Service
- Have your power tool serviced by a qualified repair person using only identical replacement parts. This will ensure that the safety of the power tool is maintained.
  - If the supply cord is damaged, it must be replaced by the manufacturer, its service agent or similarly qualified persons in order to avoid a hazard.

# ⚠️ NAILER SAFETY WARNINGS

- Always assume that the tool contains fasteners. Careless handling of the nailer or stapler can result in unexpected firing of fasteners and personal injury.
- Do not point the tool towards yourself or anyone nearby. Unexpected triggering will discharge the fastener causing an injury.
- Do not actuate the tool unless the tool is placed firmly against the workpiece. If the tool is not in contact with the workpiece, the fastener may be deflected away from your target.
- Disconnect the tool from the power source when the fastener jams in the tool. While removing a jammed fastener, the nailer or stapler may be accidentally activated if it is plugged in.
- Do not use this nailer or stapler for fastening electrical cables. It is not designed for electric cable installation and may damage the insulation of electric cables thereby causing electric shock or fire hazards.

# STAPLE/NAIL COMPATIBILITY

The NSG-5000 accepts nails and staples with the below measurements



**PLEASE NOTE:** The NSG-5000 does not accept cable or round "U" shaped nails. Only attempt to use staples with the measurements outlined in this manual.

C1 BRAD NAILS		
Size	Compatible	Available at Bunnings
15mm	✓	✓
20mm	✓	✓
25mm	✓	✓
30mm	✓	✗
NARROW CROWN STAPLES		
16mm	✓	✓
22mm	✓	✓
25mm	✓	✗