

GENERAL INSTRUCTIONS

- Before commencing any assembly, read through these instructions in detail to gain a thorough understanding of assembly methods and associated details.
- Unpack the carton and carefully identify and check off all the parts against the parts described and illustrated on "COMPONENTS PACKING LIST" pages.

SITE PREPARATION

- The site for the shed must be level. An uneven surface may result in misalignment of parts.
- The shed shall be erected on top of a reinforced concrete slab and anchored down appropriately illustrated on "FINAL CONSTRUCTION" page.

TOOLS REQUIRED



SAFETY NOTES

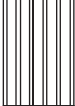
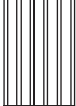
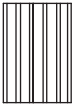
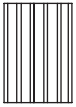
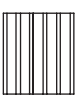
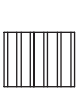
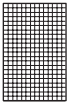
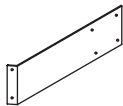

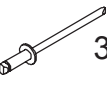
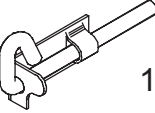
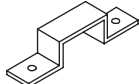




- Some parts may have sharp edges. It is advisable to wear gloves when handling these items and safety glasses if drilling holes. Sensible shoes are highly recommended.
- Do not erect your shed in windy conditions.
- Ensure that the shed is securely anchored to a solid foundation immediately after construction is completed.
- It is highly recommended to erect the shed with two or more people.

RECOMMENDED



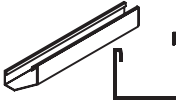
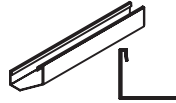
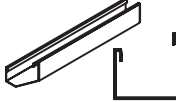

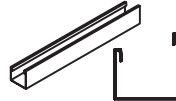

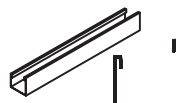

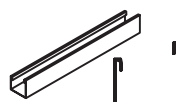

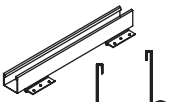
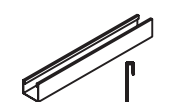
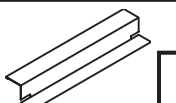
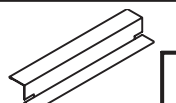
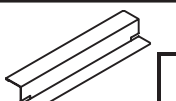

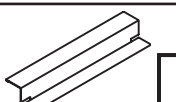
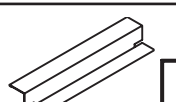
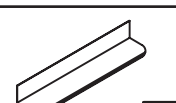
COMPONENT PACKING LIST

Check off all components.

SHEETING							
QTY	COMPONENT DESCRIPTION	PART No.	CHK	QTY	COMPONENT DESCRIPTION	PART No.	CHK
1	 STEEL SHEET 1785 x 773mm	30A		1	 STEEL SHEET 1785 x 773mm	30E	
1	 STEEL SHEET 1785 x 773mm	30G		1	 STEEL SHEET 1725 x 711mm	37A	
2	 STEEL SHEET 1592 x 773mm	43A		4	 STEEL SHEET 600 x 773mm	31D	
4	 MESH SHEET 1195 x 705mm	MESH20					
INSTRUCTIONS AND FITTINGS PACKET							
1	 DOOR PLATE	12A		1	 8G x 3/8" SELF TAPPING SCREW PACK QTY 220	FAST001	
6	 3mm POP RIVET	FAST009		1	INSTRUCTION MANUAL	IM	
1	 PADBOLT 115mm LONG	FAST006		1	 PADBOLT HASP	FAST007	
6	 3/16 x 1/2" CSK SCREW & NUT	FAST004 FAST005		1	 PHILLIPS HD DRIVER BIT	FAST038	
1	 3mm DRILL BIT	DRILL		15	 8G x 20mm SELF TAPPING SCREW	FAST013	

COMPONENT PACKING LIST

Check off all components.

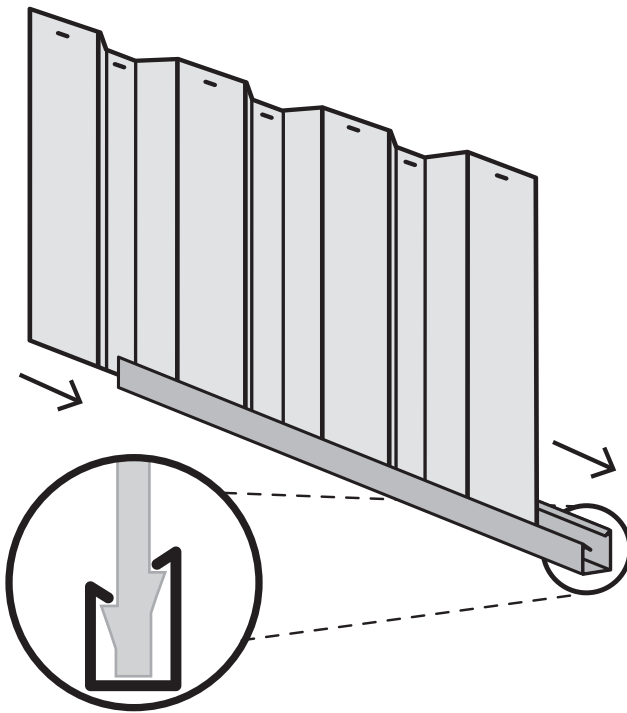
CHANNEL PACK							
QTY	COMPONENT DESCRIPTION	PART No.	CHK	QTY	COMPONENT DESCRIPTION	PART No.	CHK
3	 CHANNEL 1785mm	80L		1	 CHANNEL 1513mm	81F	
1	 CHANNEL 1513mm	53C		2	 CHANNEL 1488mm	53T	
2	 CHANNEL 1498mm	150		2	 CHANNEL 1498mm	151	
8	 CHANNEL 712mm	181		2	 CHANNEL 1513mm	81E	
2	 CHANNEL 712mm	58M		1	 CHANNEL 1725mm	58B	
1	 CHANNEL 1725mm	58A		1	 CHANNEL 720mm	54G	
1	 JAMB 1785mm	89A		1	 JAMB 1204mm	70E	
1	 JAMB 1785mm	89B		2	 JAMB 1080mm	91E	
7	 JAMB 1785mm	70D		1	 JAMB 1785mm	91D	
2	 LIP TRIM 847mm	88A					

SNAPTITE ASSEMBLY GUIDE

The Snaptite Assembly System locks end channels to all roof and wall sheets without the need for tools and fasteners.

To assemble each panel, the perimeter channels are secured to the top and bottom of each panel. Gently tap the channel over the SNAPTITE lugs on the sheet, working along the sheet.

Each perimeter channel must finish flush with the edges of the sheets. Simply tap the channel along the sheets until each end is neatly flush. If you need to remove channels from the panels, slide it off from the side.



SNAPTITE
World's Easiest Assembly System
UNIQUE PATENTED SYSTEM

Channel locks the shed panel into position without the need for screws!

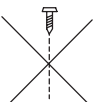
FASTENING SYMBOLS

SNAPTITE

Secure channel to sheeting by SNAPTITE fastening method.



Join components together with one screw at this location only, as some channels have extra holes that are not required for this model of shed.



Do not join components together at this location yet, as the screws may obstruct further assembly of the other components.



Join components together by pre-drilling the holes first. Use one component as template to mark where the holes are and drill with a 3mm drill bit.



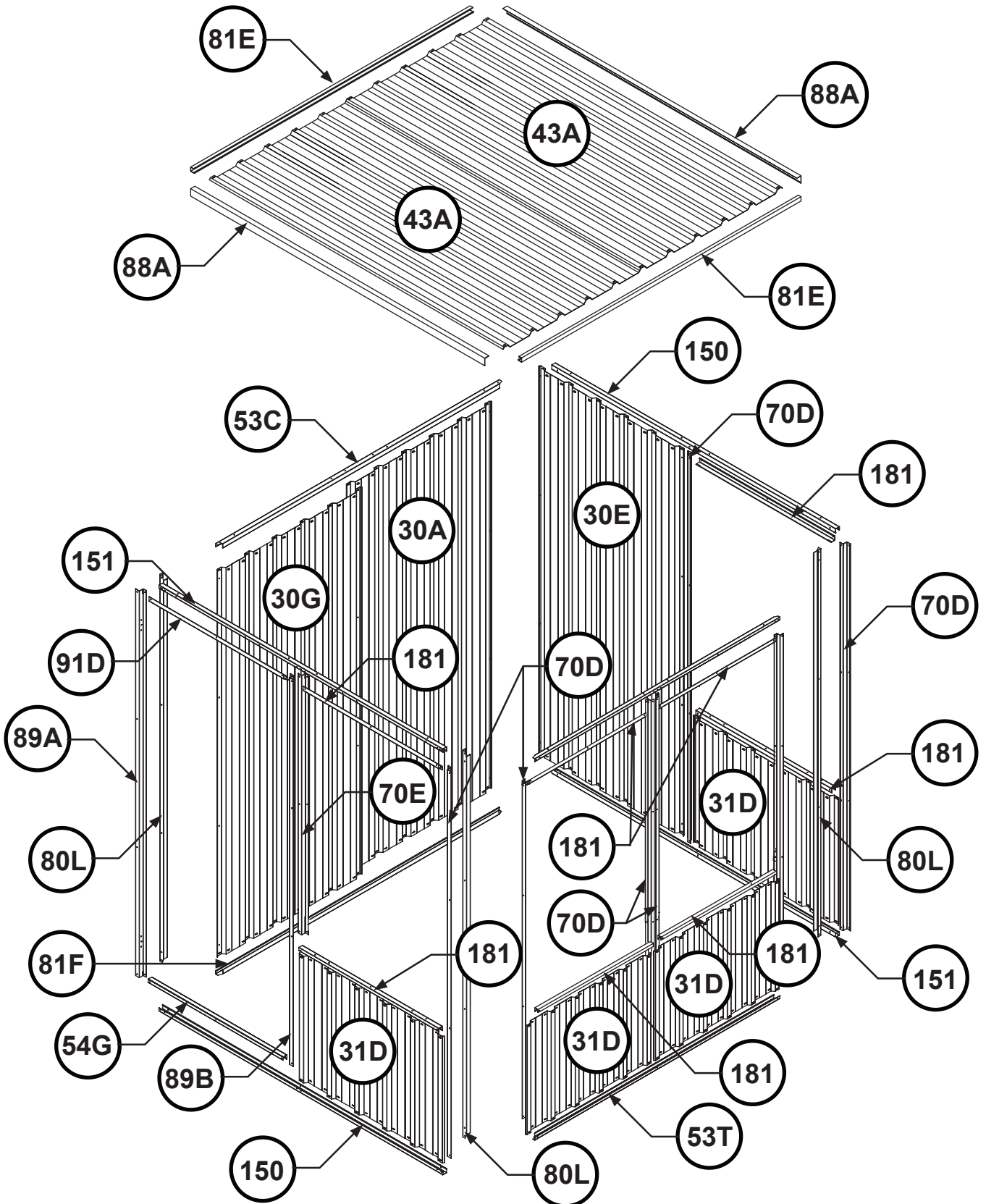
3mm pop rivet



4mm nut and bolt set.

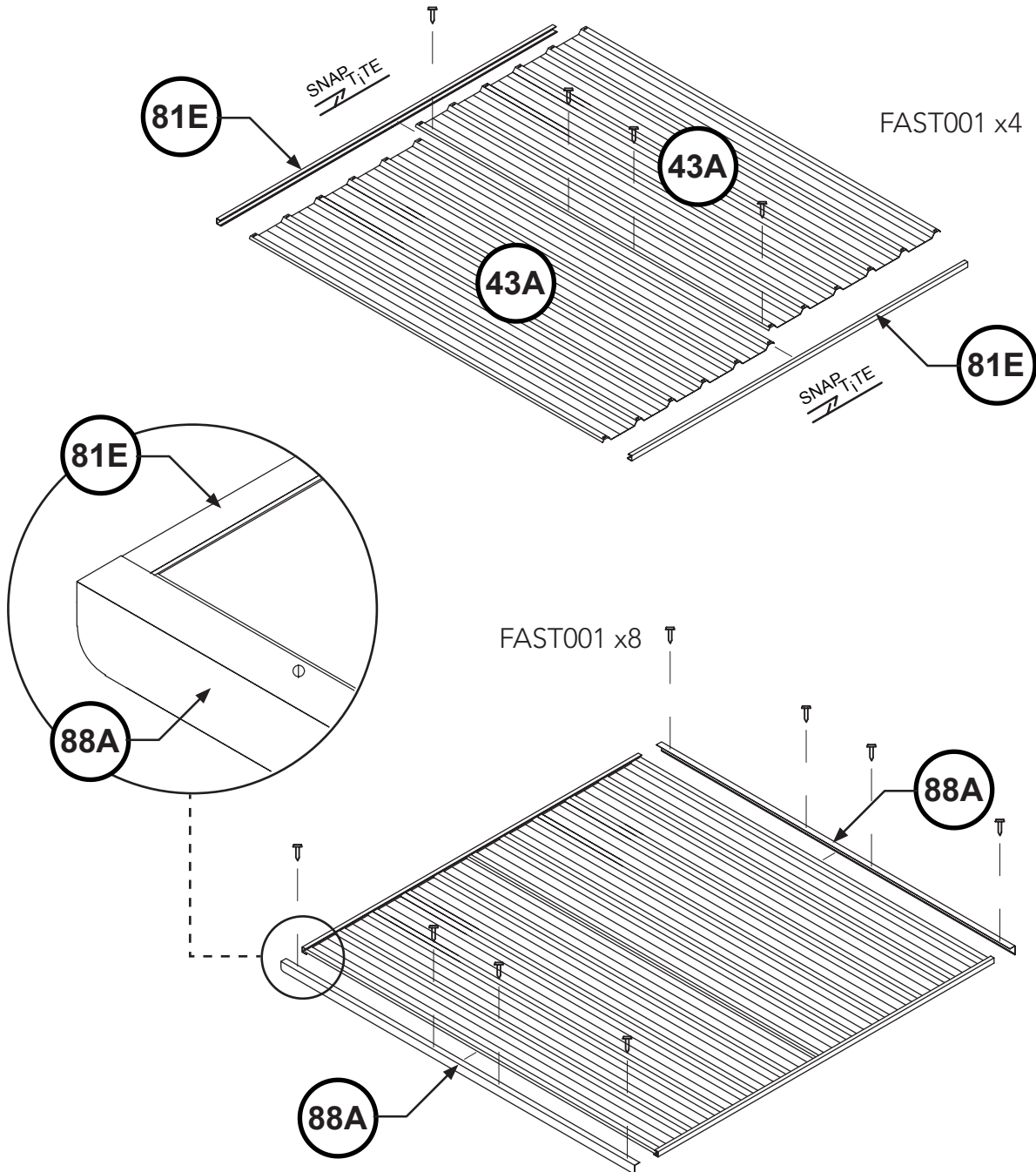
ROOF AND WALL OVERVIEW

Door and mesh panels not shown for illustrative purposes.



ROOF PANEL ASSEMBLY

1x required



DOOR PANEL ASSEMBLY

1x required

FAST001 x12

Narrow pan of sheet to this side

SNAP TITE

58M

Position 12A midway along the door.

58A

12A

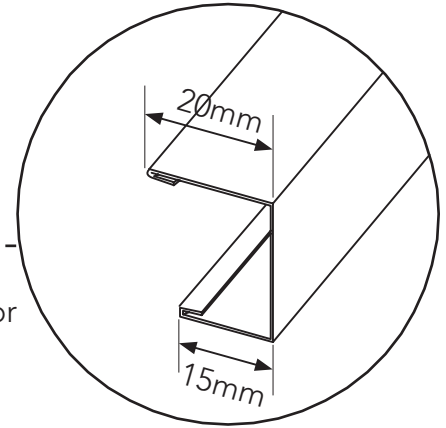
37A

58B

58M

SNAP TITE

Side channels of door are to be orientated opposite to top and bottom channels.



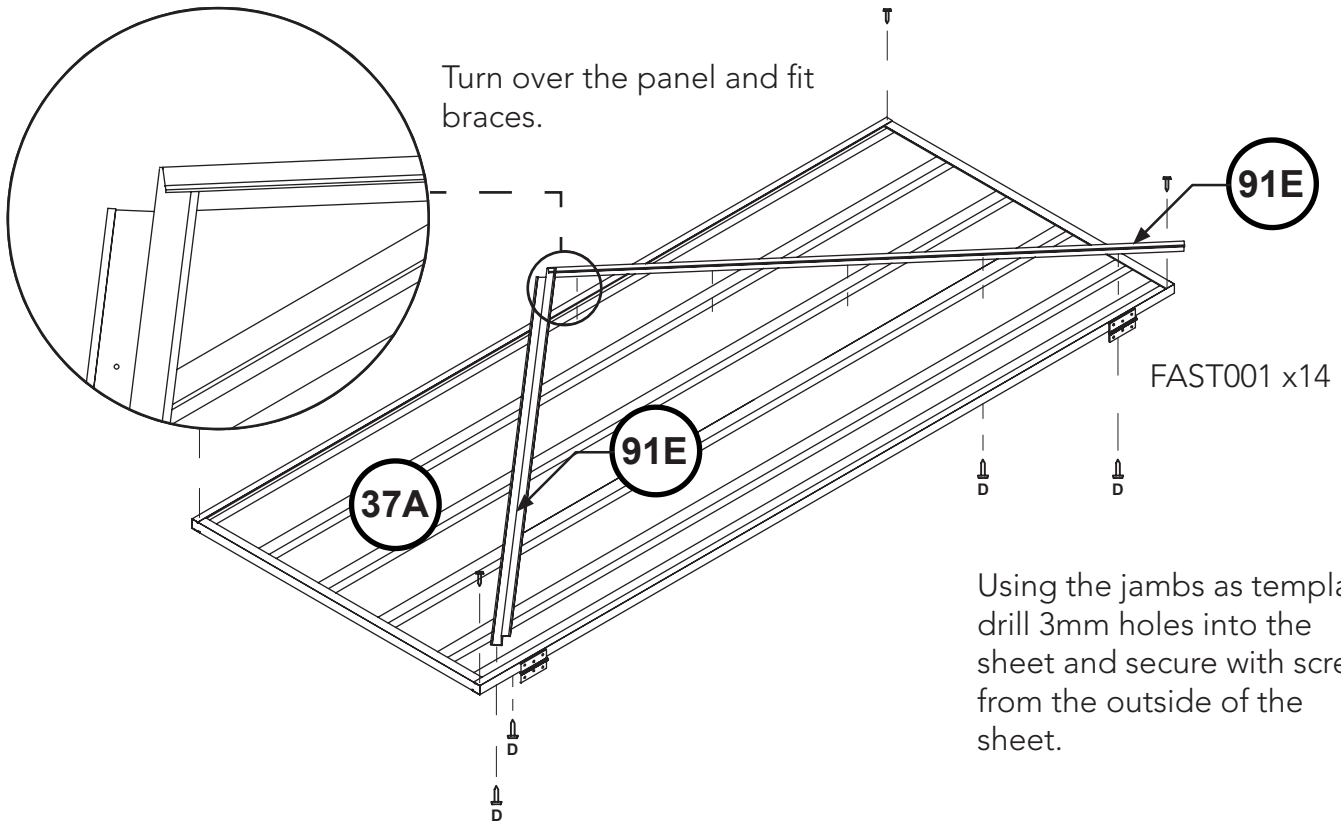
20mm flange

15mm flange

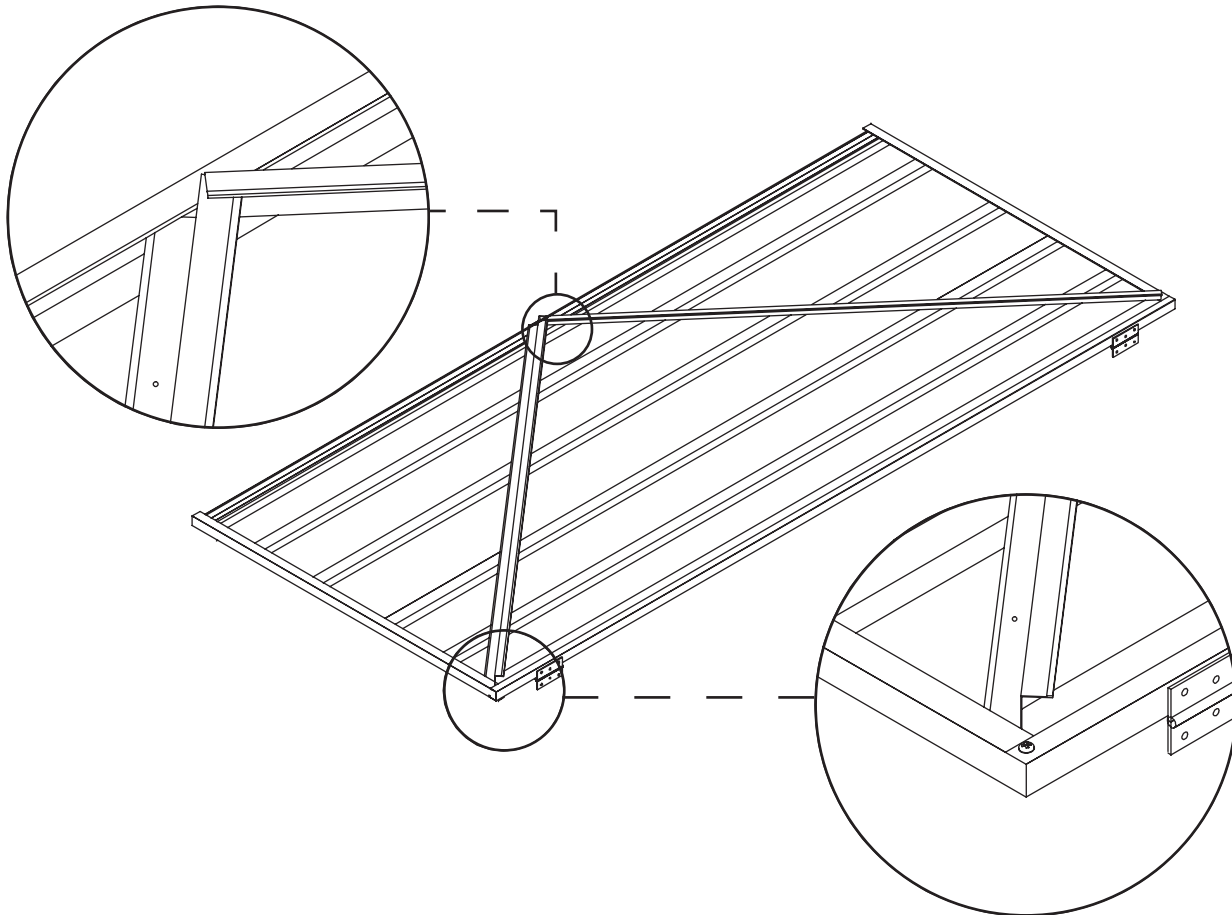
FAST001 x4

FAST006

Side channels are positioned behind top and bottom channel.



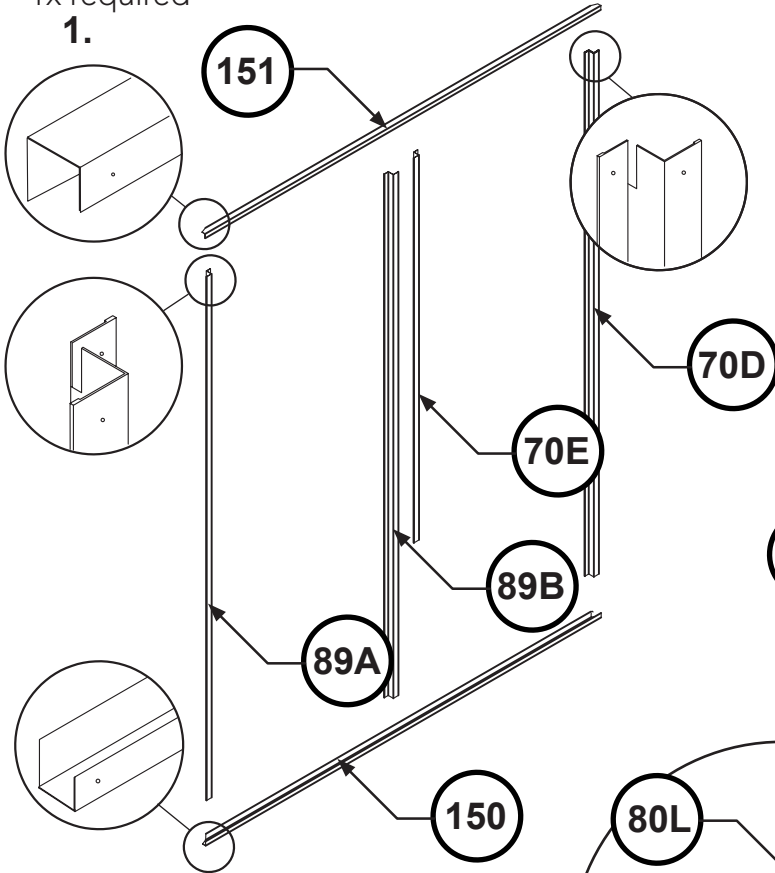
Using the jambs as templates drill 3mm holes into the sheet and secure with screws from the outside of the sheet.



LEFT SIDE PANEL

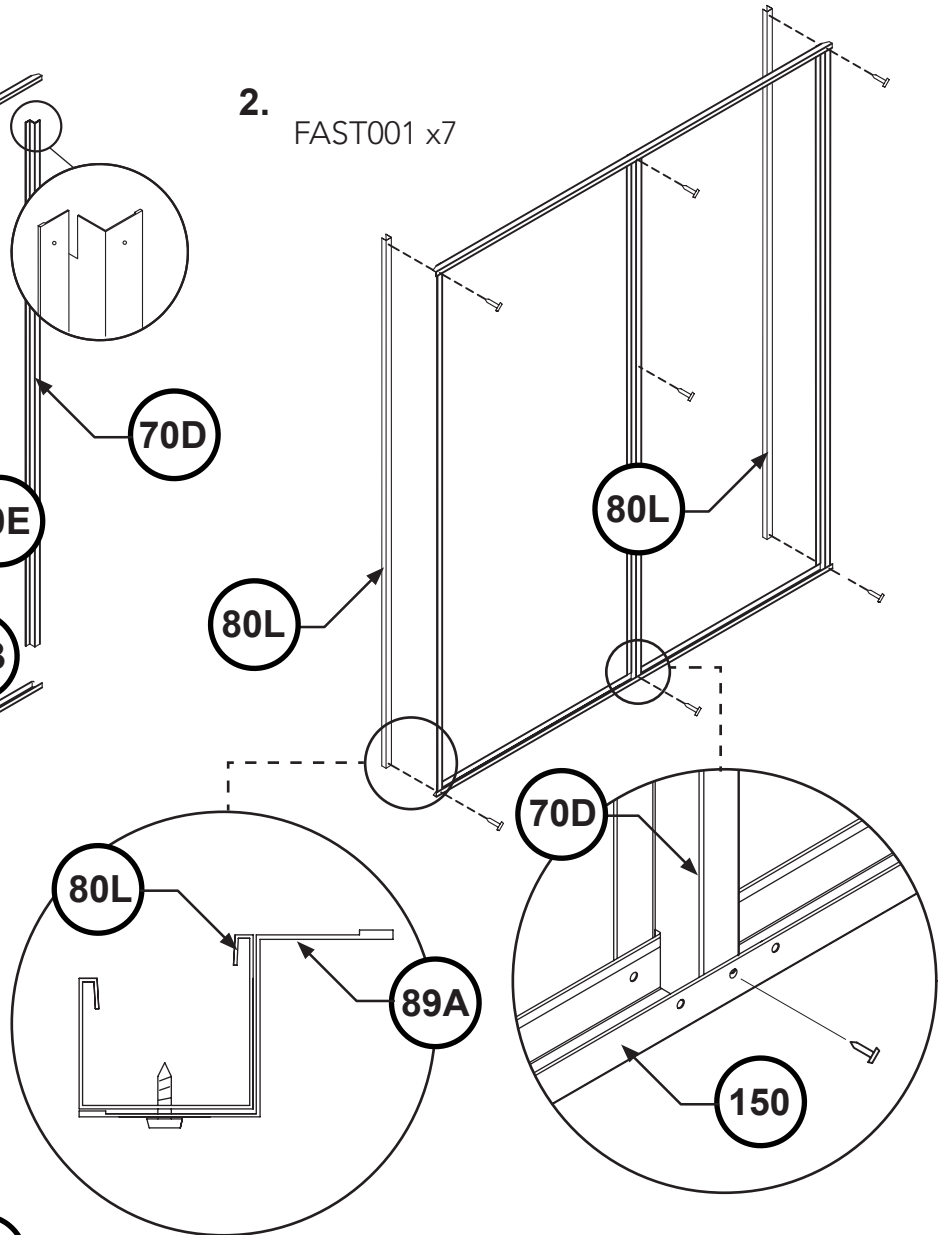
1x required

1.



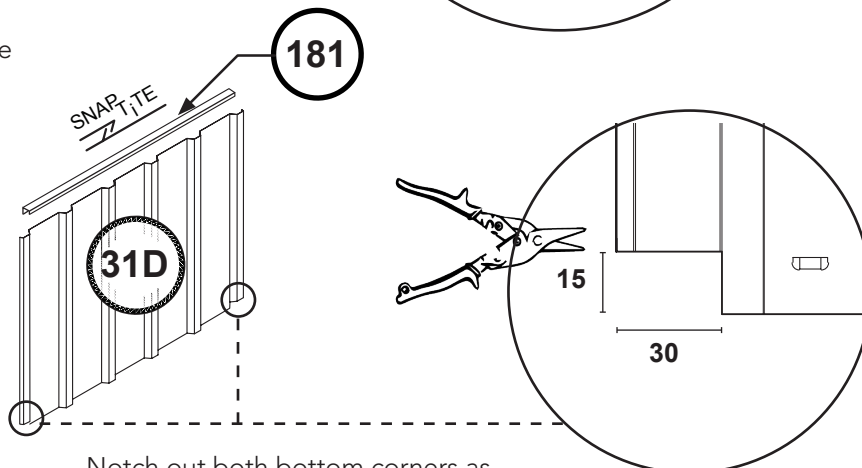
2.

FAST001 x7



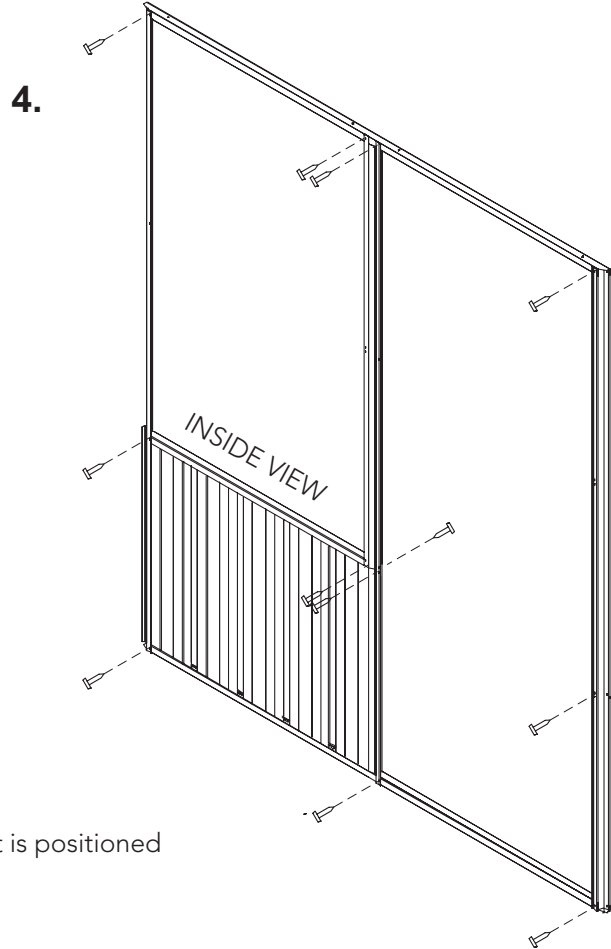
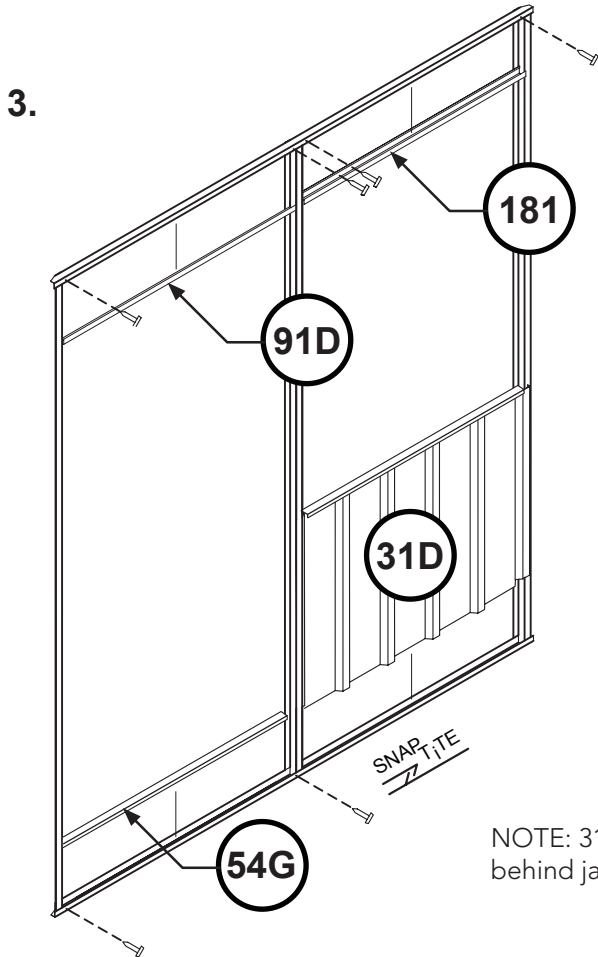
3.

Prepare one short sheet



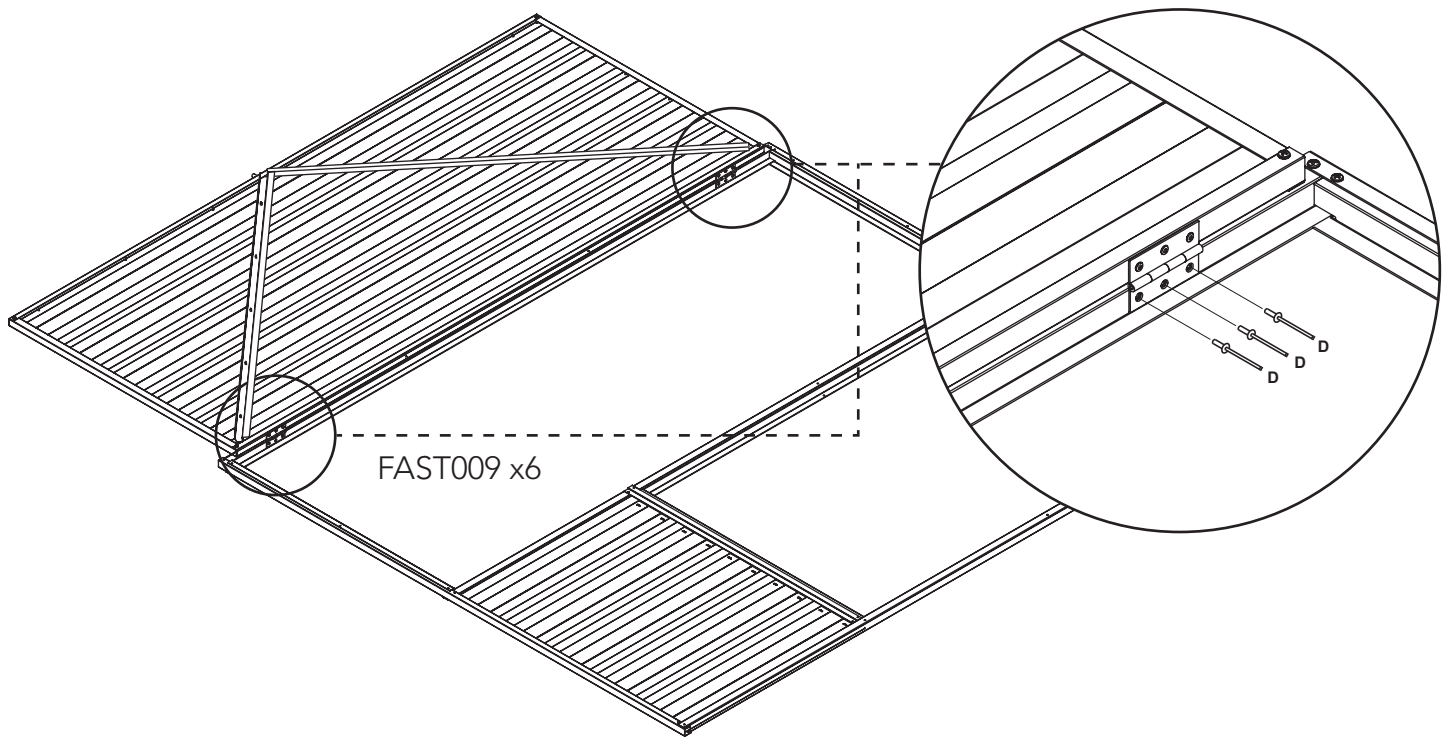
Notch out both bottom corners as shown using tinsnips.

LEFT SIDE PANEL



NOTE: 31D sheet is positioned behind jamb 89B

DOOR PANEL ASSEMBLY



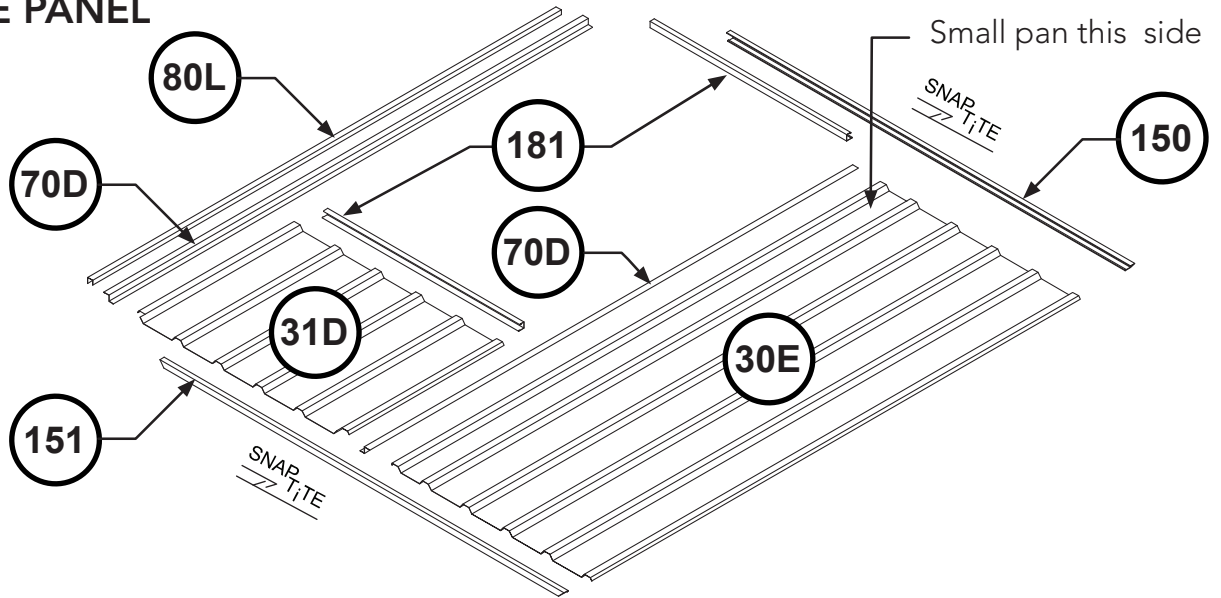
Lay the LEFT SIDE PANEL face up and lay the DOOR PANEL down in the open position on top as shown.

Using three rivets per hinge, FAST009, secure the door to the frame.

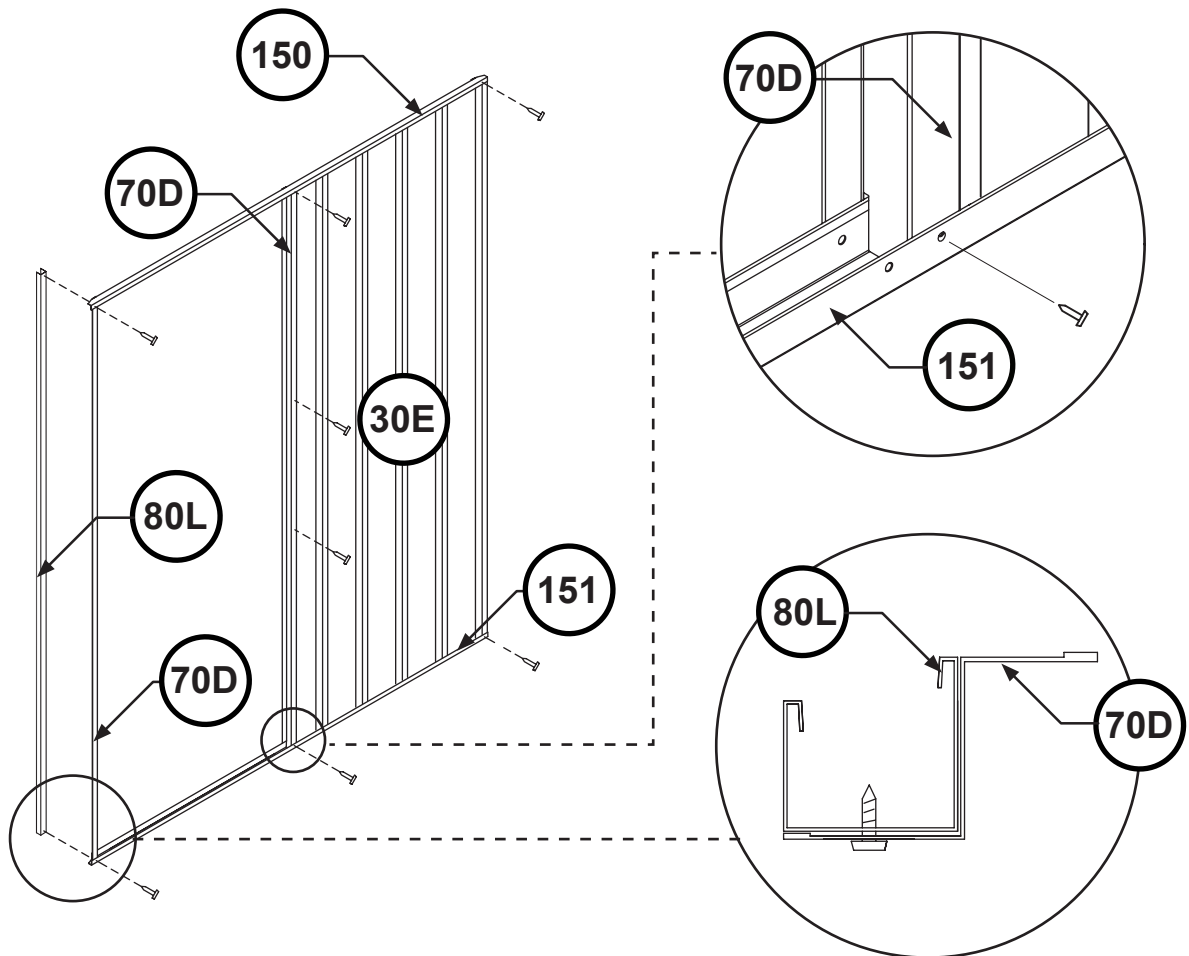
NOTE: Run the 3mm drill bit through the punched holes in the jamb before riveting the hinge on.

RIGHT SIDE PANEL

1x required



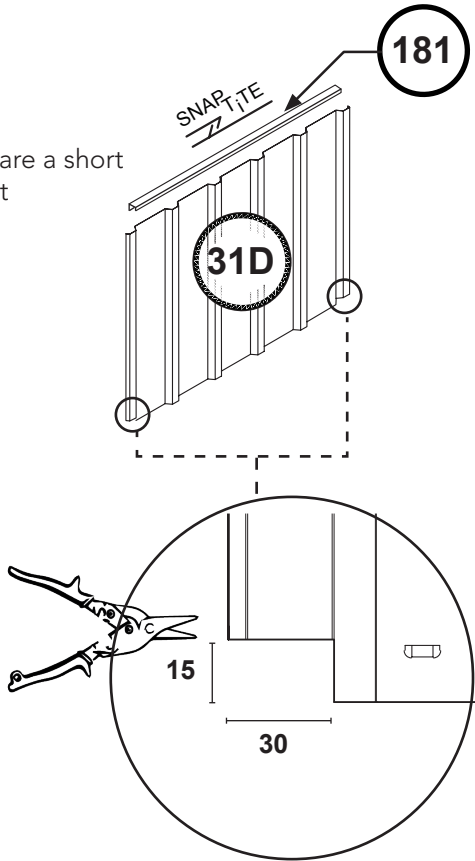
1.



RIGHT SIDE PANEL

2.

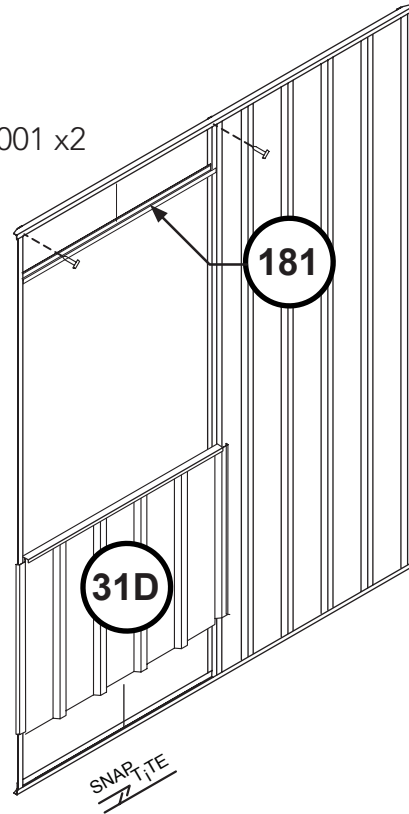
Prepare a short sheet



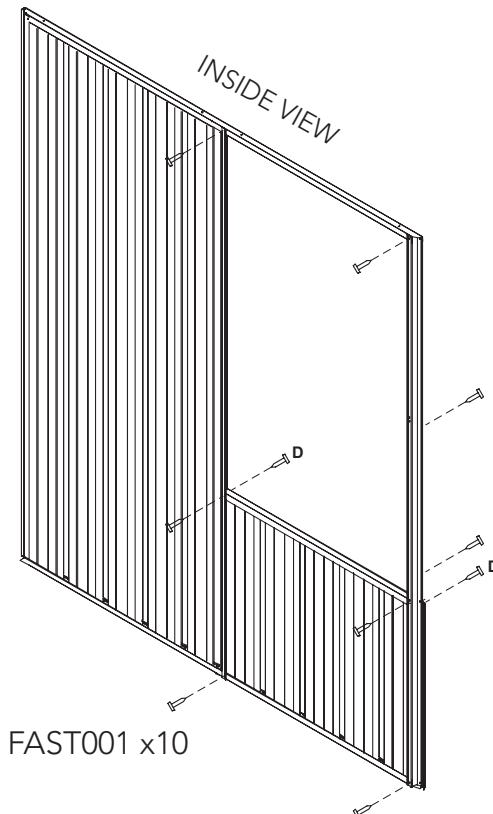
Notch out both bottom corners as shown using tinsnips.

3.

FAST001 x2

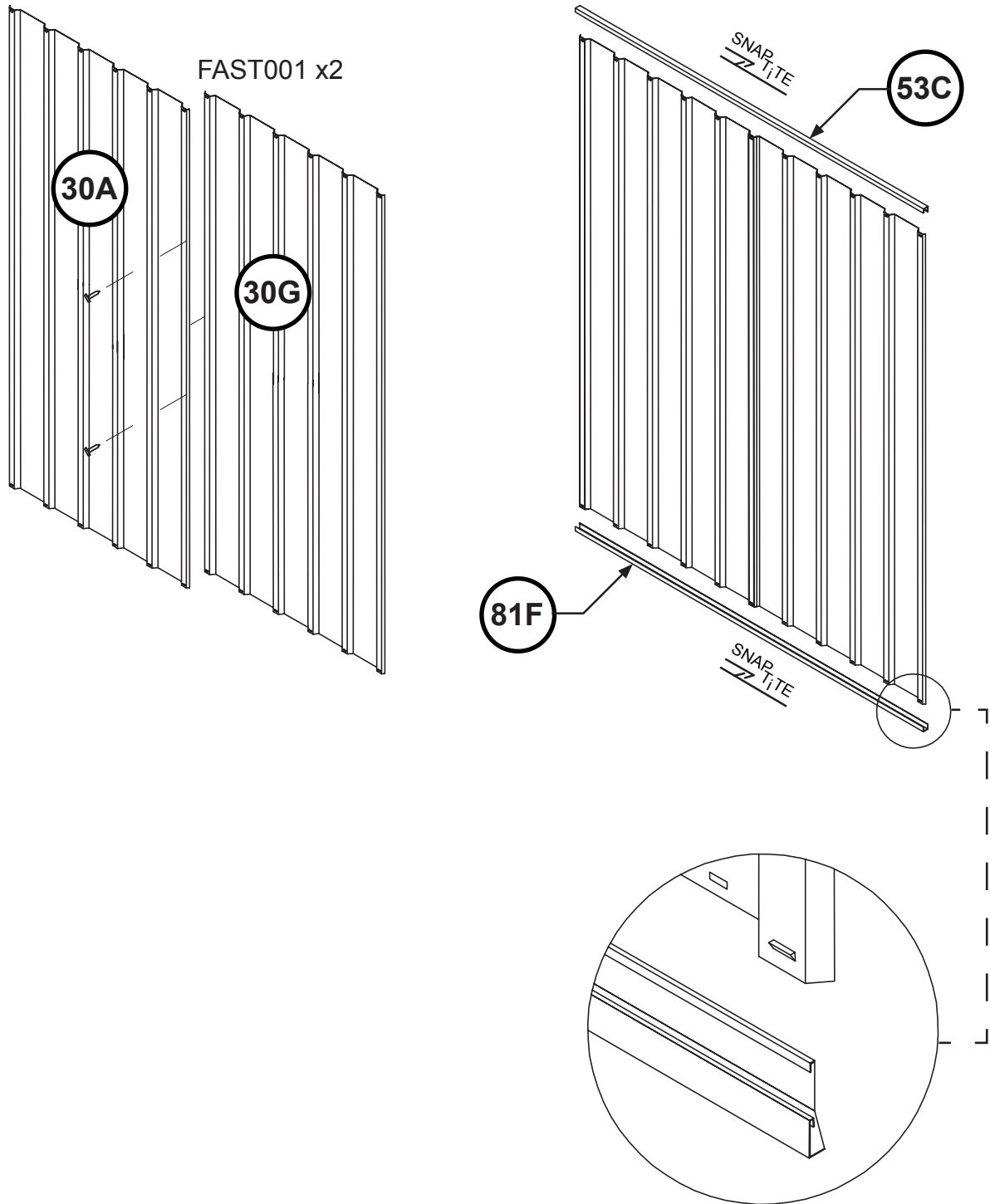


4.

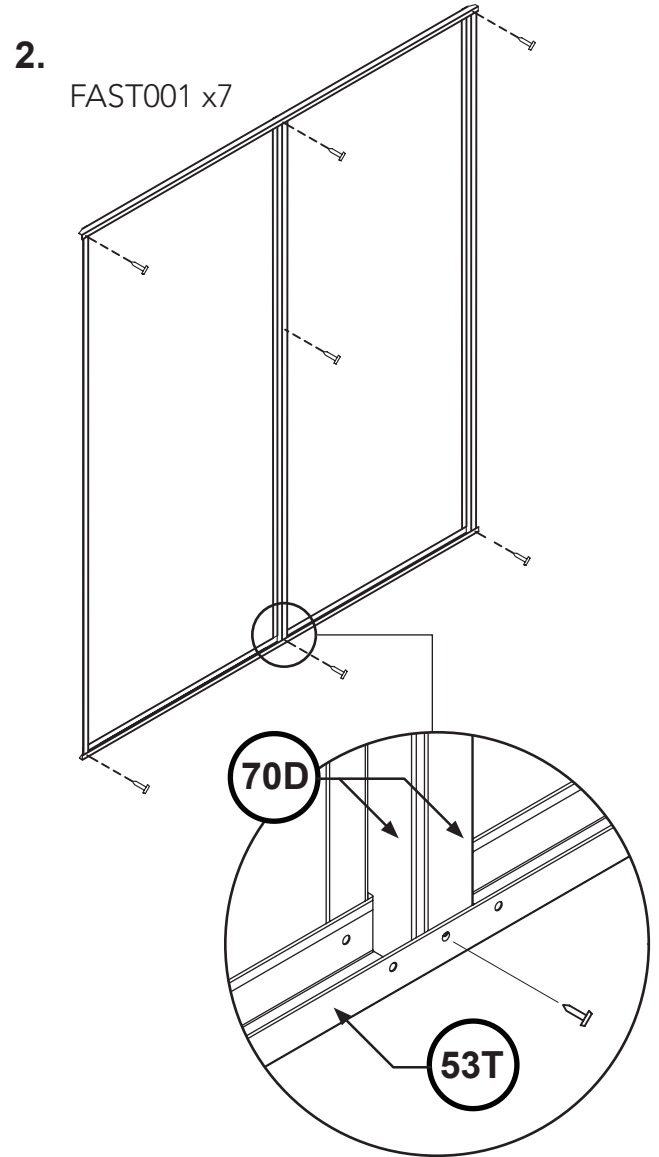
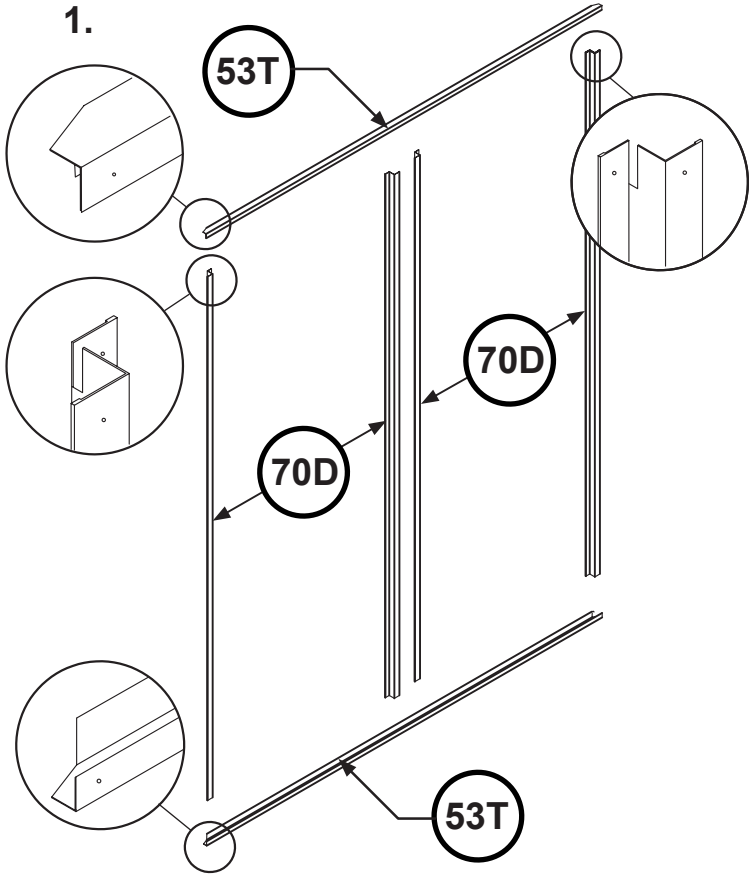


REAR PANEL ASSEMBLY

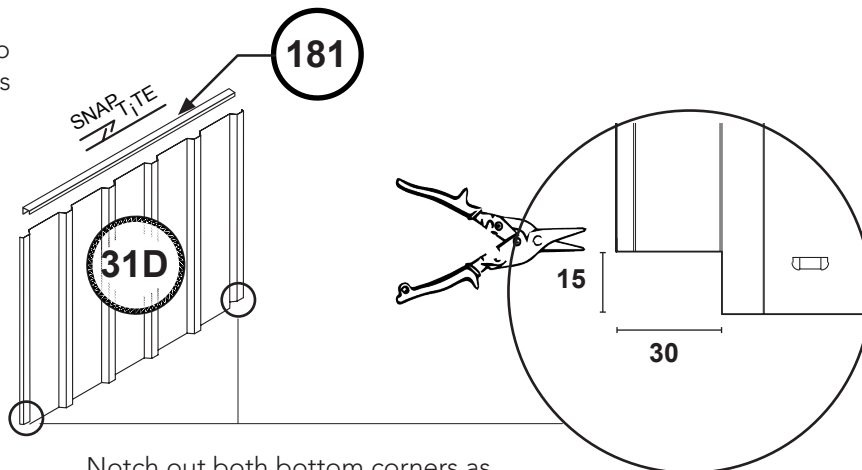
1x required



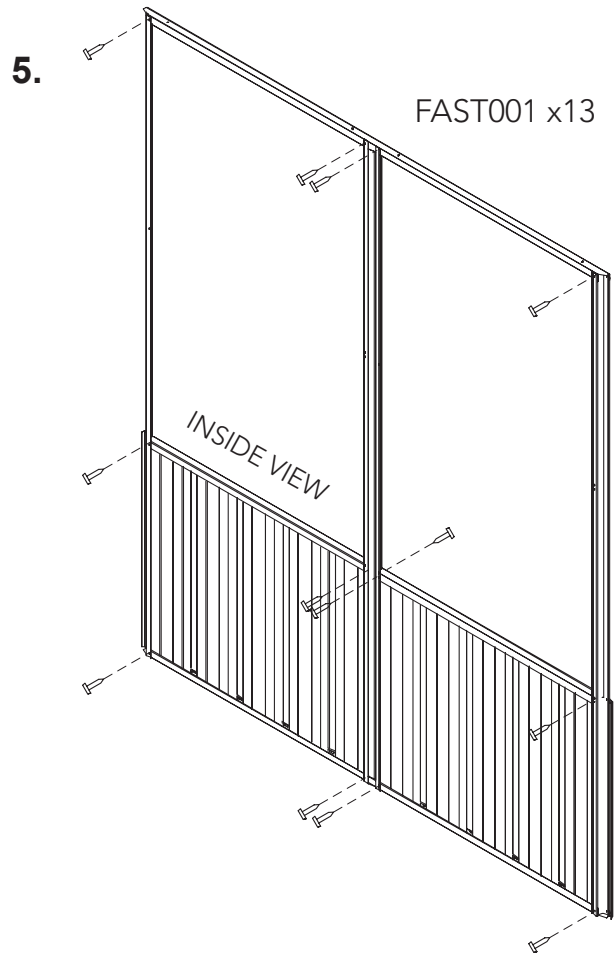
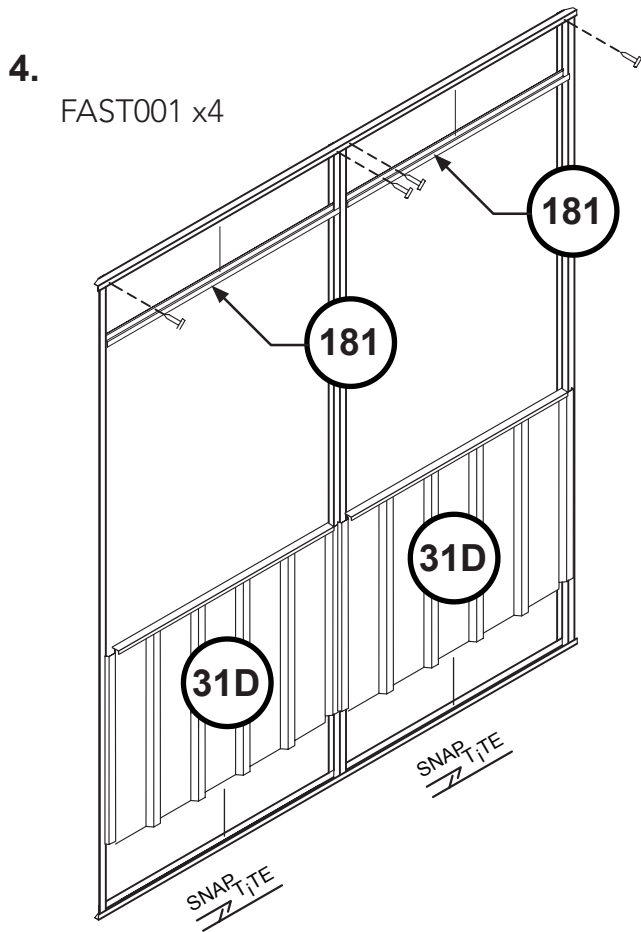
FRONT PANEL



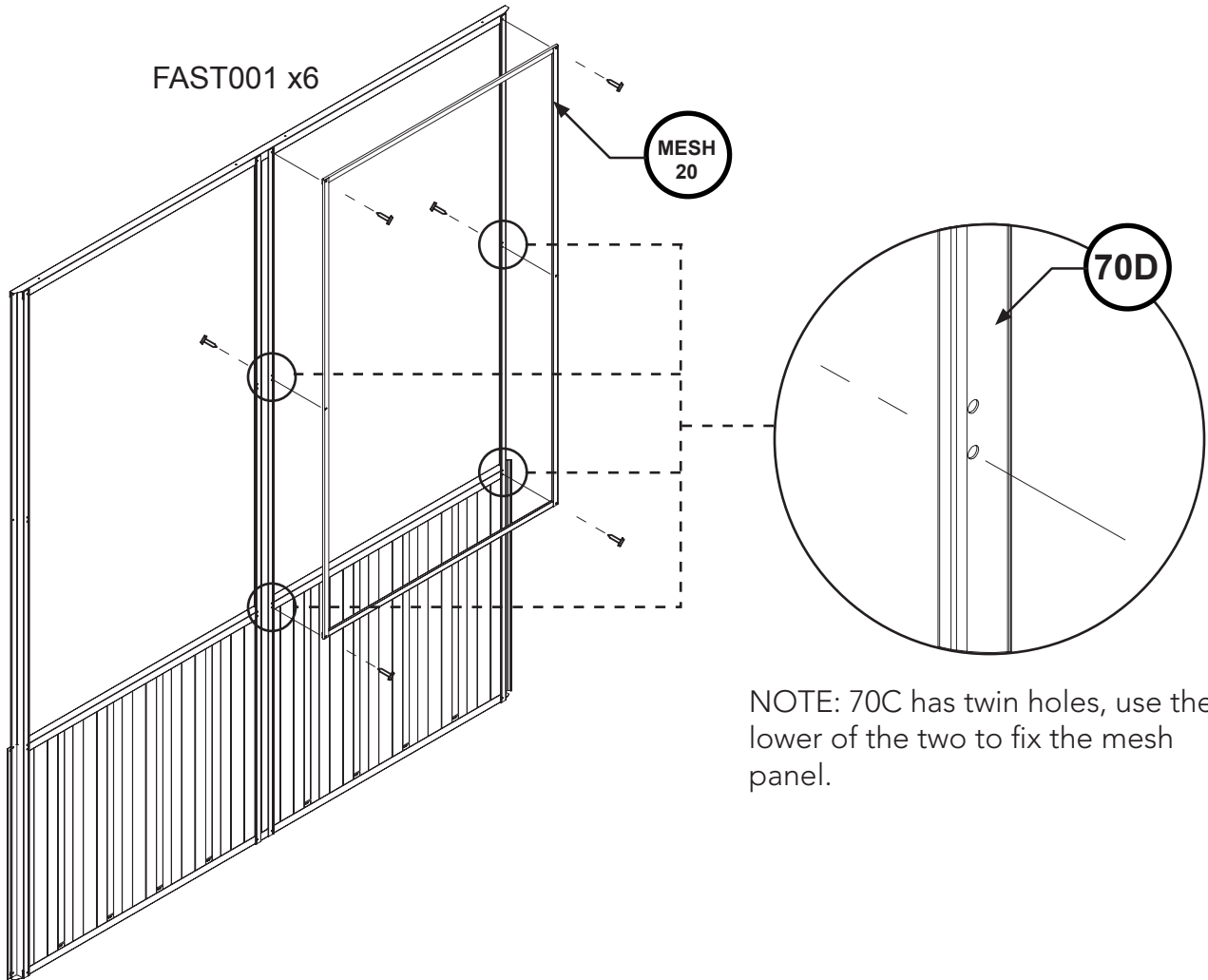
3.
Prepare two
short sheets



Notch out both bottom corners as shown using tinsnips.



FITTING MESH PANELS



NOTE: 70C has twin holes, use the lower of the two to fix the mesh panel.

The mesh panels are fixed to the interior of the wall panels.

There are six holes in the border of the mesh panel, these align with holes in the vertical jambs 70D in the wall panel and are fixed with FAST001 screws.

The top and bottom FAST001 are to be screwed from the inside of the panel.

The middle two are to be done from the exterior.

If the panel is bowing out between screws use additional fixings. Be sure to predrill with a 3mm drill bit before using additional FAST001 screws.

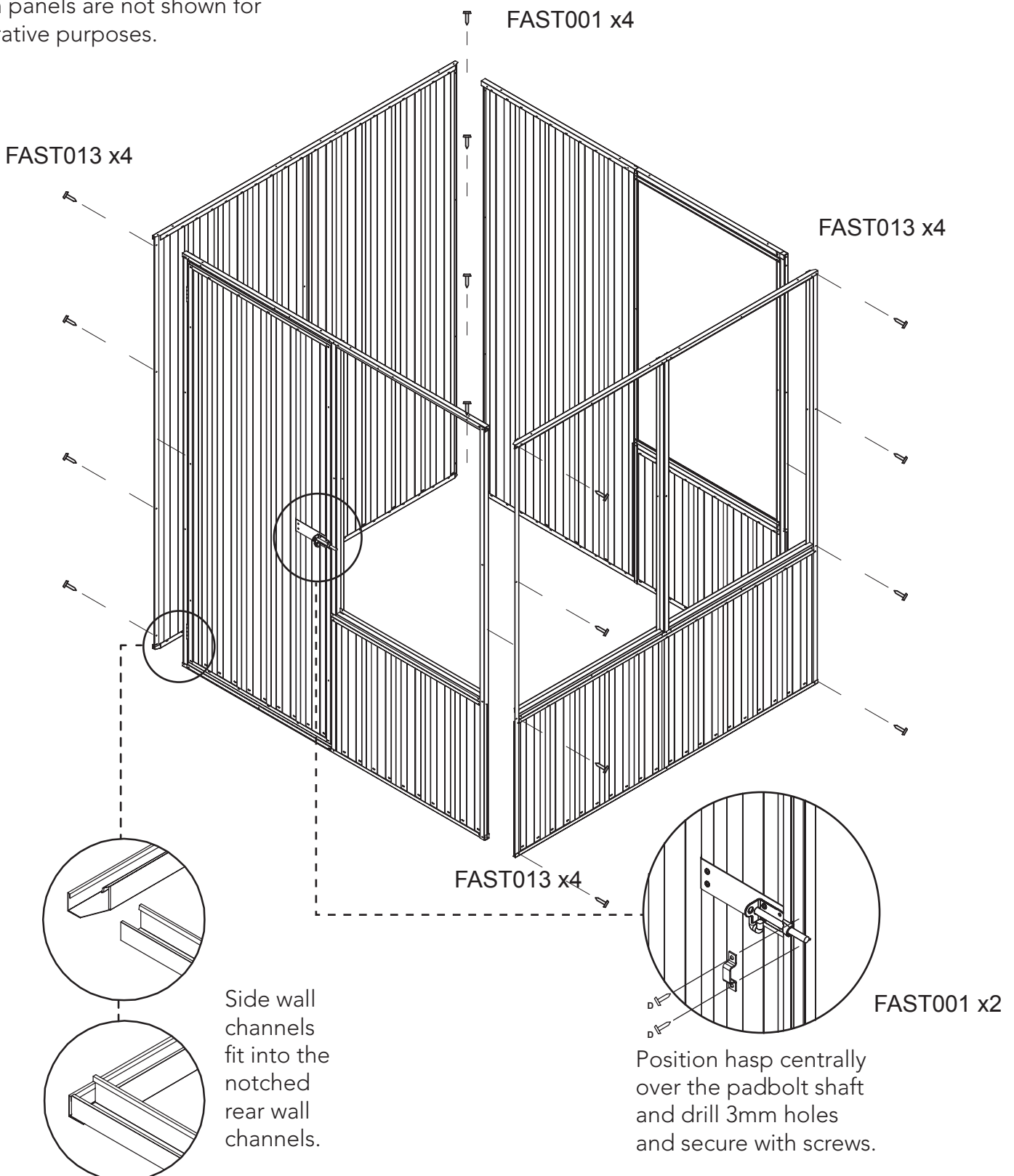
Repeat this for every mesh position.

WARNING: It is recommended that new galvanised mesh should be weathered for two (2) months or scrubbed with a mild acidic solution, such as vinegar, then rinsed with water before being used in bird housing applications.

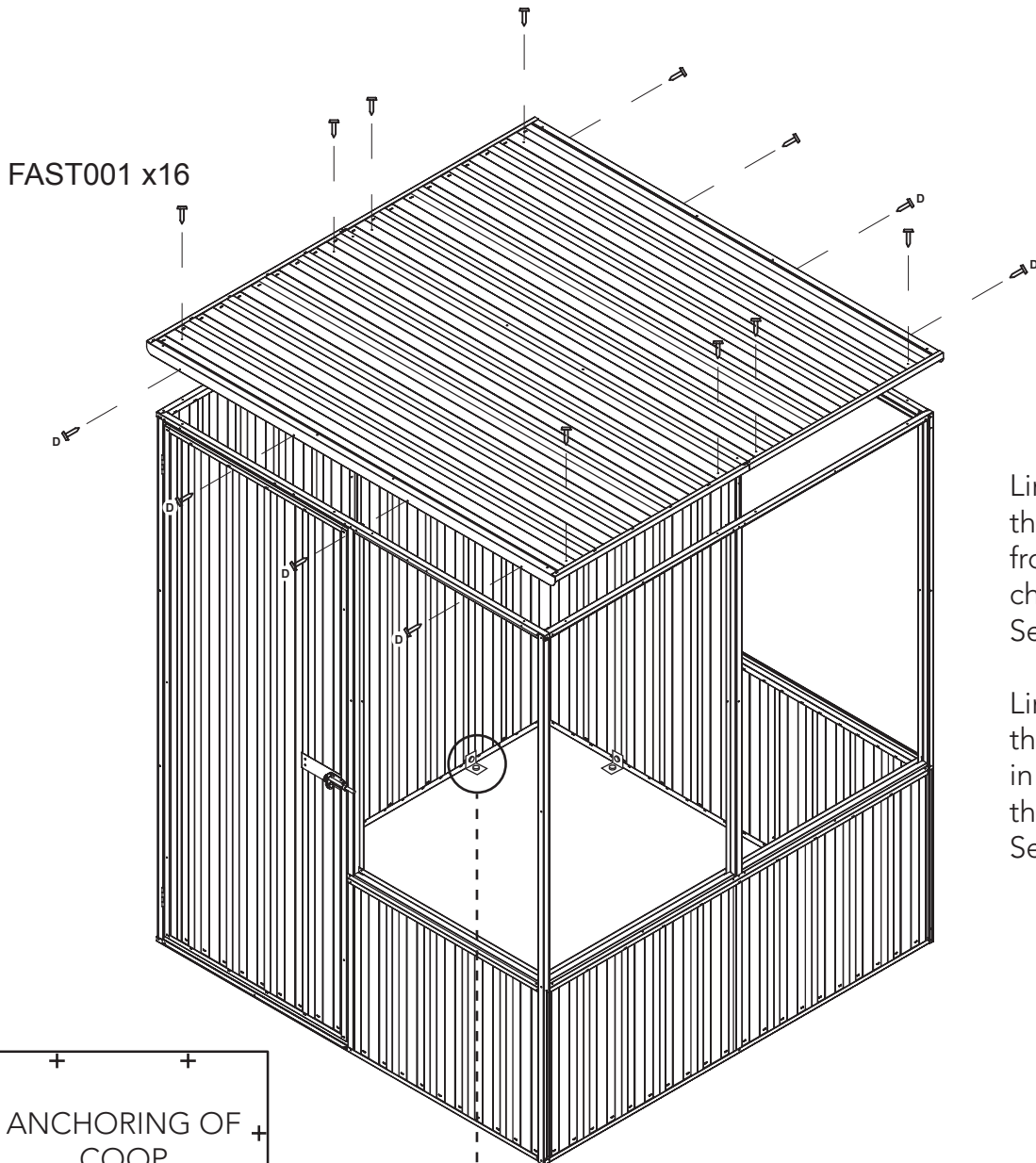
PANEL CONSTRUCTION

NOTE: Take care to ensure that all wall panels are not upside down. The top channels of each panel are pre-punched for attaching roof sheeting. The base channels are not pre-punched.

Mesh panels are not shown for illustrative purposes.

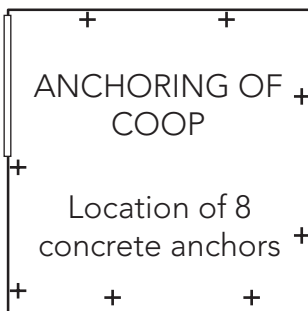


FINAL CONSTRUCTION

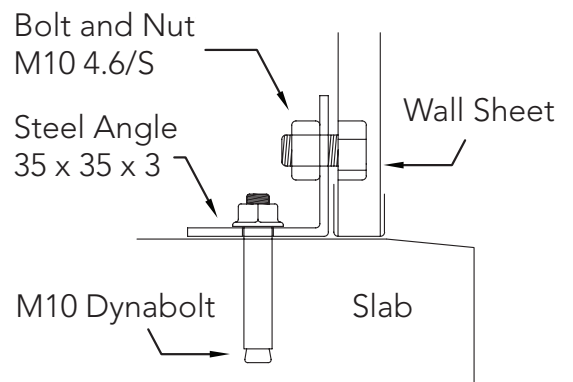


Line up the holes in the roof sheet with front and back top channels. Secure with screws.

Line up the holes in the roof lips with holes in the top channel of the side panels. Secure with screws.



Each anchor consists of one nut, bolt, M10 dynabolt and steel angle.
Drill a 10mm hole into the wall sheet.
Drill a 10mm hole into the concrete.



Absco Sheds Storage Guidelines

- Absco Sheds are designed to be weatherproof for normal weather conditions. In the event of extreme weather conditions such as heavy rain, combined with high wind gusts, the ridge capping, sheeting joints, screw fixings etc., may exhibit minor deformations which may allow some water entry. These areas should be checked regularly to ensure that maximum strength and protection is maintained.
- Other weather conditions such as extreme heat and extreme cold, moist or dry air can influence the effects of concrete floor moisture and/or condensation on the underside of the roof sheets.
- Absco Sheds and storage units are primarily used for storage of garden equipment such as lawnmowers, wheelbarrows, garden tools etc. Storage items that might be adversely affected by any of the above conditions may require additional protection such as being sealed or covered by plastic sheets and/or stacked above the concrete floor on timber slats.
- Waterproof sealants may be used to offer further protection where required around joins and screw fixings, as can rubber door seals and other products which are available from most hardware outlets.
- Placement of waterproof sealants (silicone) between the base of the shed and concrete slab is not recommended, as this process can have a reverse effect, preventing excess water from escaping, resulting with water accumulating and being trapped inside the shed.
- Absco accepts no responsibility for water entry, floor moisture, condensation or the condition of the Contents inside your Absco steel building arising from any of the pre-mentioned weather conditions.

Lifetime Warranty Statement



This warranty against defects is given by:

Absco Industries (ABN: 77 869 708 678)
Address: PO Box 119 Acacia Ridge QLD 4110
Ph: 1800 029 701
Fax: 07 3344 1191
Email: admin@absco.com.au

Date of issue: 19 December 2018

Details of Manufacturer's Warranty

This product comes with a Lifetime structural warranty from the date of purchase. This warranty also applies where there are missing or damaged parts identified in the parts list referred to in the instruction kit within the product packaging.

Please ensure that you keep this warranty form in a safe place along with your proof of purchase. You can register your warranty online <http://absco sheds.com.au/warranty-details/> or complete the form on the back of this document and mail it back to Absco, along with a copy of your proof of purchase.

The benefits of this warranty are in addition to your rights under the Australian Consumer Law (ACL) and in particular, the guarantees implied under the ACL and any other rights and remedies of the consumer under a similar law in relation to the goods and services to which this warranty relates.

Process of claiming warranty:

To make a claim under the warranty within the warranty period, you will need to contact the manufacturer directly by phone or email:

Contact Number: 1800 029 701
Contact Email: admin@absco.com.au

You will be required to produce proof of purchase (this is at discretion of the manufacturer) at the time of the claim.

The manufacturer bears the cost of replacing the products or spare parts or repairing the products and reasonable direct expenses of claiming under this warranty:

Where parts are replaced, the manufacturer will bear the cost of sending the spare part and will endeavour to deliver it to the customer's nearest reseller within 20 working days for the customer to pick up. At such time the customer may be required to return the alleged faulty parts.

Where assessment is required in case of replacing or repairing the product, the manufacturer will appoint an assessor within 10 working days to identify the alleged defect. The manufacturer will bear the repair costs by appointing a local tradesman. The manufacturer may choose to replace the product if the repair or the cost of repair is not feasible. The replacement product will be available for collection from the nearest reseller within 20 working days. The customer will bear the cost of assembly for the replacement product.

IMPORTANT

1. Manufacturer's Disclosure

This warranty against defects shall not apply in the following situations:

- A) Where the product is not assembled in accordance with the instructions provided in the product kit;
- B) Where the product is used to store corrosive materials such as fertilizer, chlorine etc;
- C) The warranty does NOT cover damage caused by storms, wind, rain, snow or poor foundations;
- D) This warranty does not apply to surface deterioration of panels caused by 'Swarf' (Tiny particles of steel debris left from cutting, grinding or drilling operations) that has not been removed after building construction.

2. Notes

This product is weatherproof to a certain level; however driving windy rain may cause the product to leak. Condensation may also occur in some weather conditions such as extreme heat or cold. The product should only be used for storing items such as gardening equipment and should not be used for articles that may be prone to damage if they come into contact with moisture.

We recommend you use a waterproof sealant to fill any gaps or joins in order to minimise the risk of water entering.

3. Major Defects

If the manufacturer is satisfied that the defect is a major defect, the purchase price may be refunded in lieu of providing a replacement product or repairing the product.

This warranty is provided in addition to other rights and remedies you have under law: Our goods come with guarantees which cannot be excluded under the Australian Consumer Law. You are entitled to replacement or refund for a major failure and to compensation for other reasonably foreseeable loss or damage. You are also entitled to have the goods repaired or replaced if the goods fail to be of acceptable quality and the failure does not amount to a major failure.

If you do not wish to register your warranty online, complete the below form and email, fax or post this form back to Absco, along with a copy of your proof of purchase.

NAME: _____

STREET ADDRESS: _____

POSTAL / ZIP CODE: _____

STATE / CITY / PROVINCE / REGION: _____

COUNTRY: _____

SHED TYPE/CODE: _____

ORDER NO: _____

DATE OF PURCHASE: _____

EMAIL ADDRESS: _____

DATE REGISTERED: _____

