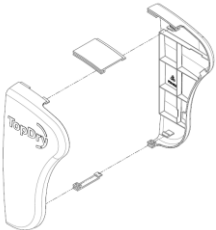
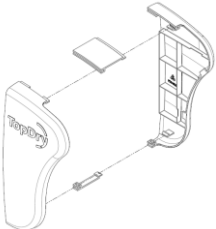

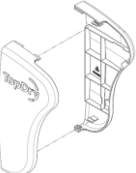
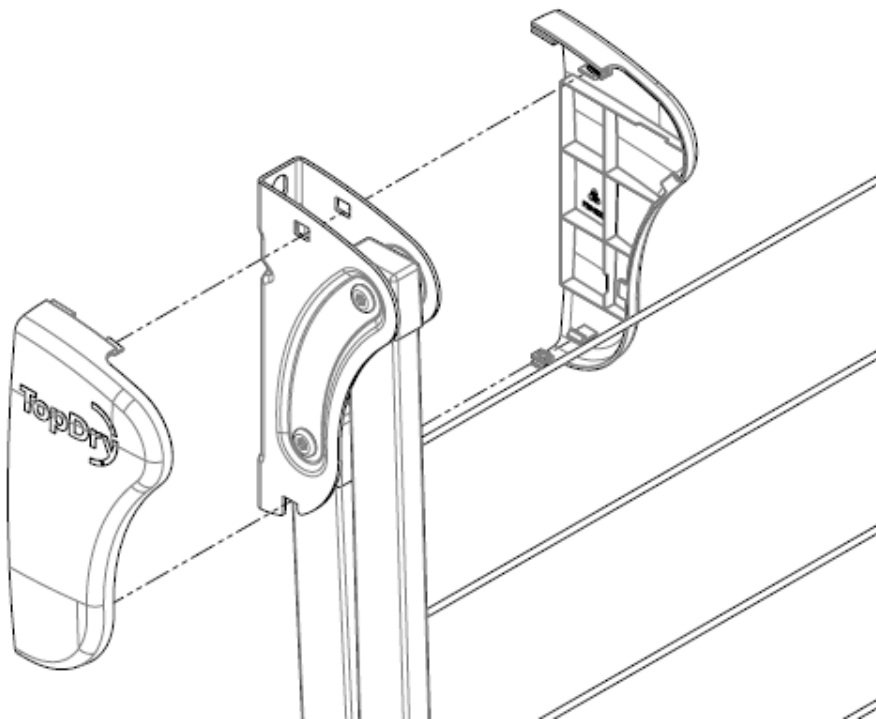


TOPDRY Folding Frame – Wall Bracket Cover Replacement - Installation Instructions

Parts List

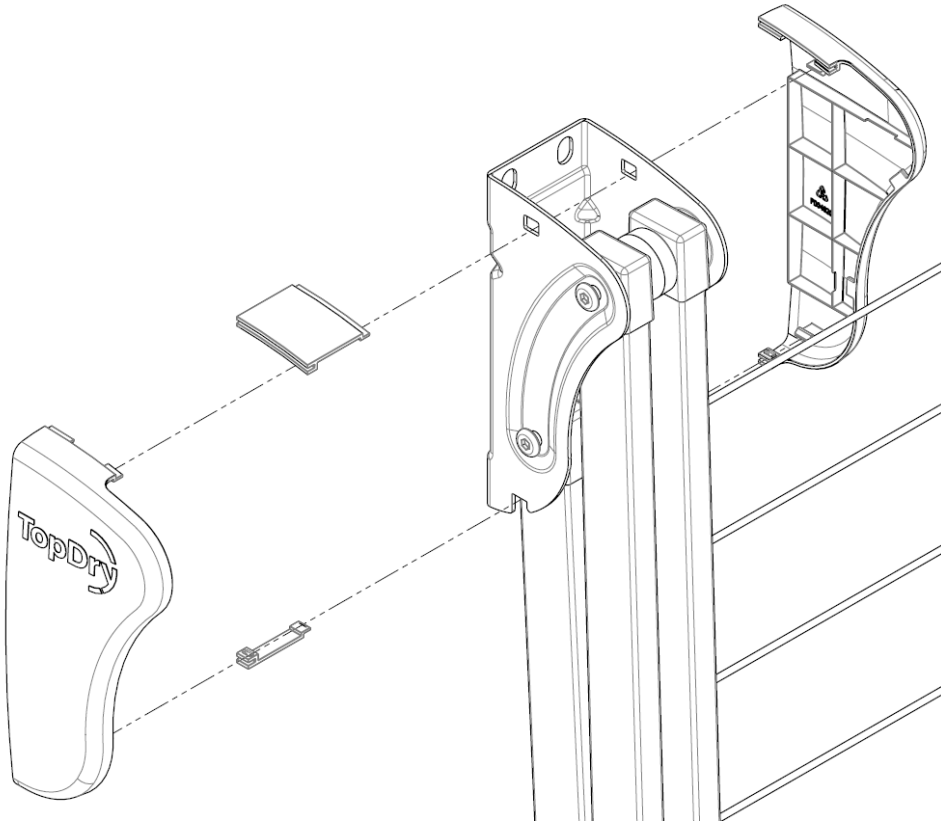
AD05514	Wall Bracket Double Cover - Smoke	 A technical line drawing showing the assembly of a double cover for a wall bracket. It features two main cover pieces, one of which is labeled 'TopDry'. A small rectangular plate is shown being inserted into a slot on the top cover. A screw is shown being inserted into a hole on the side of the bracket to secure the covers.
AD05515	Wall Bracket Double Cover - Slate	 A technical line drawing showing the assembly of a double cover for a wall bracket. It features two main cover pieces, one of which is labeled 'TopDry'. A small rectangular plate is shown being inserted into a slot on the top cover. A screw is shown being inserted into a hole on the side of the bracket to secure the covers.
AD05516	Wall Bracket Single Cover - Smoke	 A technical line drawing showing the assembly of a single cover for a wall bracket. It features one main cover piece labeled 'TopDry'. A screw is shown being inserted into a hole on the side of the bracket to secure the cover.
AD05517	Wall Bracket Single Cover - Slate	 A technical line drawing showing the assembly of a single cover for a wall bracket. It features one main cover piece labeled 'TopDry'. A screw is shown being inserted into a hole on the side of the bracket to secure the cover.

Wall Bracket Single - Cover Fitting Instructions



1. To remove, unclip the covers by pulling gently.
2. To Replace, fix the Covers onto the Wall Bracket by aligning the clips with the openings on the Wall Bracket and pushing gently.

Wall Bracket Double - Cover Fitting Instructions



1. To Remove, unclip the covers by pulling gently and remove the upper and lower infill pieces.
2. To replace, fit the upper and lower infill pieces and attach the covers to the Wall Bracket by aligning the clips with the openings on the Wall Bracket and pushing gently.