

4000 Litre Slimline

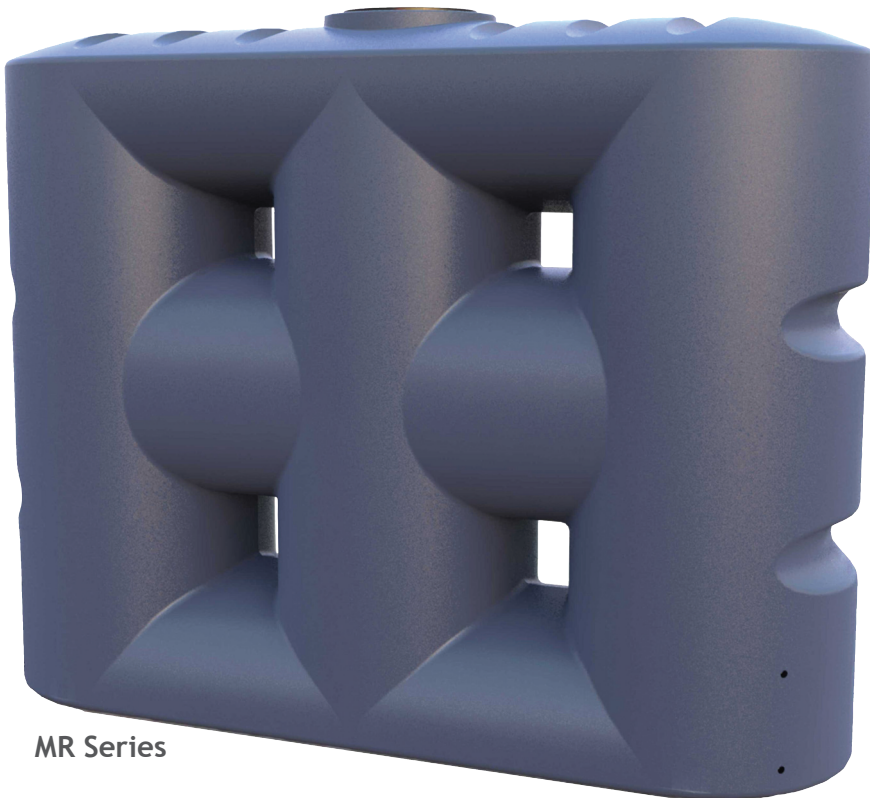
Features

- ✓ Compliant with the Australian Tank Standard 4766
- ✓ High quality material - Ultra UV Food Grade Poly
- ✓ Designed to suit left or right hand installation
- ✓ 100% Australian - Designed, owned & manufactured
- ✓ Available in a great range of colours

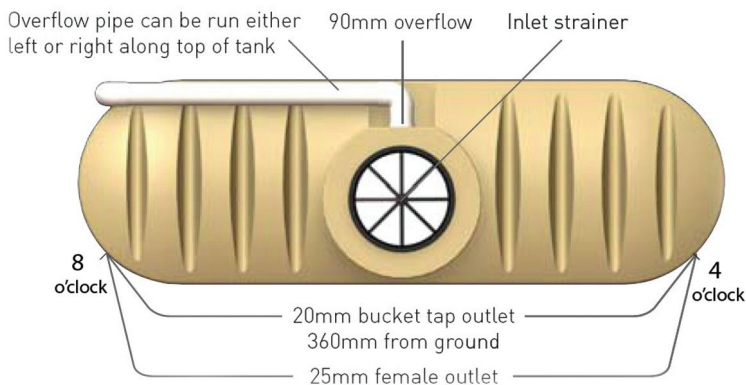
Warranty

- ✓ 10 years (refer to Flexdrive warranty document)

Product Code: ETS4000 (+ colour)



MR Series



FlexdriveTM
Tank
Solutions

Phone: 1300 35 39 37

Email: tanks@flexdrive.com.au

Web: www.flexdrive.com.au

Dimensions:

W: 900mm

L: 2750mm

H: 2150mm

Standard Colours:

Smooth Cream, Mist Green,
Wheat, Dark Green,
Beige, Heritage Red,
Slate Grey, Merino Beige,
Mountain Blue (pict), Rivergum
(Custom colours available on request)

Your Flexdrive 4000 Slimline Stockist

Price: