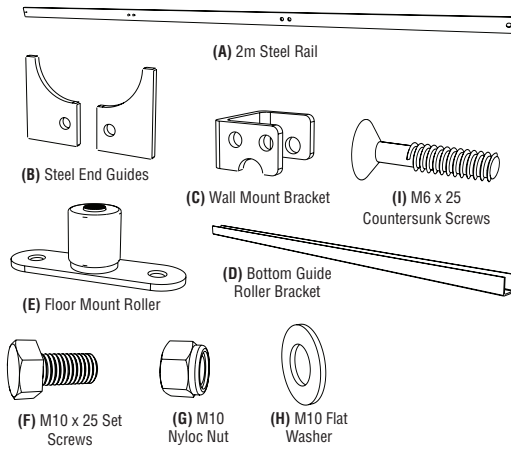


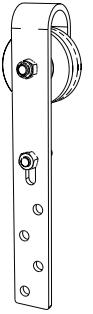
KIT CONTENTS

NOT INCLUDED: Fasteners for attaching rollers and guides to door/wall

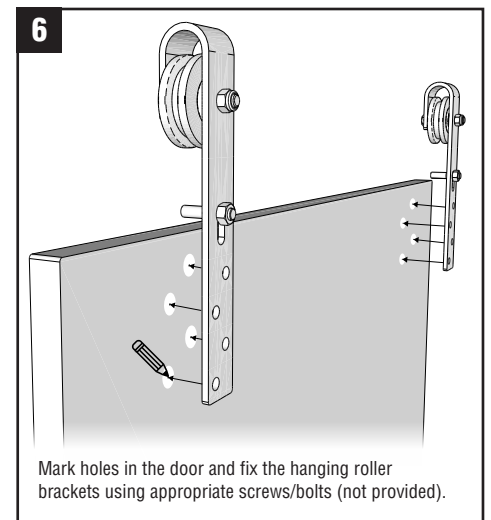
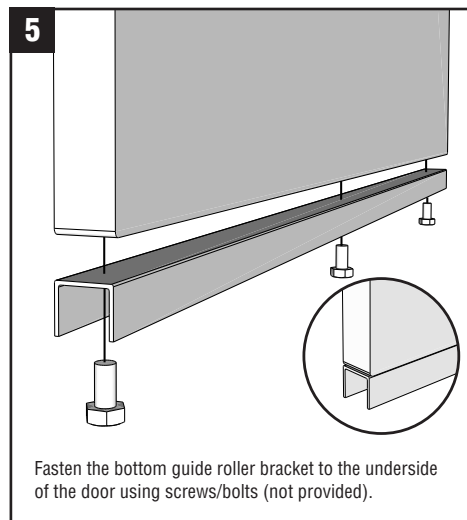
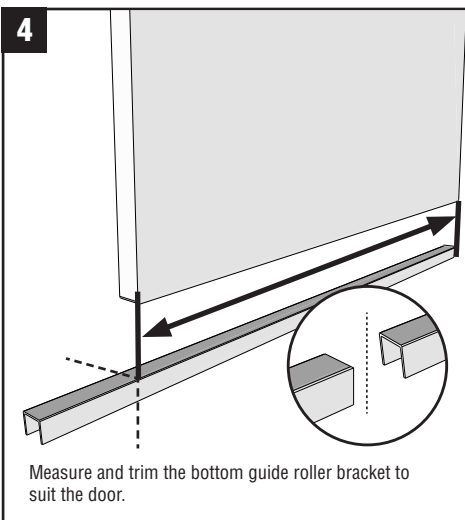
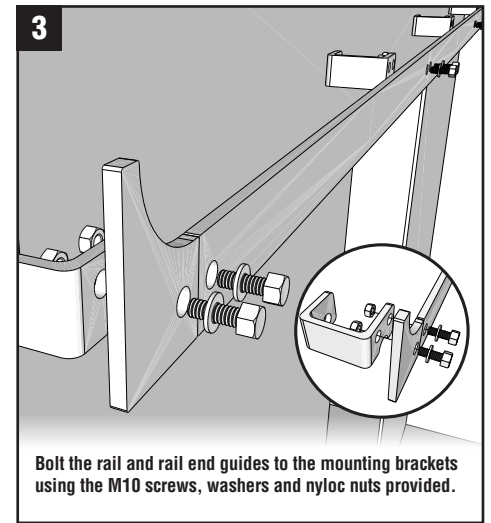
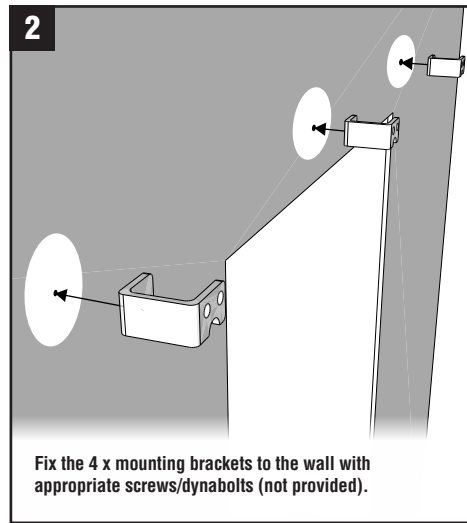
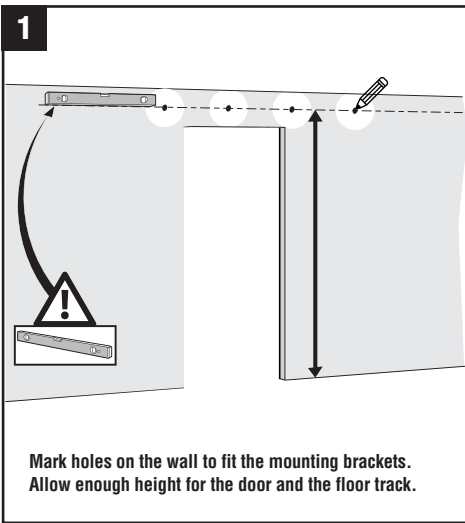


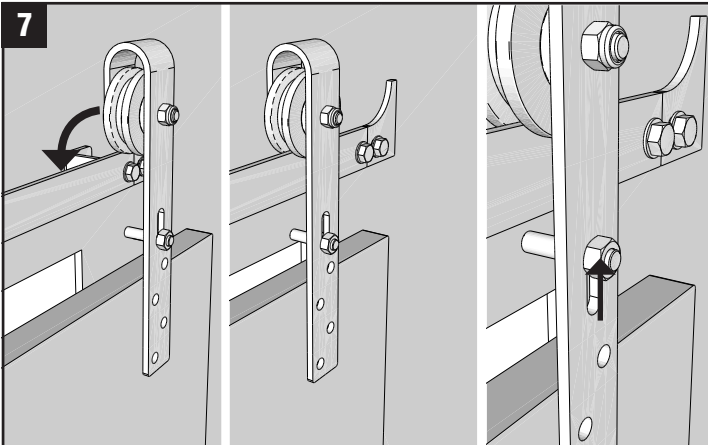
- 1x 2m Steel Rail (A)
- 2x Steel End Guides (B)
- 4x Wall Mount Bracket (C)
- 1x Bottom Guide Roller Bracket (D)
- 1x Floor Mount Roller (E)
- 8x M10x25 Set Screws (F)
- 8x M10 Nyloc Nut (G)
- 8x M10 Flat Washers (H)
- 2x M6x25 countersunk screws (I)

HANGING ROLLER NOT INCLUDED IN KIT
*SOLD SEPARATELY
x2 REQUIRED

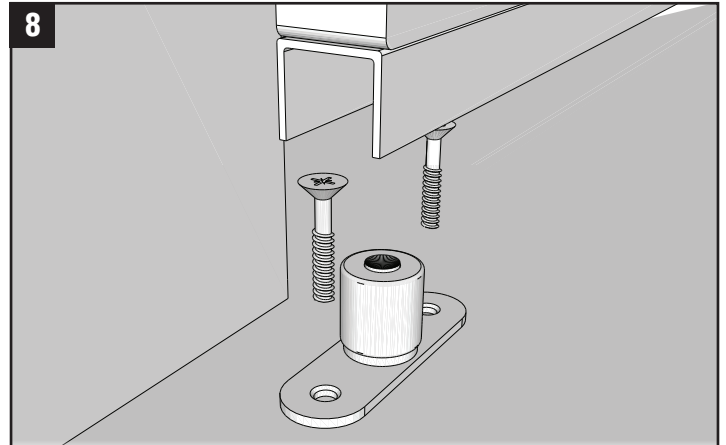


75mm (BHR020)
90mm (BHR021)
105mm (BHR022)





7 Lower the adjustable holding pins and lift the hanging rollers onto the rail, then raise the holding pins so that the roller cannot escape the rail.



8 Fasten the floor mounted roller to the floor, ensuring the door is level.

