

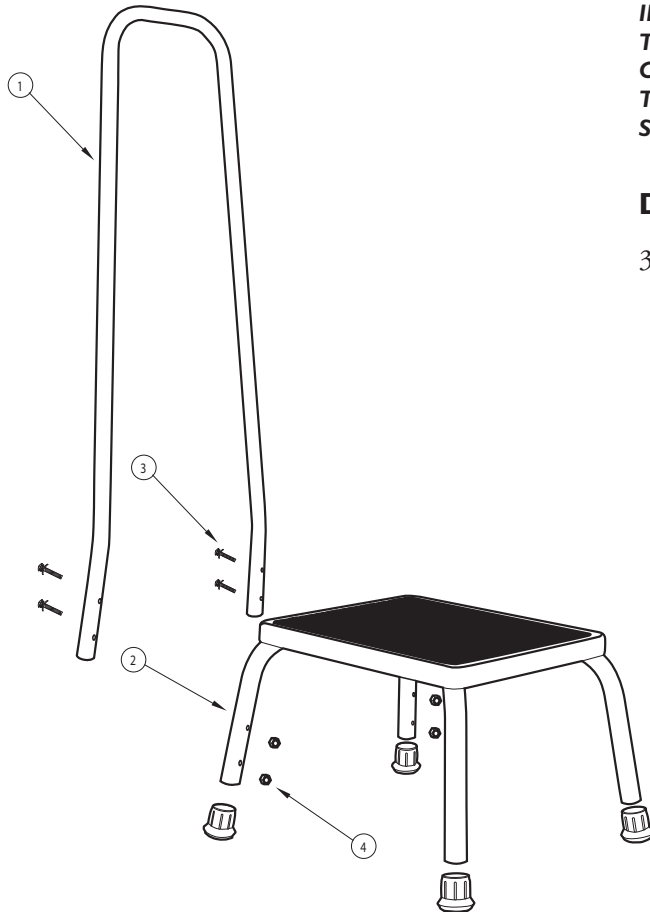
Hand Rail For Safety Stool Installation Instructions

EZL693

WARNING! – FOLLOW THESE INSTALLATION INSTRUCTIONS CAREFULLY. PROPER INSTALLATION IS THE INSTALLER'S RESPONSIBILITY. FAILURE TO FOLLOW CORRECT INSTALLATION PROCEDURES CAN CAUSE THE STOOL TO BECOME LOOSE, WHICH CAN RESULT IN SERIOUS INJURY.

Dimensions

34cm wide x 86cm high



1

Align holes in the hand rail ① with the holes in the stool legs ②.

2

Insert 4 bolts through the holes in the hand rail and through the stool legs. Secure with the nuts provided. Tighten securely.