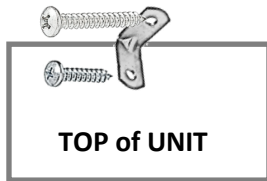


ASSEMBLY INSTRUCTION FOR EXC-750 H1

WARNING: Serious injury or death can be caused by toppling furniture

Help prevent tip-over:

- Anchor this product to a wall or other suitable surface
- Check anchors regularly
- Avoid placing TVs on top unless the TV is also anchored
- Use drawer locks to prevent children climbing



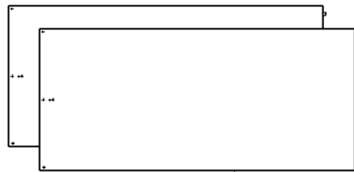
When attaching unit to wall put safety bracket in middle of unit with 16mm pan head screw then 25mm pan head screw into wall. For plasterboard without a stud it is recommended to use a plug with screw (not provided).



EXC-750 H1

PARTS IDENTIFICATION LIST

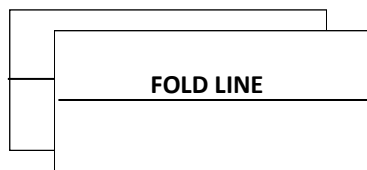
2 x TOP GABLES



2 x BOTTOM GABLES



2 x BACKING BOARDS



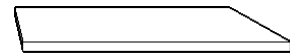
1 x 717mm H MOULD



1 x CAM SHELF



2 x FIXED SHELF



1 x BOTTOM KICK



2 x 30mm FLANGES













1 x 30mm HANGING RAIL

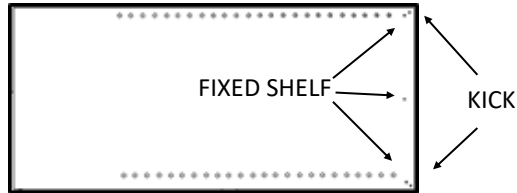
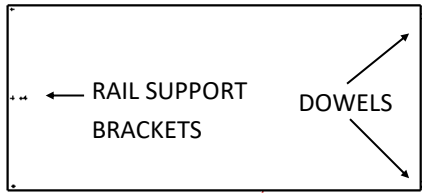


1 x SAFETY BRACKET



NO	MODEL	DESCRIPTION	QTY	NO	MODEL	DESCRIPTION	QTY
1		CONFIRMAT SCREWS 50mm x 5mm	14	6		CAMS	4
2		WHITE CAPS	14	7		CAM PINS	4
3		DOWELS	4	8		16mm PAN HEAD SCREWS	1
4		BACKING NAILS	75	9		25mm PAN HEAD SCREWS	1
5		16mm WOOD SCREW	2	10		"L" SAFETY BRACKET	1

MULTISTORE

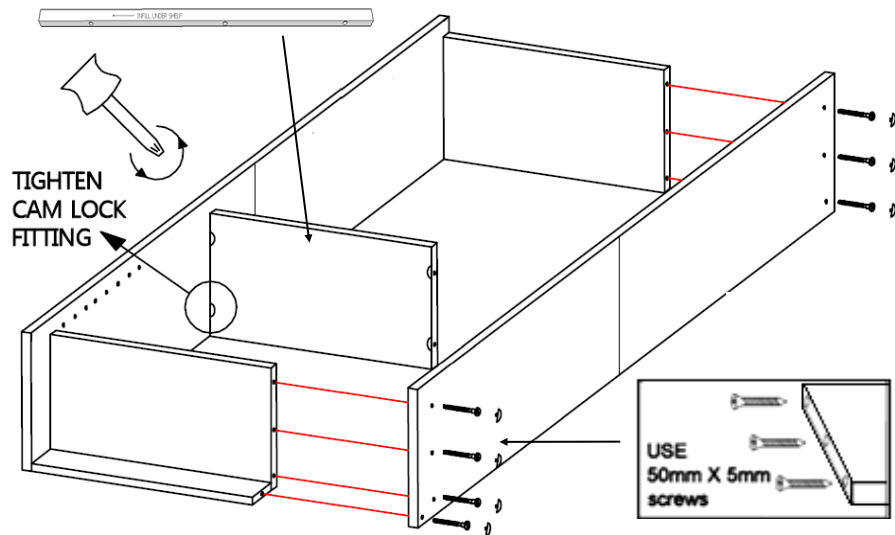


TAKE YOUR GABLES AND LAY THEM OUT FLAT, YOU SHOULD HAVE 2 X TOP & 2 X BOTTOM GABLES. USING A LITTLE WOOD GLUE (NOT SUPPLIED) IN YOUR PRE-DRILLED HOLES, INSERT YOUR WOOD DOWELS INTO 2 OF THE HOLES AND PUSH YOUR TOP INTO YOUR BOTTOM GABLE.

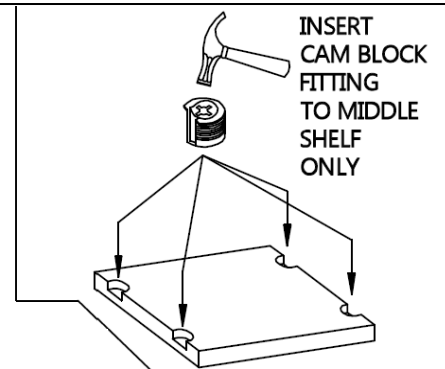
NEW STEP REQUIRES YOU TO OPEN PART 2 AND RETRIEVE THE INFILL.

NEXT STEP:

YOU WILL NEED TO RETRIEVE THE INFILL FROM PART 2, USING 30mm 8 GAUGE SCREWS PROVIDED, ATTACH THE INFILL TO THE UNDER-SIDE OF THE CAM SHELF BEFORE PUTTING YOUR SHELF INTO PLACE.



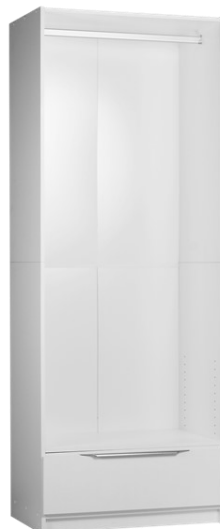
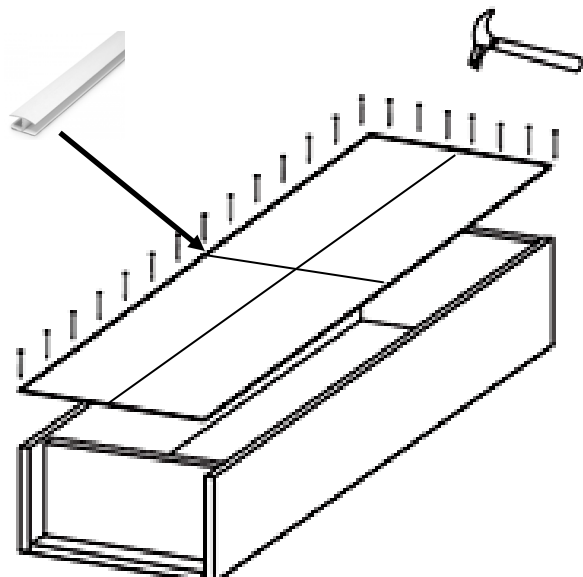
ALIGN YOUR SHELVES AND KICK TO THE LEFT-HAND GABLE, SCREW THEM INTO PLACE ATTACH YOUR RIGHT-HAND GABLE AND DO THE SAME.



IMPORTANT
PLACE THE FITTING OVER HOLE, KEEPING THE SQUARE, EDGE OF THE FITTING PARALLEL TO THE FACE OF THE BOARD, KNOCK IN CAREFULLY

FOLD OUT BOTH TOP AND BOTTOM BACKS, THEN SLIDE THE H MOULD INTO BOTH BACKS TO JOIN THEM TOGETHER.

PROCEED TO NAIL THEM INTO POSITION MAKING SURE YOU ARE SQUARE.



YOU WILL NEED 2 X 16mm WOOD SCREWS FOR THE NEXT STEP.

TAP INTO POSITION YOUR FLANGES INTO THE HOLES PROVIDED IF YOU WISH YOU CAN SCREW IN 1 SCREW INTO THE MIDDLE OF THE FLANGE AND SLIDE ON YOUR HANGING RAIL.



NEXT:-YOUR PART 2 IS REQUIRED

YOU WILL NEED THE DRAWER ASSEMBLY SHEET ON HOW TO CREATE YOUR DRAWER.



WARRANTY

Our goods come with guarantees that cannot be excluded under the Australian Consumer Law. You are entitled to a replacement or refund for major failure.

10 Year Warranty

- If the purchaser has a fault or defect with this product, the purchaser needs to contact Multistore Industries (Aust) directly on (07) 3208 6799 and state date of purchase, place of purchase and proof of purchase.
- Multistore Industries (Aust) will replace any faulty or defect parts at no cost to the customer. A replacement will be sent to you as soon as possible, or product can be exchanged at the store of purchase.
- This warranty is in addition to other rights and remedies of the customer under law.

Sincerely,

Multistore Industries (Aust) Management