

ZIA45SK5, ZIA45SWK5

BLANCO



Model Code

ZIA45SK5 -anthracite

ZIA45SWK5 - white

Description

Single bowl inset sink with drainer and overflow - reversible

Optional Accessories

SUBLINEBK

SUBLINECOLSS

CAPFLOW

Warranty

30 year warranty



Features

Benefits

Engineered in Germany

Elegant SILGRANIT™ design impresses with its timeless, straight lined bowl geometry which will suit all types of kitchen products and worktops.

Durability

SILGRANIT™ PuraDur™ II consists of 80% granite, which makes it unbeatably resilient, extremely durable, scratch proof, heat resistant, unbreakable and acid resistant.

Hygiene + Plus™

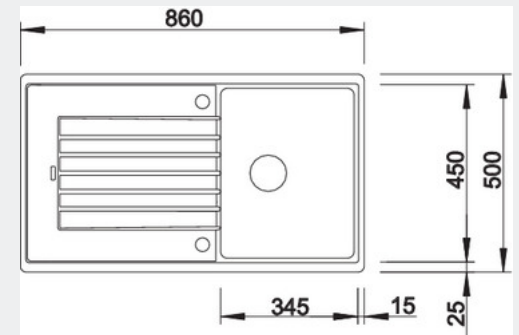
A patented formula that acts as a shield against dirt and bacteria. This hygiene protection reduces bacteria growth by an average of 98%.

Maximum Bowl Size

Due to the small radii of 15mm it allows for a large sink area and a modern classy look.

Designer wastes

No additional costs after purchase



Method of Installation:	Inset
Cabinet size:	45cm
Overall Dimensions:	860w x 500d x 190hmm
Cut-out Dimensions:	840w x 480d
Colour:	Available in Anthracite or White
Corner Radius:	15mm
Bowl Capacities:	29 Litres
Standard Inclusion:	Designer Waste
Warranty:	30 years

Note: Measurements are within 2/3mm of factory tolerance. It is advisable to check dimensions of physical product when measuring for installations and before doing any cut outs.

*Due to continual product development the information provided is not final and may be subject to change.



Acid resistant.

Non fading.

Heat resistant.

Stain resistant.

Scratch resistant.

Easy to clean.