

BLANCO

Instructions for the Use and Care and Installation of

BRU53X

BRU70X

Under Cupboard Rangehood

Dear Customer

You will find that the modern look of your **Blanco** rangehood blends in perfectly with your kitchen décor. It is easy to use and performs to a high standard.

Blanco also makes a range of products that will enhance your kitchen – such as cooktops, ovens, dishwashers, microwaves, sinks and taps. There are models to complement your new Blanco rangehood. Blanco now has a range of laundry products to choose from.

Of course, we make every effort to ensure that our products meet all your requirements, and our Customer Service Department is at your disposal, to answer your questions and to listen to your suggestions.

Please complete the warranty section of this manual and keep your receipt as proof of purchase. Retain all documents relating to the purchase of Blanco product.

Blanco is committed to providing increasingly efficient products that are easy to use, respect the environment and are attractive and reliable.

BLANCO

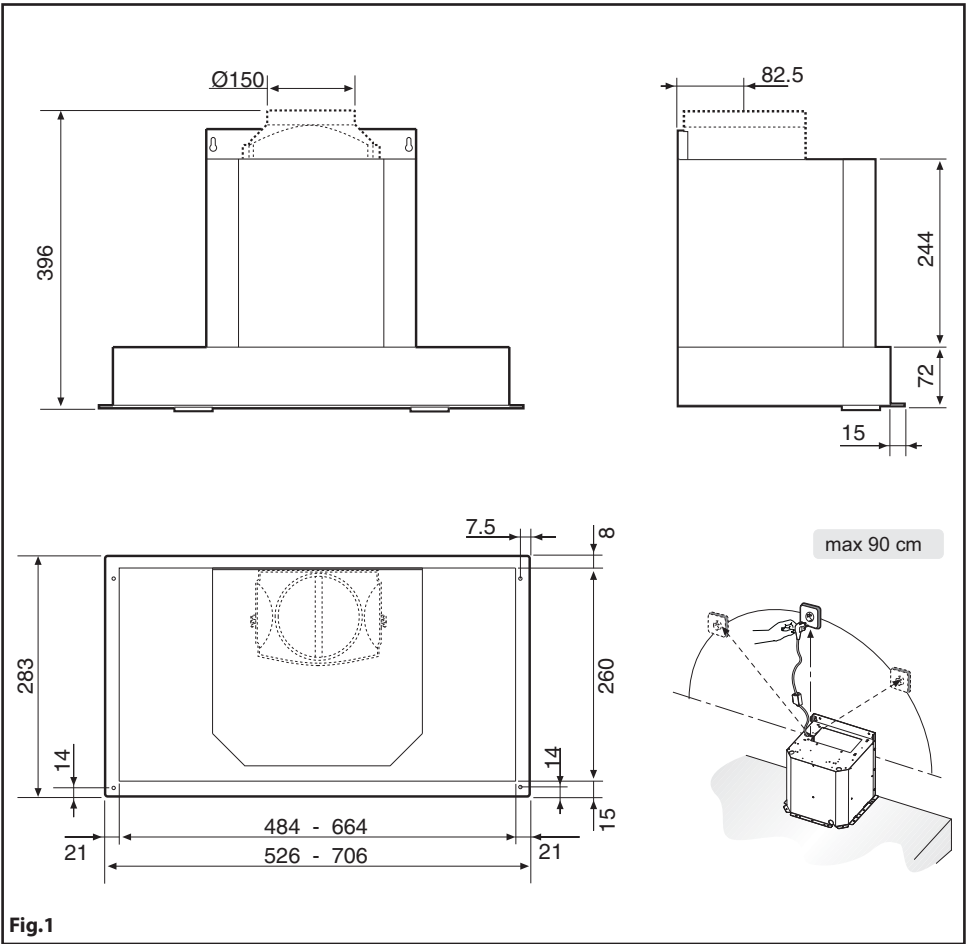


Fig.1

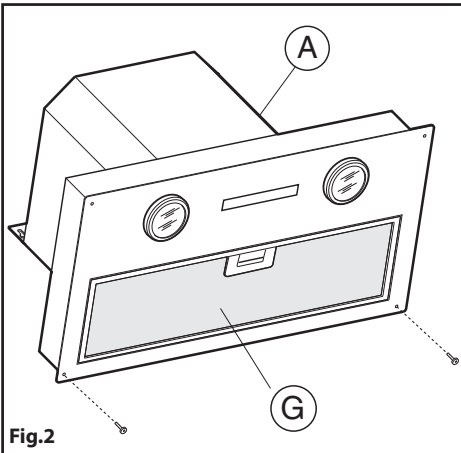


Fig.2

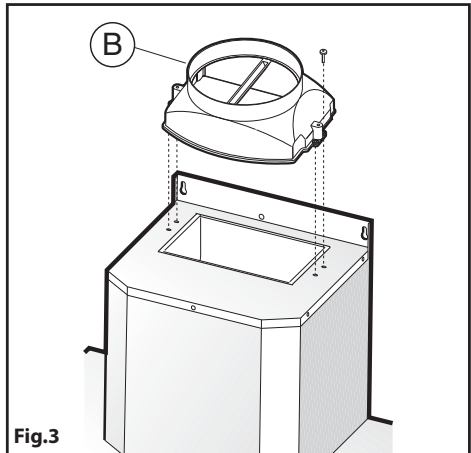
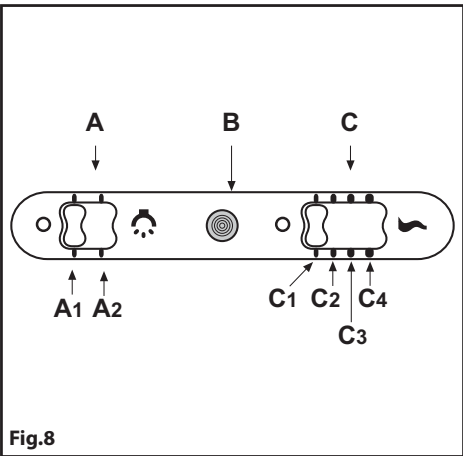
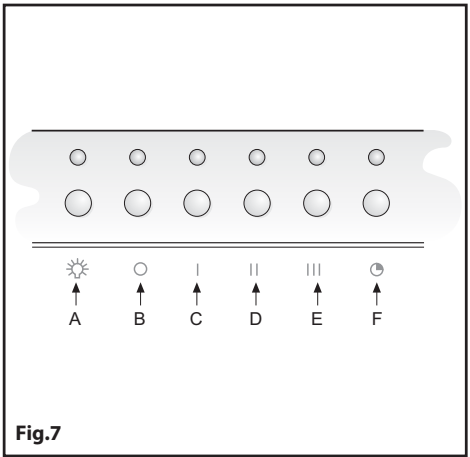
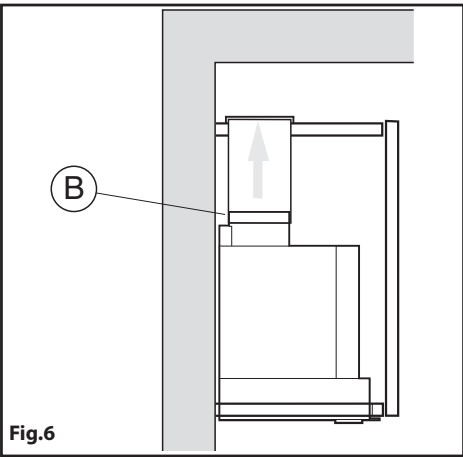
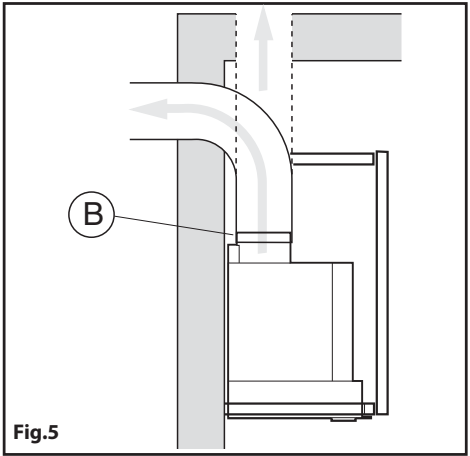
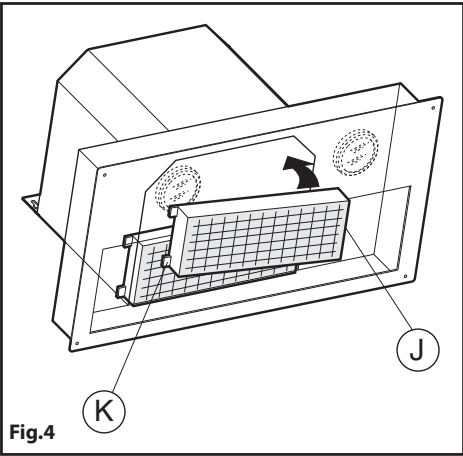


Fig.3



GENERAL

Carefully read the following important information regarding installation safety and maintenance. Keep this information booklet accessible for further consultations. The appliance has been designed for use in the ducting version (air exhaust to the outside), filtering version (air circulation on the inside) or with external motor .

SAFETY PRECAUTION

1. Take care when the rangehood is operating simultaneously with an open fireplace or burner that depend on the air in the environment and are supplied by other than electrical energy, as the rangehood removes the air from the environment which a burner or fireplace need for combustion. The negative pressure in the environment must not exceed 4Pa (4x10⁻⁵ bar). Provide adequate ventilation in the environment for a safe operation of the range hood. Follow the local laws applicable for external air evacuation.

Before connecting the model to the electricity network:

Check the data plate (positioned inside the appliance) to ascertain that the voltage and power correspond to the network and the socket is suitable. If in doubt ask a qualified electrician.

General Warnings.

- The appliance is not intended for use by young children or infirm persons without supervision.
- Young children should be supervised to ensure that they do not play with the appliance.
- If the supply cord is damaged, it must be replaced by the manufacturer or its service agent or a similarly qualified person in order to avoid a hazard.
- There shall be adequate ventilation of the room when the range hood is used at the same time as appliances burning gas or other fuels.
- Ensure that the range hood is cleaned frequently.
- There is a risk of fire if cleaning is not carried out in accordance with the instructions.
- Do not flambé under the range hood.

Warnings for Installation:

- The exhaust air must not be discharged into a flue which is used for exhausting fumes from appliances burning gas or other fuels.
- The minimum distance between the support surfaces of the cooking pots on the cooker top and the lowest part of the rangehood must be at least 65 cm.
- The regulations concerning the discharge of exhaust air have to be fulfilled.

INSTALLATION INSTRUCTIONS

The appliance has been manufactured as a class II, therefore no earth cable is necessary. The connection to the mains is carried out as follows: BROWN = L line BLUE = N neutral If not provided, connect a plug for the electrical load indicated on the description label. Where a plug is provided, the rangehood must be installed in order that the plug is easily accessible. An omnipolar switch with a minimum aperture of 3mm between contacts, in line with the electrical load and local standards, must be placed between the appliance and the network in the case of direct connection to the electrical network.

· If a connection tube composed of two parts is used, the upper part must be placed outside the lower part. Do not connect the range hood exhaust to the same conductor used to circulate hot air or for evacuating fumes from other appliances generated by other than an electrical source. Before proceeding with the assembly operations, remove the anti-grease filter(s) (Fig.3 G) so that the unit is easier to handle. In the case of assembly of the appliance in the suction version prepare the hole for evacuation of the air.

Installation

To properly install the rangehood, proceed as follows: 1.Fixing the rangehood to the lower part of a wall unit 2.Select method of operation (extraction or re-circulation).

Fitting the rangehood to the lower part of a wall unit.

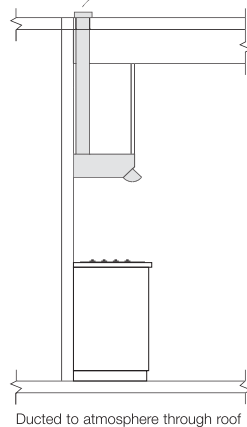
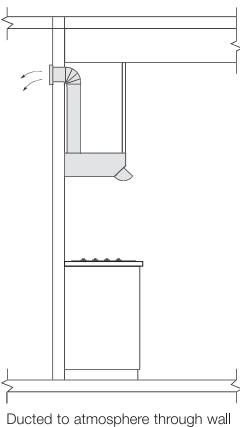
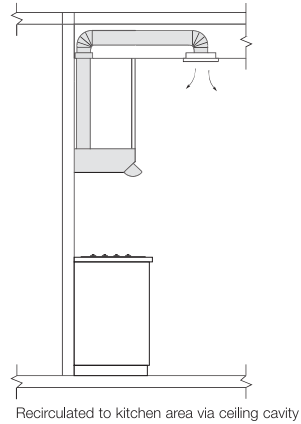
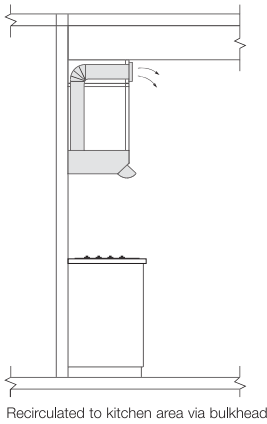
The appliance should be embedded into the wall unit or another support. This process should be carried out by using 4 screws suitable for the kind of unit following the instructions for the drilling of the holes as shown in (Fig. 1)

Exhausting Version

With this type of installation the appliance discharges the vapours externally outside the main wall or an existing exhaust conductor. A non inflammable Ø 150 mm mural telescopic tube (acceptable standard) is necessary and should be connected to the flange B supplied (Fig.5).

Filter Version

To transform the exhausting version to a filter version rangehood, active carbon filters are required and you should ask for them from your local supplier. The active carbon filters purify the air that is recycled within the environment. The filters are not washable or regenerative and must be replaced at least every four (4) months. The saturation of the active carbon depends on the frequent use of the rangehood, from the type of food cooked and the frequency of cleaning the grease. The rectangular filters must be affixed to the exhausting area inside the rangehood. Fit the pivots (K) in the appropriate slots (Fig 4) then, using the appropriate handles, and with a turning movement towards the top slot in the pivots (J) which are located next to the handle. To do this operation remove the grill G (Fig 2). The air is put back into the atmosphere via the connection tube passing through the cabinet to the linking ring B (Fig 6).



Rangehood Installation

Exercise care when a rangehood is installed in an area where a gas burner is operating. Depending on the size of the room, the rangehood may draw from the room air that is necessary for proper combustion of the burner. All Blanco rangehoods are used for indoor application only.

Rangehoods may be installed in two ways:

1. Ducted to the atmosphere (outside).

2. Recirculating.

We recommend ducting to the atmosphere to ensure optimum performance. Recirculating the air back into the room should only be used when outside extraction is not possible. To ensure maximum performance when ducting it is important the ducting that carries the fumes away, be as short and as straight as possible.

When incorporating a rangehood in the design of a kitchen the following points need to be considered to achieve the most benefit from the rangehood.

1. Ducting from a rangehood carrying the exhaust air, should not exceed a length of three (3) metres.

2. For ducted installation we recommend using galvanised or similar metal type flue pipe. PVC pipe is not recommended. encounter a loss in efficiency of approximately 35%. Additional 90° degree bends can cause losses of up to 15% per bend.

4. Ducting size should always comply with the manufacturers specification.

5. We recommend carbon filters be used when re-circulating the air into the room. There will be some loss of air movement when carbon filters are fitted.

3. Ducting containing a 90° degree bend will

USE AND MAINTENANCE

• It is recommended to operate the appliance prior to cooking. It is recommended to leave the appliance in operation for 15 minutes after cooking is terminated in order to completely eliminate cooking vapours and odours. The proper function of the rangehood is conditioned by the regularity of the maintenance operations, in particular, the active carbon filter.

• The aluminium filters capture the grease particles suspended in the air, and are therefore subject to clogging according to the frequency of the use of the appliance. In order to prevent fire hazard, it is recommendable to clean the filter at a maximum of 2 months by carrying out the following instructions:

-Remove the filters from the cooker hood and wash them in a solution of water and neutral liquid detergent, leaving to soak.

- Rinse thoroughly with warm water and leave to dry.

-The aluminium filters may also be washed in the dishwasher. The aluminum panels may alter in colour after several washes. This is not cause for customer complaint nor replacement of panels.

• The active carbon filters purify the air that is replaced in the environment. The carbon filters are not washable nor re-useable and must be replaced at maximum every four (4) months. The saturation of the active carbon filter depends on the frequency of use of the appliance, by the type of cooking and the regularity of cleaning the anti-grease filters.

• Clean the fan and other surfaces of the rangehood regularly using a cloth moistened with a non abrasive liquid detergent.

• The rangehood lighting is designed for use during cooking and not for prolonged general illumination of the environment. Prolonged use of the lighting notably reduces the duration (life) of the bulb.

• To replace the halogen lamp. With a small blade, remove the metal surround holding the glass in place. The lamp can be pulled outward from its socket.

• Commands Fig.7 :

ELECTRONIC the key symbols are explained below:

A = LIGHT

B = OFF

C = SPEED I

D = SPEED II

E = SPEED III

F = AUTOMATIC STOP TIMER - 15 minutes (*)

• If your appliance does not have the **INTENSIVE** speed function, press key E for two seconds and it will be

activated for 10 minutes after which it will return to the previously set speed. When the function is active the LED flashes. To interrupt it before the 10 minutes have expired press key **E** again.

- By pressing key **F** for two seconds (with the hood switched off) the “**clean air**” function is activated. This function switches the appliance on for ten minutes every hour at the first speed. As soon as this function is activated the motor starts up at the first speed for ten minutes, During this time key **F** and key **C** must flash at the same time.

After ten minutes the motor switches off and the LED of key **F** remains switched on with a fixed light until the motor starts up again at the first speed after fifty minutes and keys **F** and **C** start to flash again for ten minutes and so on.

By pressing any key for the exclusion of the hood light the hood will return immediately to its normal functioning (e.g. if key **D** is pressed the “**clean air**” function is deactivated and the motor moves to the 2nd speed straight away. By pressing key **B** the function is deactivated).

(*) The “automatic stop timer” delays stopping of the hood, which will continue functioning for 15 minutes at the operating speed set at the time this function is activated.

• **Active carbon/grease filter saturation:**

- When button **A** flashes at a frequency of **2 seconds**, the **grease** filters must be cleaned.

- When button **A** flashes at a frequency of **0.5 seconds**, the **carbon** filters must be replaced.

After the clean filter has been replaced, the electronic memory must be reset by pressing button **A** for approximately **5 seconds**, until the light on the button stops flashing.