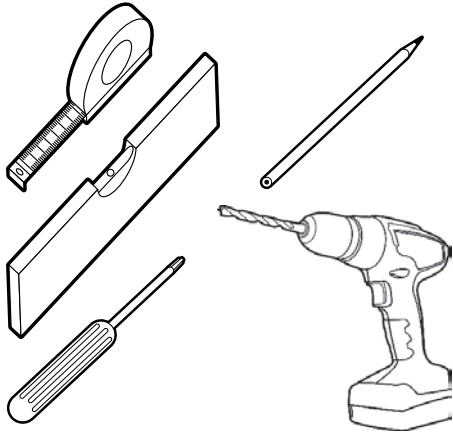


Clear **VIEW** Cordless Aluminium Venetian Installation Instructions

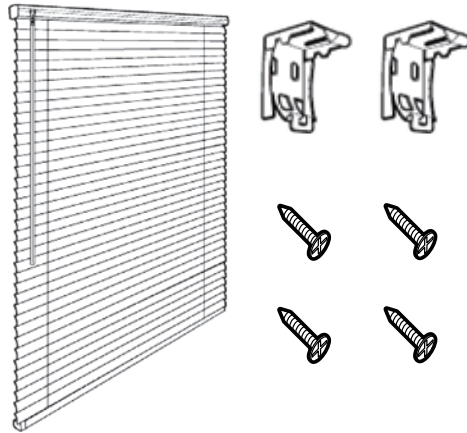
Tools Required



Use these tools for easy DIY installation.

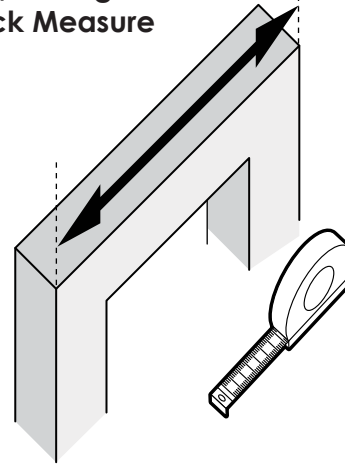
- METAL TAPE MEASURE • SPIRIT LEVEL • PENCIL
- PHILIPS HEAD SCREW DRIVER • 2mm DRILL BIT • DRILL

Components



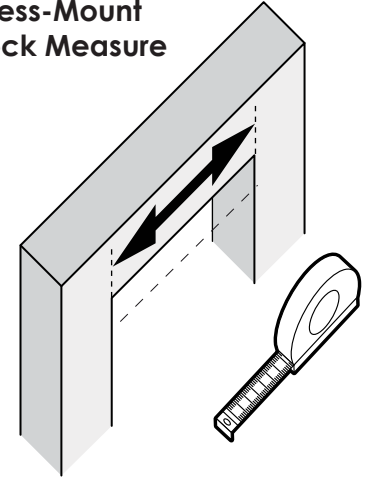
Before installation, always perform a check to ensure all blind parts and componentry is present.

Face/Ceiling-Mount Check Measure



Face Mounted blinds are fixed to either: Architrave, Lintel/Wall or ceiling above the window frame. Measure width to cover opening as shown above.

Recess-Mount Check Measure



Recess Mounted blinds are fixed inside the window frame. Measure width to fill opening as shown above.

Fixings Included

Screws for fitting to Architrave, Lintel/Wall or Ceiling Joist/Beam. Not suitable for fixing to brick or metal.



NOTE: ALTERNATE FIXINGS ARE REQUIRED IF FITTING TO BRICK OR METAL DEPENDING ON YOUR SPECIFIC APPLICATION/LOCATION

Screws have been provided for fixing brackets to architrave or timber frame. If fitting to plaster, use Plugs provided.

***ALTHOUGH THIS BLIND IS DESIGNED TO HAVE NO LOOSE CORDS WE STILL RECOMMEND NOT TO PLACE COTS NEAR WINDOWS**



THIS BLIND REQUIRES NO CLEAT

! WARNING

To avoid creating a possible strangulation hazard for children, the corded internal window covering must be installed in such a way that a loose cord cannot form a loop 220mm or longer at a height of less than 1600mm above floor level.

A cord guide may be installed lower than 1600mm above floor level if the cord is sufficiently secured or tensioned to prevent a loop 220mm or longer from being formed.

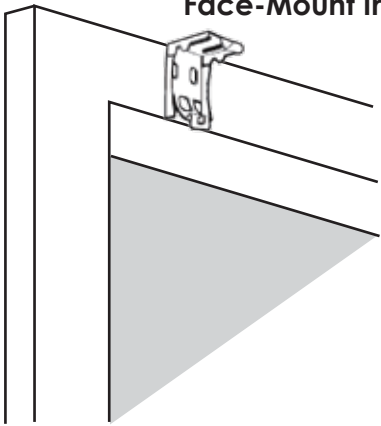
If a cord guide is installed lower than 1600mm above floor level it must be designed to prevent a child from being able to remove the cord.

If a cleat is used to secure the cord it must be at least 1600mm above floor level because a child is capable of unwinding a cord from a cleat.

Clear **VIEW** Cordless Aluminium Venetian Installation Instructions

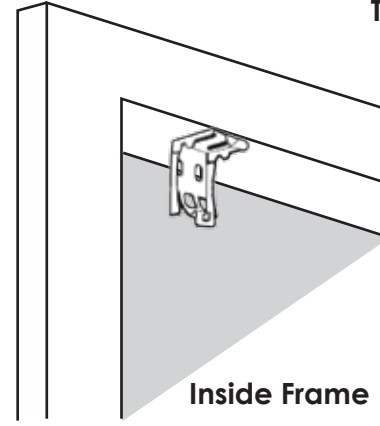
ALWAYS MEASURE AND MARK LEVEL BRACKET POSITIONS BEFORE PRE-DRILLING PILOT HOLES

Face-Mount Installation



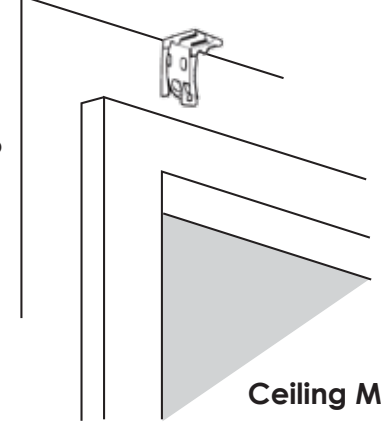
Secure to Architrave or Wall as shown above using screws provided. Use plaster plugs if fixing to wall.

Top-Mount Installation



Inside Frame

Secure to top of window frame or to ceiling as shown.

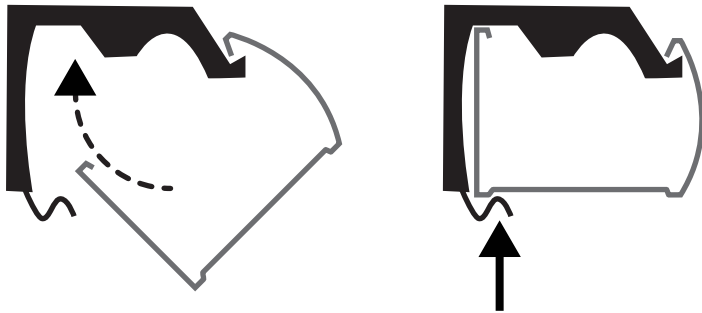


Ceiling Mount*

NOTE: ALTERNATE FIXINGS ARE REQUIRED IF FITTING TO BRICK OR METAL DEPENDING ON YOUR SPECIFIC APPLICATION/LOCATION

***NOTE:** CEILING MOUNT MUST BE FIXED TO JOIST/BEAM FAILURE TO DO SO COULD RESULT IN DAMAGE AND/OR INJURY

Insert Blind into Brackets



Lock into place

Lift blinds into brackets by resting headrail on the front of the bracket and twisting back until it clicks into place.



Your blind is now ready to lift or lower by simply using your hand to pull bottom rail down or push back up



Hook wand into place and simply rotate in either direction to tilt the slats forwards or backwards



WARNING

To avoid creating a possible strangulation hazard for children, the corded internal window covering must be installed in such a way that a loose cord cannot form a loop 220mm or longer at a height of less than 1600mm above floor level.

Maintenance

Dust periodically. Use warm soapy water and soft cloth to clean if required.