

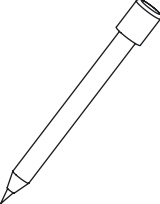
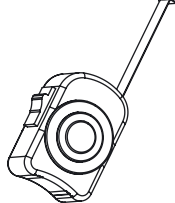
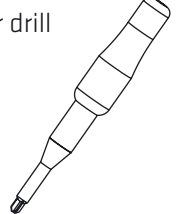
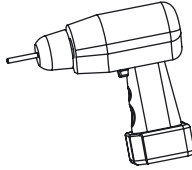
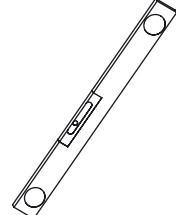
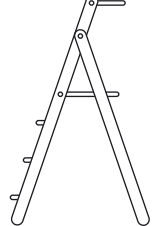


ZONE INTERIORS OFFERS A FULL CUT TO SIZE SERVICE FOR CUT & SHORTEN - PLEASE REFER TO CUT TO SIZE ORDER SHEET IN-STORE.

Cut to size available

CONGRATULATIONS ON PURCHASING OUR CORD SAFE CELLULAR BLINDS. THIS PRODUCT CONTAINS NO EXTERNAL CORDS THAT CAN POSE AS A STRANGULATION HAZARD WITH OTHER STYLES OF BLINDS. ZONE INTERIORS RANGE ALSO INCLUDES A CORD-SAFE VENETIAN BLIND. SEE INSTORE OR WWW.ZONEINTERIORS.COM.AU FOR MORE DETAILS.

TOOLS NEEDED

<p>Pencil</p> 	<p>Measuring tape</p> 	<p>Phillips screwdriver or drill</p> 	<p>Drill & drill bits</p> 	<p>Spirit level</p> 	<p>Step ladder</p> 
---	---	--	--	---	--

STEPS

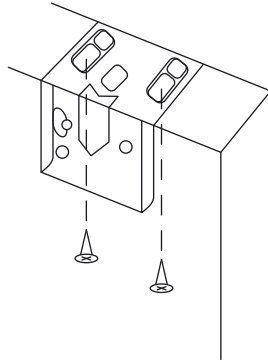
Step 1.

Pencil mark the mounting screw holes at the top of the bracket.
Position the brackets about 50mm from each end of the head rail. Avoid placing brackets over the spring box or cord spool. Position any other brackets evenly along the head rail.
Use a spirit level at the top of the brackets to ensure that the brackets are level. The blind needs to be level to operate correctly.
Drill holes at the pencil marked locations.

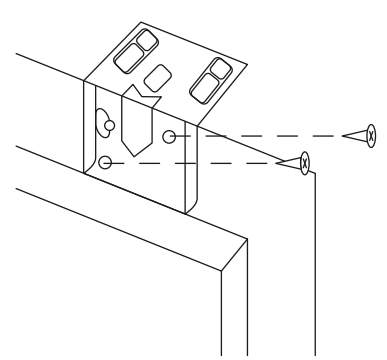
Step 2.

Secure the brackets with the mounting screws provided.
When mounting brackets on wallboard or plaster, use a suitable wall plug or toggle for plasterboard.

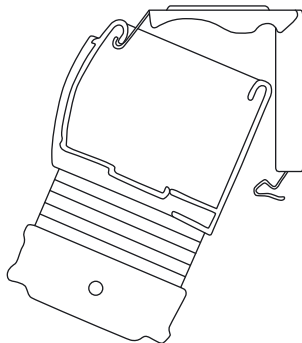
RECESS FIT (inside window mount)



FACE FIT (outside window mount)

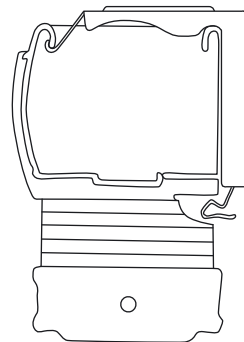


SECURE THE HEAD RAIL



Step 1.

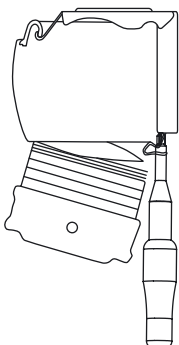
Lift the head rail into position so that the front edge of each bracket is sliding under the front edge of the head rail.



Step 2.

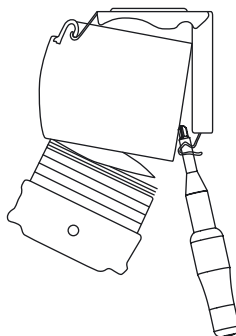
Gently push back on the head rail and twist the back edge up to lock it in place.

REMOVING THE HEAD RAIL FROM THE BRACKETS



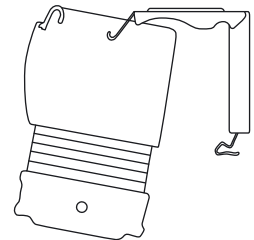
Step 1.

Position screwdriver in the spring clip at the base of the bracket.



Step 2.

Gently push the head rail forward while moving the screwdriver in the opposite direction.

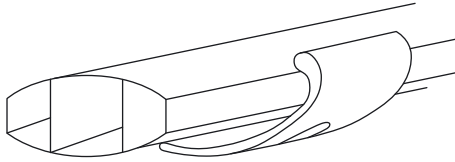




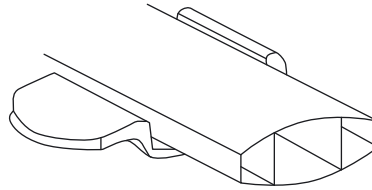
**ZONE INTERIORS OFFERS A FULL CUT TO SIZE SERVICE FOR CUT & SHORTEN
- PLEASE REFER TO CUT TO SIZE ORDER SHEET IN-STORE.**

Cut to size
available

ATTACHING THE OPERATING HANDLE



Step 1.
Locate the centre of the bottom rail. Gently lift the fabric out of the way. Fasten the top of the handle onto the middle backside of the bottom rail.

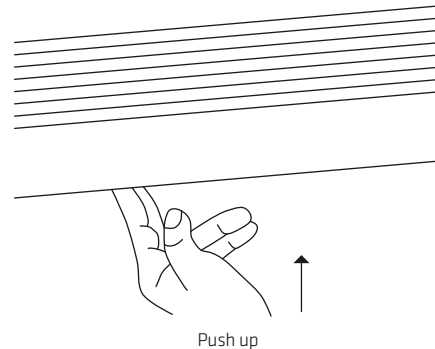
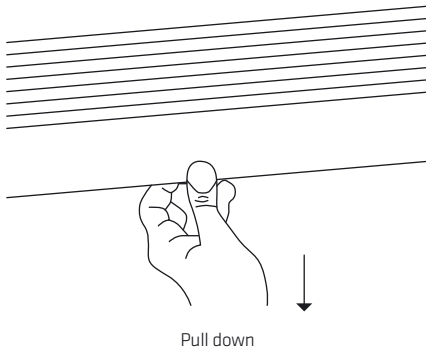


Step 2.
Rotate the handle upward until it snaps into place.

**FITTING HOLD DOWN CLIPS
(if required)**

Step 1.
Fully lower the blind to determine the position of the hold down clips at the base of the window.
Step 2.
Secure the hold down clips with the screws provided.

OPERATING THE BLIND



NOTE: When first installed, blind should be left down for at least 24hrs to enable the pleats to relax.

CARE INSTRUCTIONS

**CAUTION: Do not allow cleaning agents to come in contact with fabric.
DO NOT USE CHEMICAL CLEANERS ON CELLULAR FABRIC.**

1. General Cleaning

The cellular blind may gather dust and from time to time need cleaning. Use a hairdryer on cold to gently remove dust.

2. Spot Cleaning

The cellular fabric should be treated carefully and gently when spot cleaning. Use a damp cloth with a very mild detergent and gently 'dab' the affected area. Harsh rubbing will remove the stiffening and possibly the colour of the fabric and distort its surface. It is vital that the fabric not be crease during this process.

3. Insects

Occasionally insects may get trapped and die in the blind cells. Use a hairdryer on cold and blow through the ends of the cells to remove the insects. Leaving insects inside the cells when drawing the blind up may cause the fabric to mark.

IMPORTANT:

Please refer to the below warnings concerning other window furnishings you have around the house to ensure you minimise any existing strangulation risks. Please share with your family and friends to help make all homes / dwellings a safer place for everyone.

! WARNING

1. A cord guide may be installed lower than 1600mm above floor level if the cord is sufficiently secured or tensioned to prevent a loop 220mm or longer from being formed.
2. If a cord guide is installed lower than 1600mm above floor level it must be designed to prevent a child from being able to remove the cord.
3. If a cleat is used to secure the cord it must be at least 1600mm above floor level because a child is capable of unwinding a cord from a cleat.

! WARNING

WARNING: Young children have died by wrapping loose curtain and blind cords or chains around their necks. Secure cords or chains with cord guides or keep them out of reach by winding them around a cleat. Move cots and furniture away from window covering cords or chains. Do not remove this label.

WARNING: Looped cords, looped bead chains or other flexible looped devices may cause a strangulation hazard for children under 5 years. KEEP CORDS AND CHAINS OUT OF REACH OF CHILDREN.

WARNING: To avoid creating a possible strangulation hazard for children, the window covering must be installed in such a way that a loose cord cannot form a loop 220mm or longer at a height of less than 1600mm above the floor.