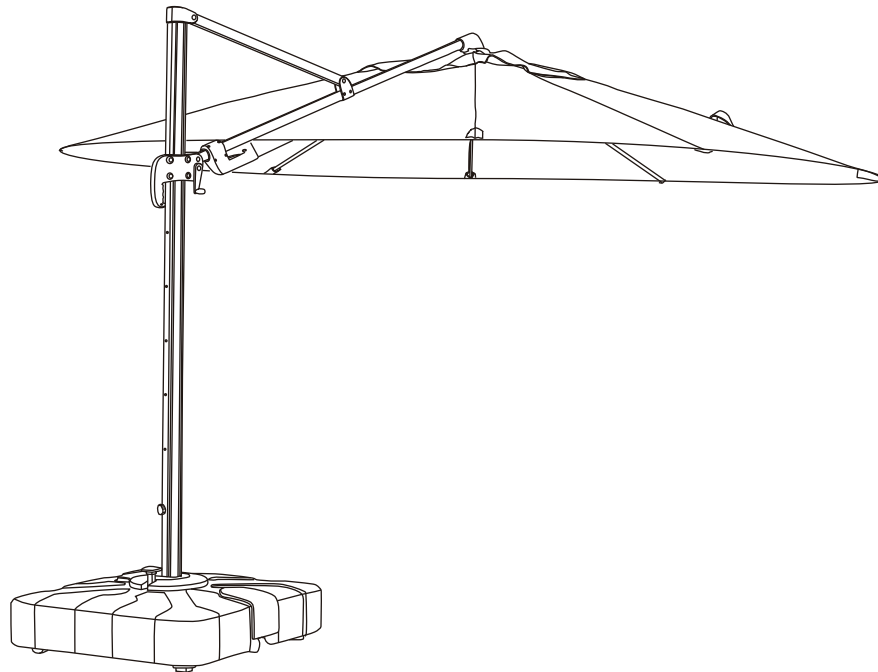
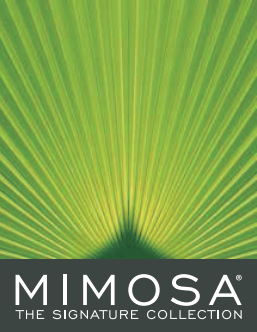


3.5M ANDAMAN CANTILEVER UMBRELLA




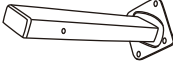



Assembly Instructions



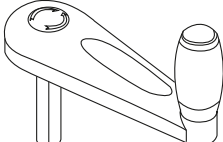
Item No. 3191891



Please carefully read the below warnings and instructions. Save the instructions for future reference.

1. Please carefully read all instructions before assembly and use
2. Please separate and identify all parts, ensuring that you have all parts listed
3. To avoid damaging your umbrella, it is recommended that you assemble it on a clean, protected surface
4. Washers must be used when indicated during the assembly process
5. Loosely tighten the nuts and then securely tighten when all are in position. Be careful not to over tighten the nuts during assembly.

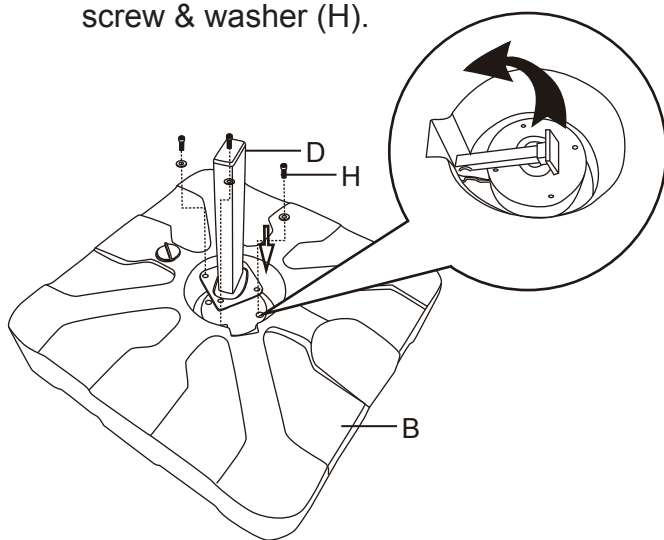
PARTS LIST		
CODE	PARTS	QTY.
A	 Frame & Canopy	1PC
B	 Plastic Base	1PC
C	 Housing Cover	1PC
D	 Square Tube	1PC
E	 Rotary Knob	1PC
F	 Stay Pole	1PC
G	 Umbrella Cover	1PC

HARDWARE LIST		
CODE	PARTS	QTY.
H	 Screw & Washer	4PCS
I	 Allen Key	1PC
J	 Crank	1PC

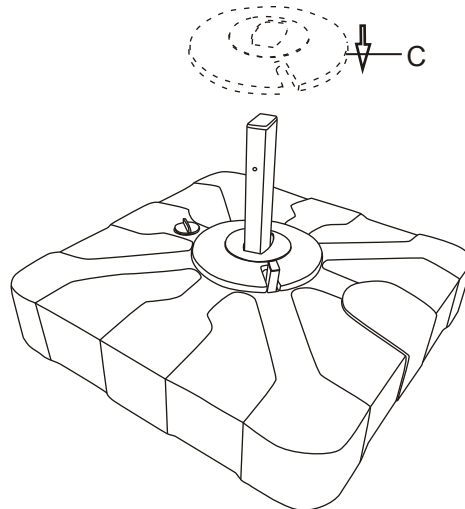
Assembling Instruction

MIMOSA®
THE SIGNATURE COLLECTION

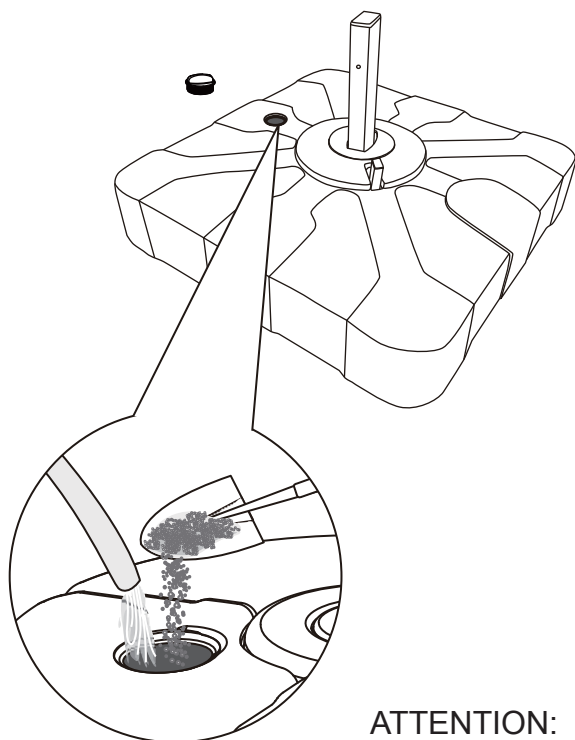
- 1 Fix the square tube (D) with the plastic base (B) using screw & washer (H).



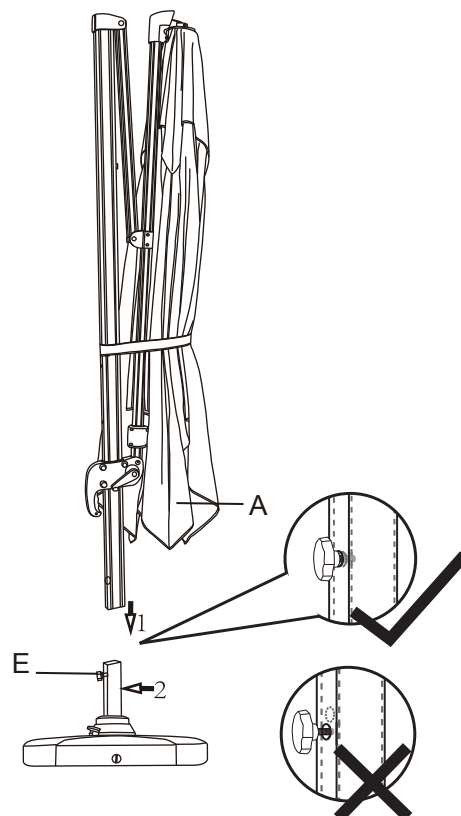
- 2 Place the plastic circle (C) onto umbrella base pole.



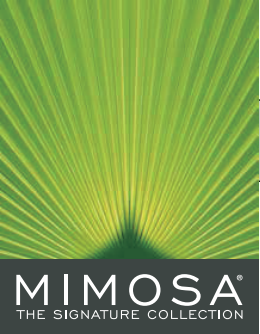
- 3 Fill the base with water or sand to make it stable.



- 4 Place the frame & canopy (A) onto the umbrella base pole, using rotary knob (E) to fix.



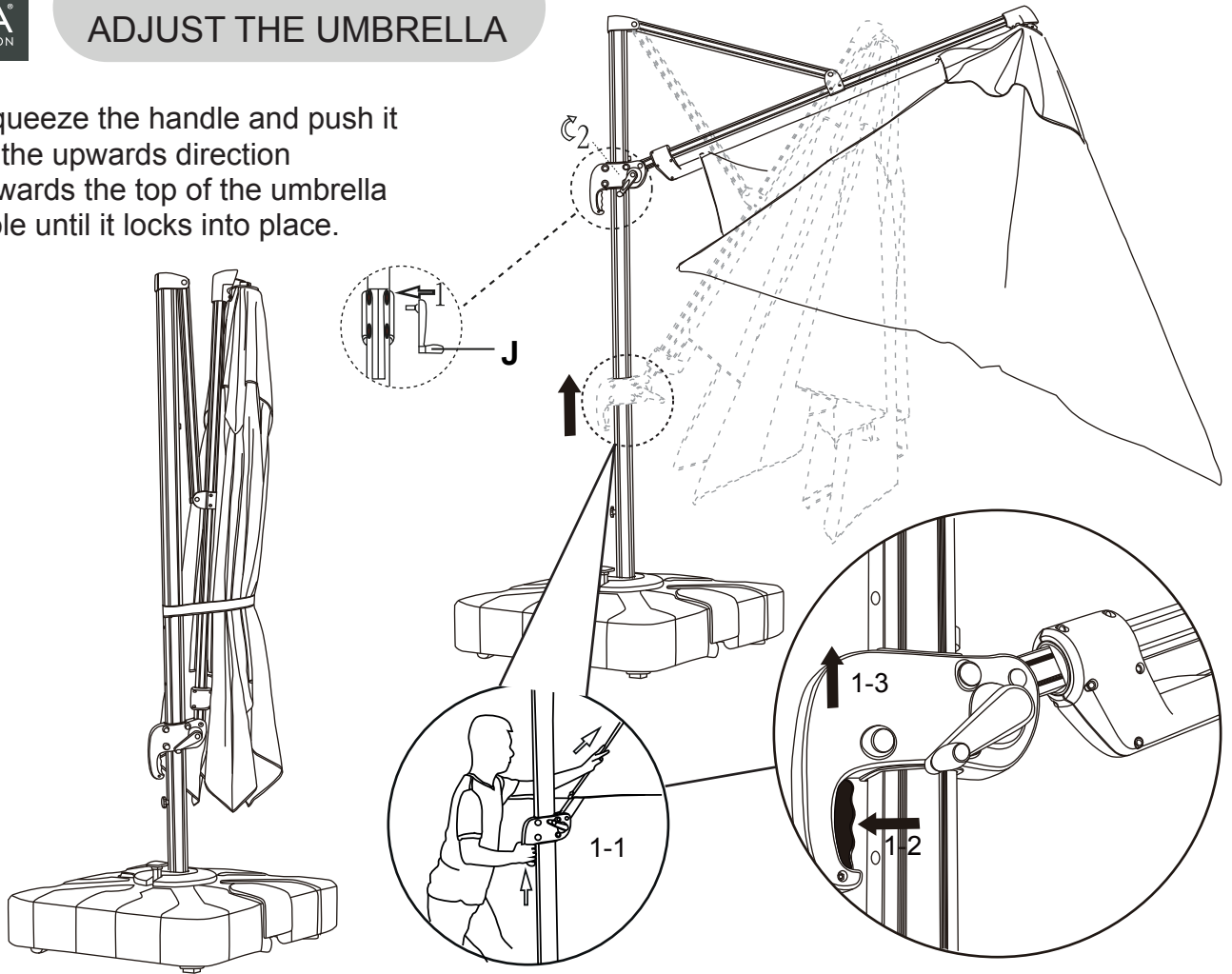
ATTENTION: The base needs to be secured with water or sand to help keep the umbrella stable.



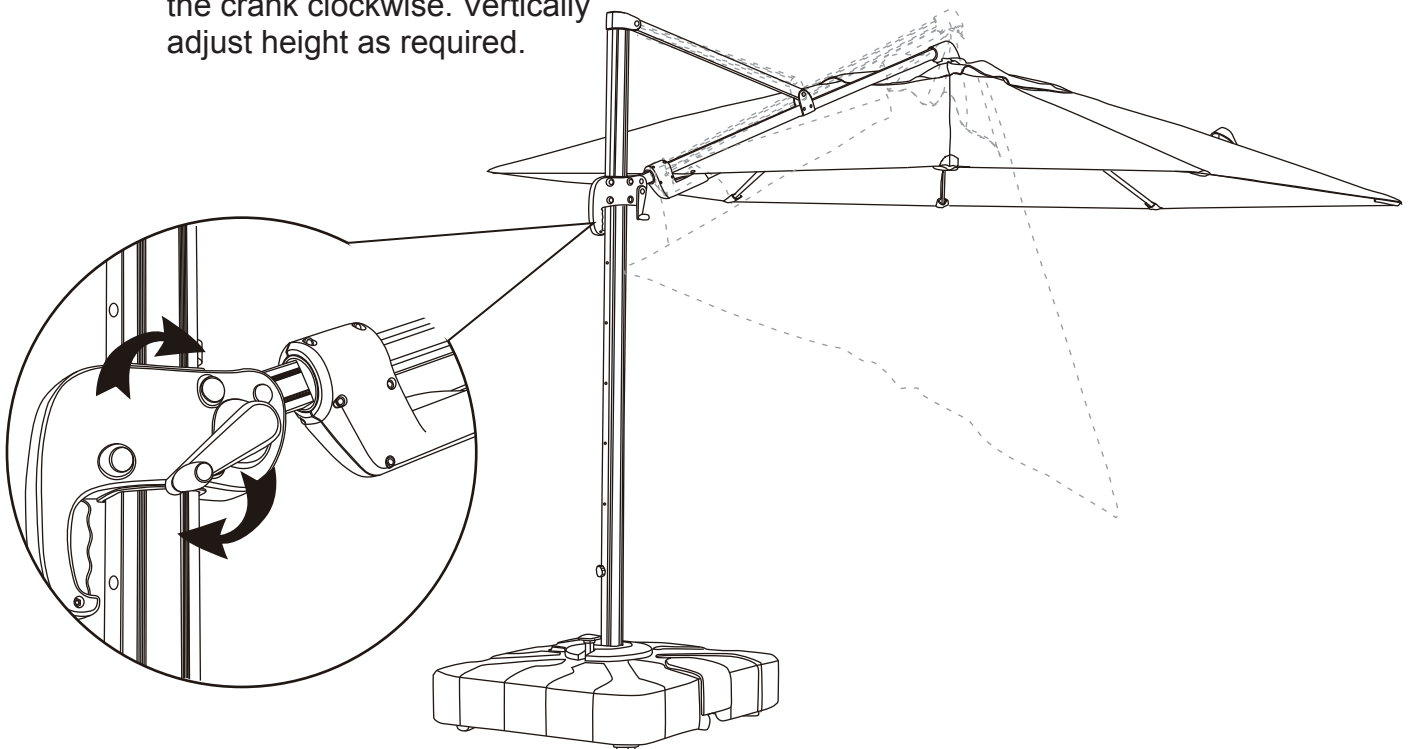
Operating Instruction

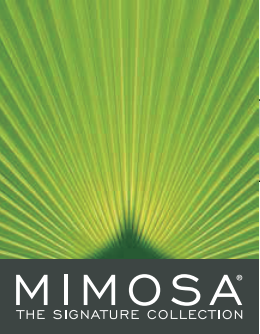
HOW TO OPEN AND ADJUST THE UMBRELLA

- 5** Squeeze the handle and push it in the upwards direction towards the top of the umbrella pole until it locks into place.



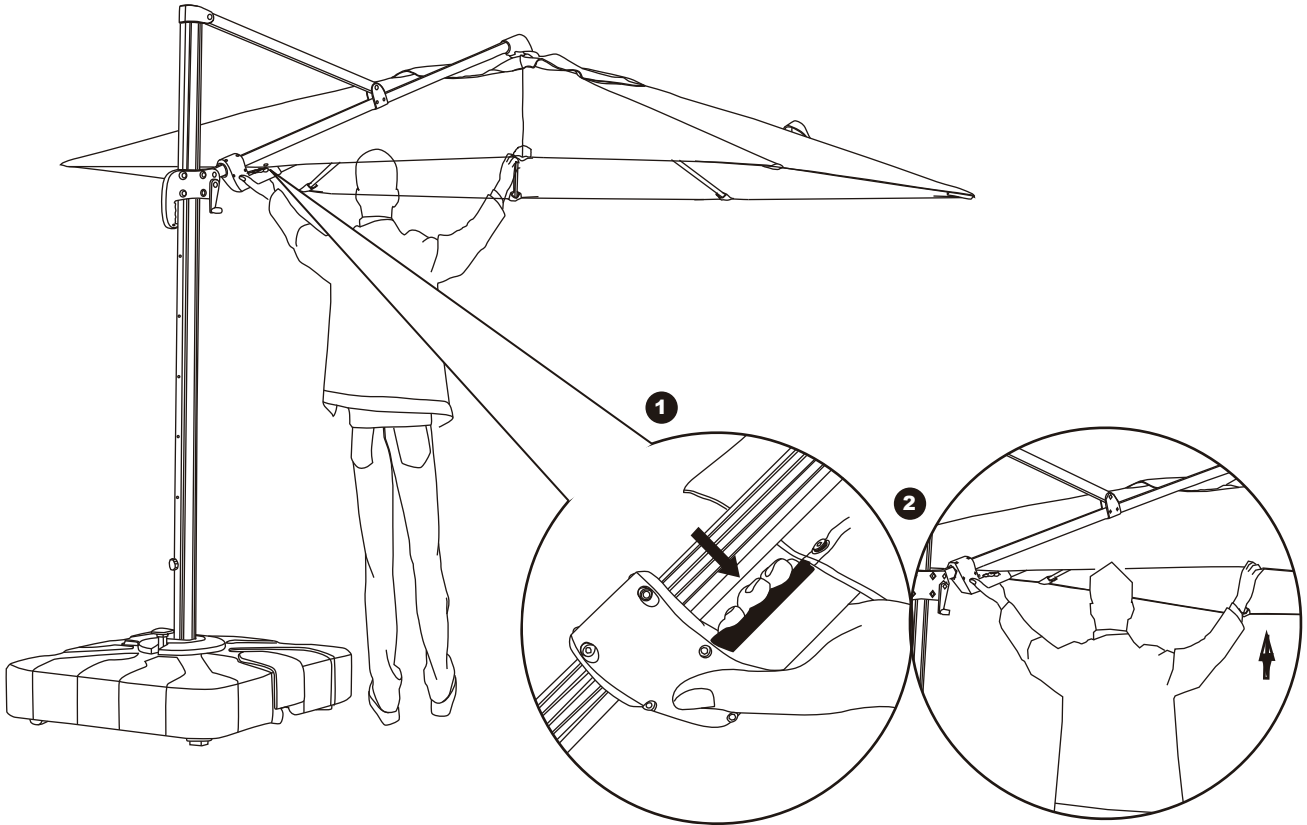
- 6** Open the umbrella by rotating the crank clockwise. Vertically adjust height as required.



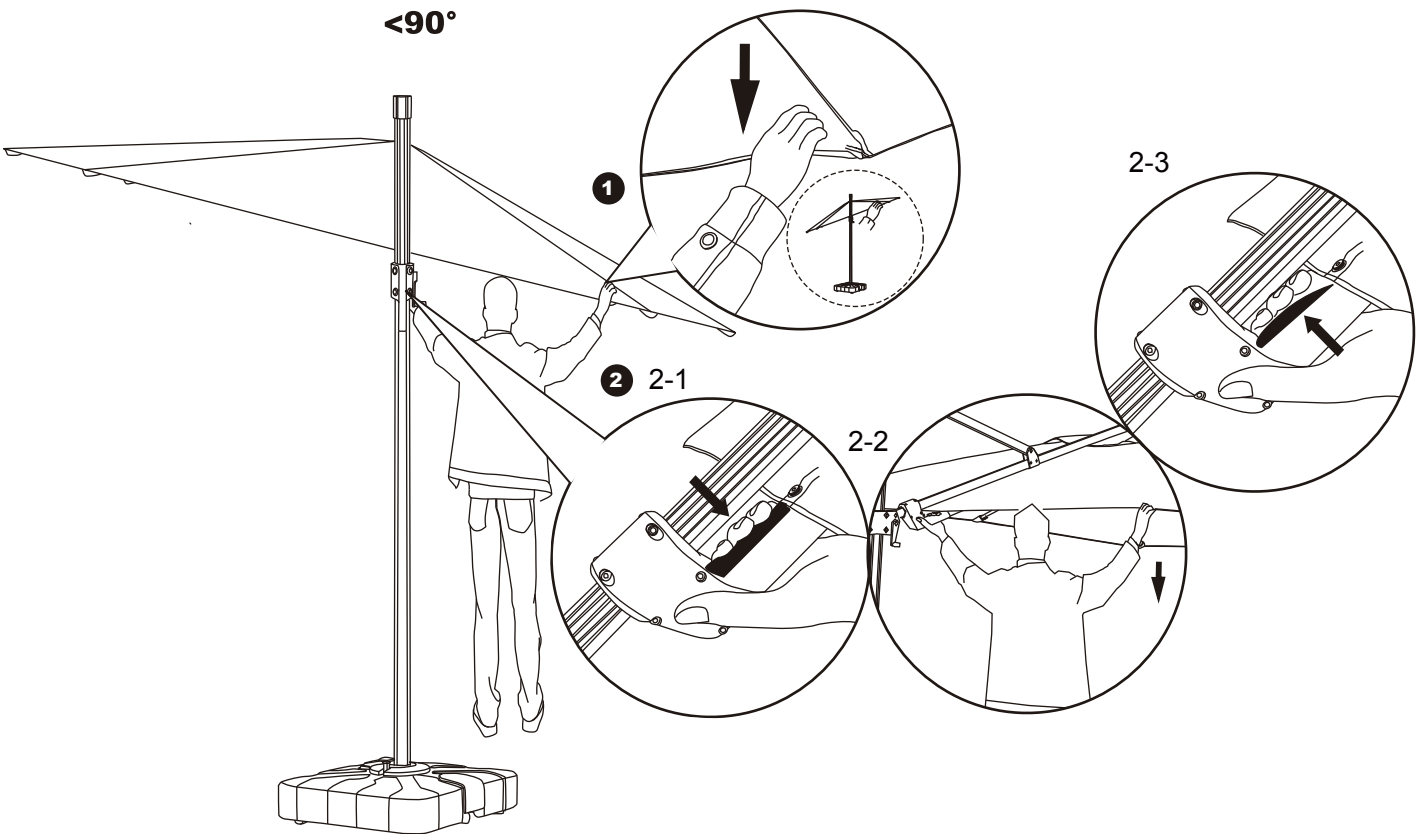


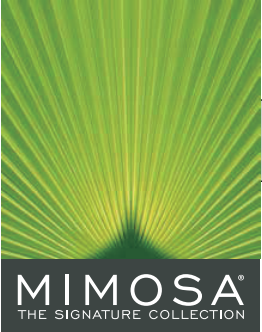
Operating Instruction

7 Click to tilt umbrella angle as you like (approx 90 degree of each side) .



8

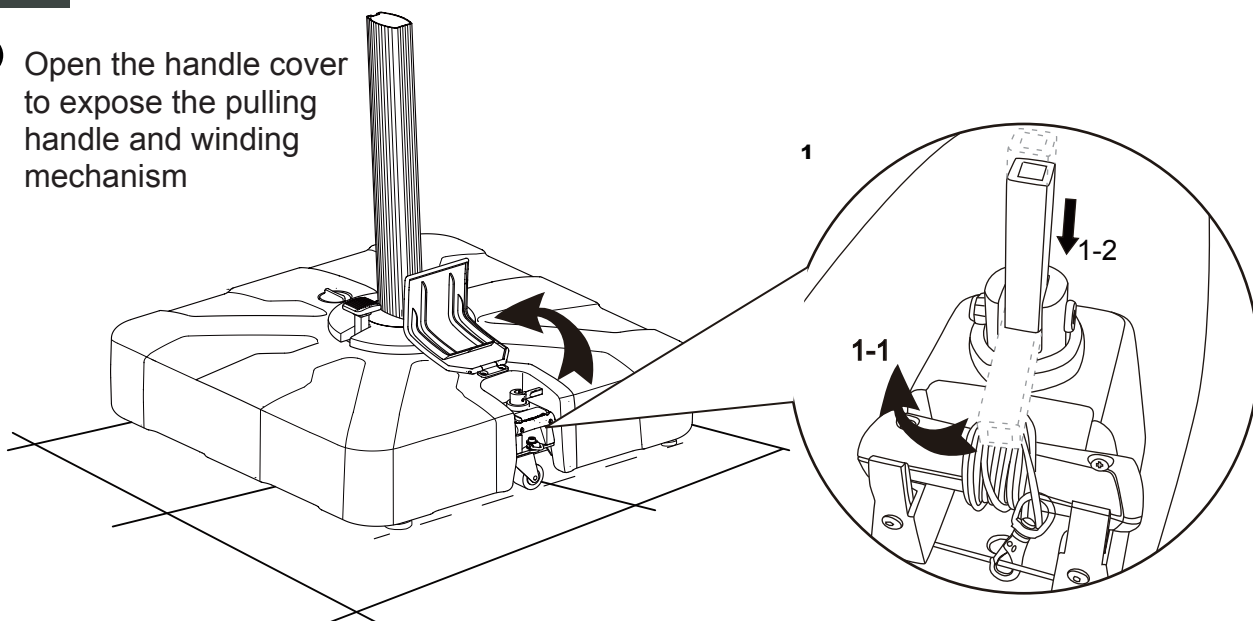




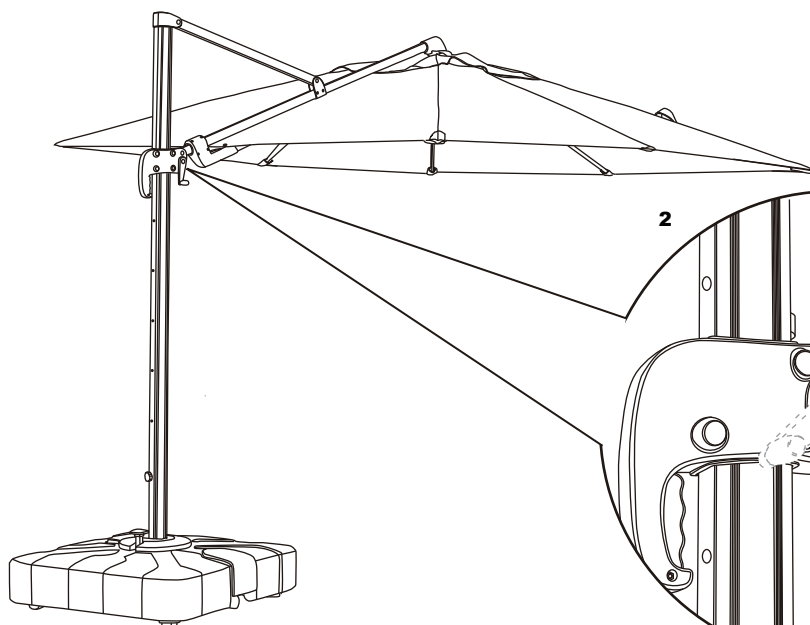
Operating Instruction

HOW TO RELOCATE YOUR UMBRELLA

9 Open the handle cover to expose the pulling handle and winding mechanism

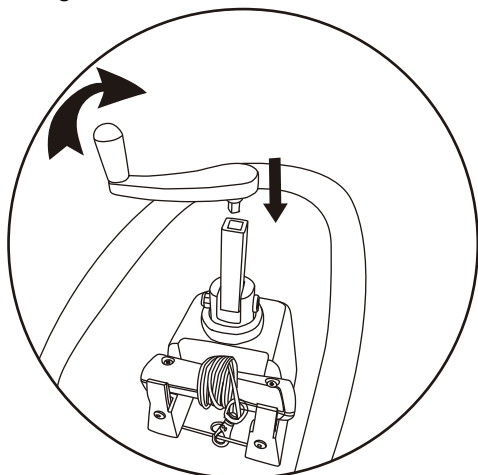


10

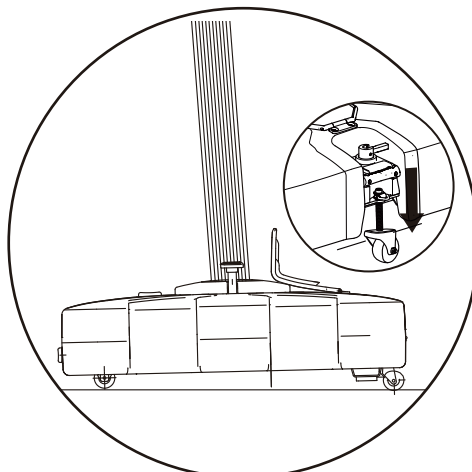


Remove the crank handle from the pole and insert into the base winding mechanism.

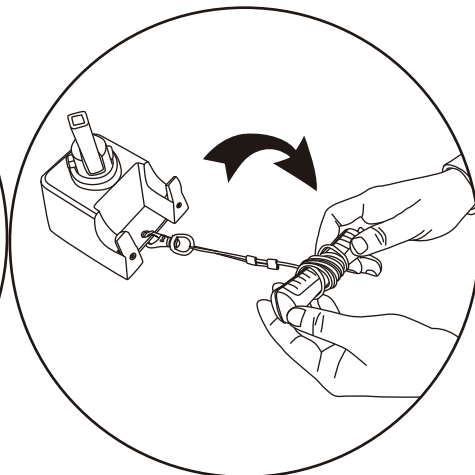
3

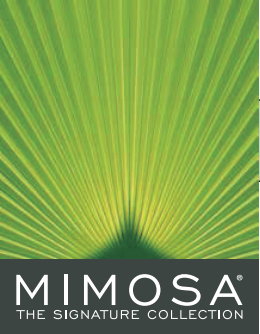


4



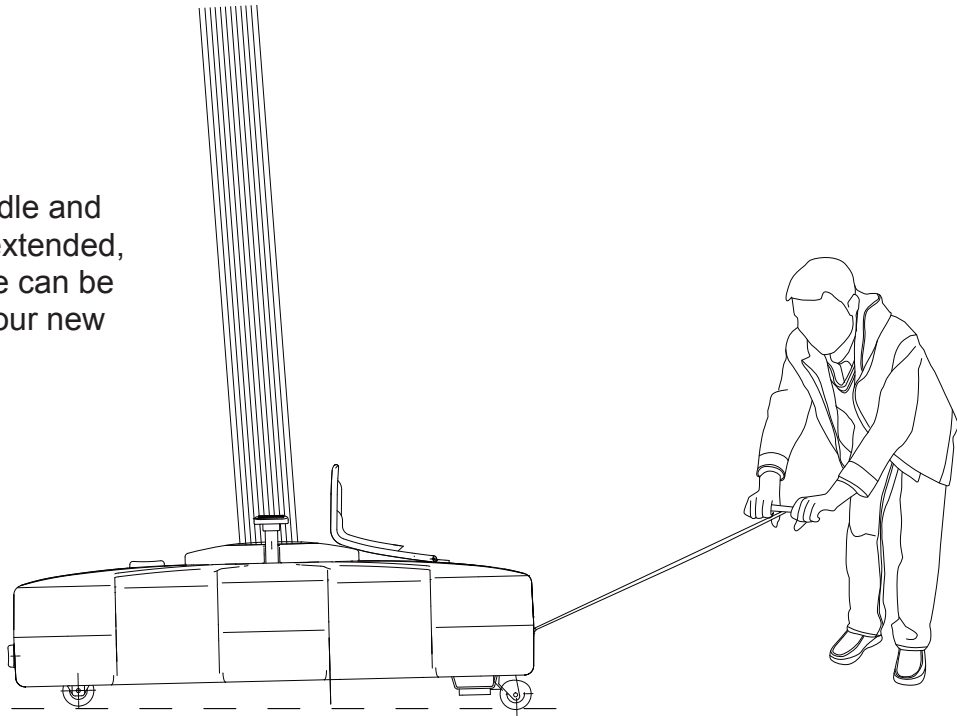
5 Unwind the handle and cord



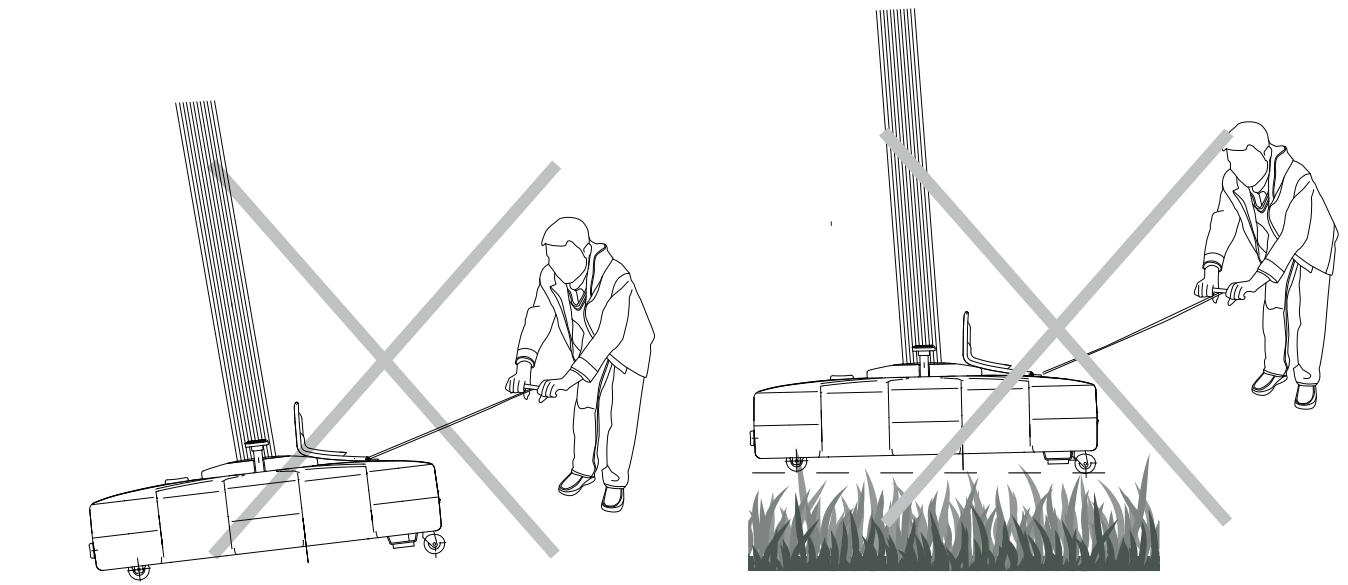


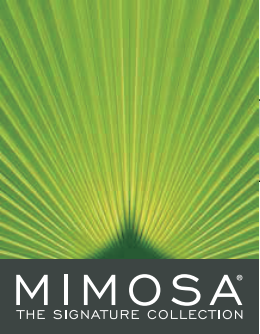
Operating Instruction

- 11 Now that the handle and wheels are fully extended, the umbrella base can be easily pulled to your new location



- 12 Do not attempt to pull your umbrella up a steep slope or grassed surface.

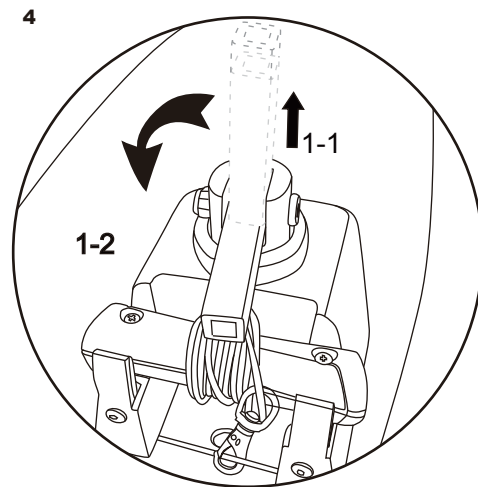
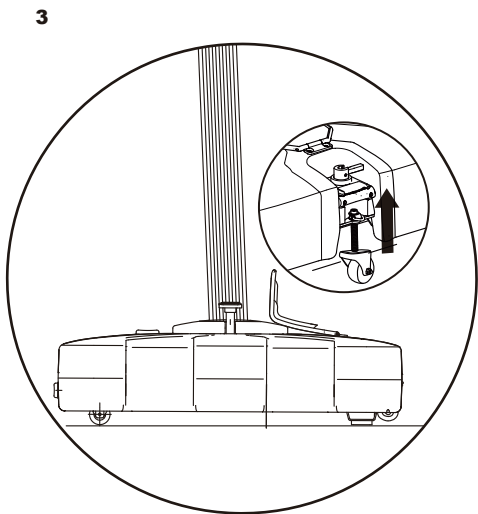
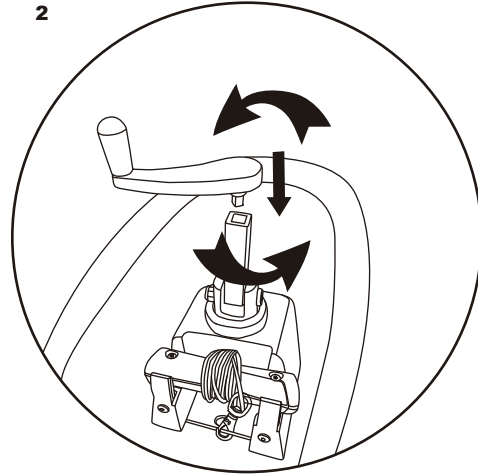
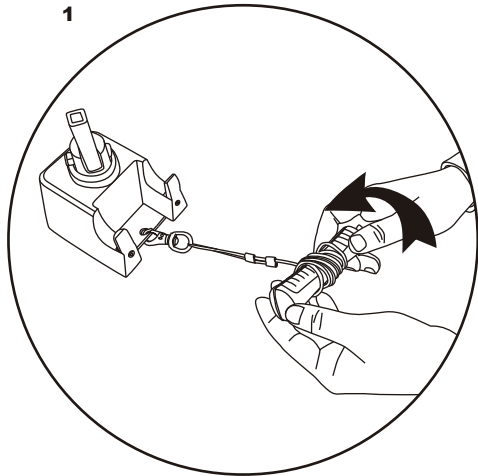




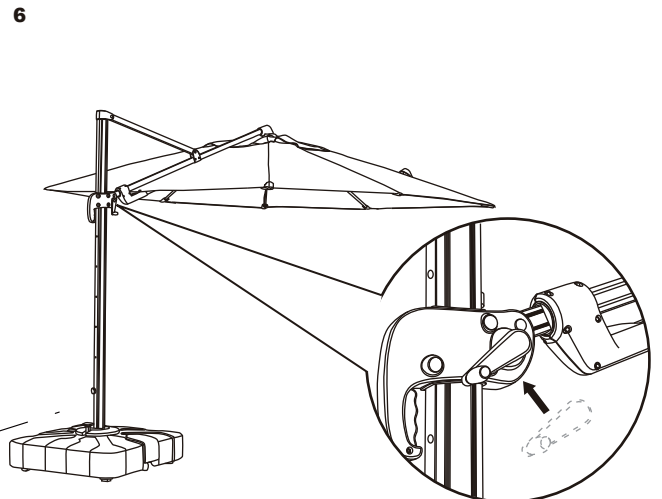
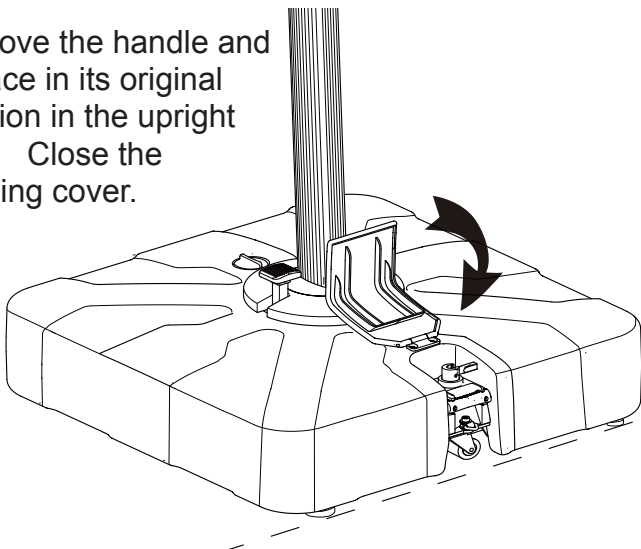
Operating Instruction

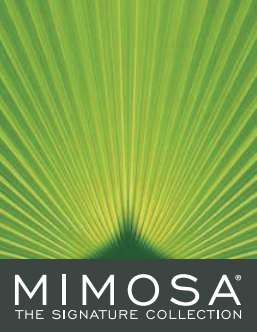
Once the umbrella base is in the desired location, wind up the cord and handle and store in base. Retract the wheels by winding the handle in an anti-clockwise direction.

13



Remove the handle and replace in its original position in the upright pole. Close the housing cover.

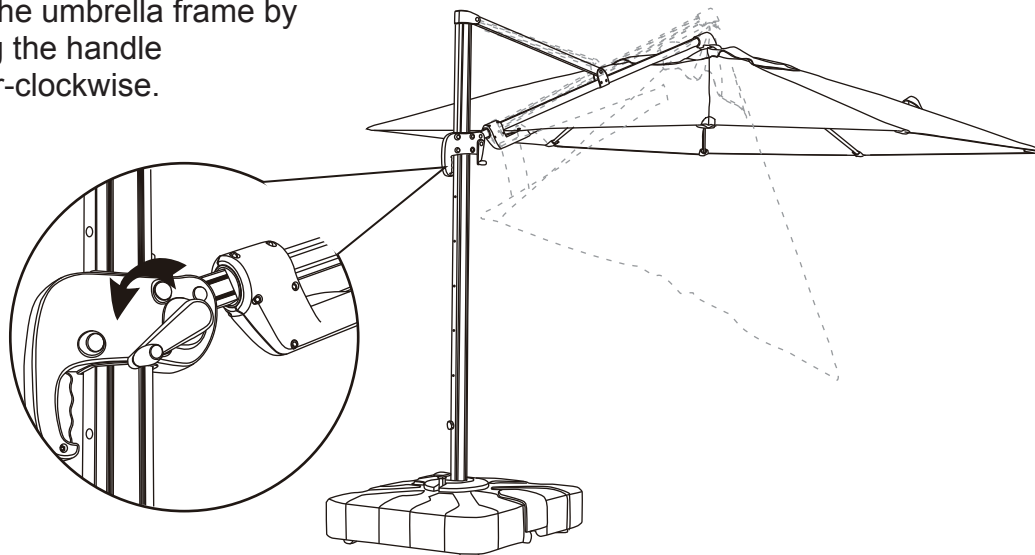




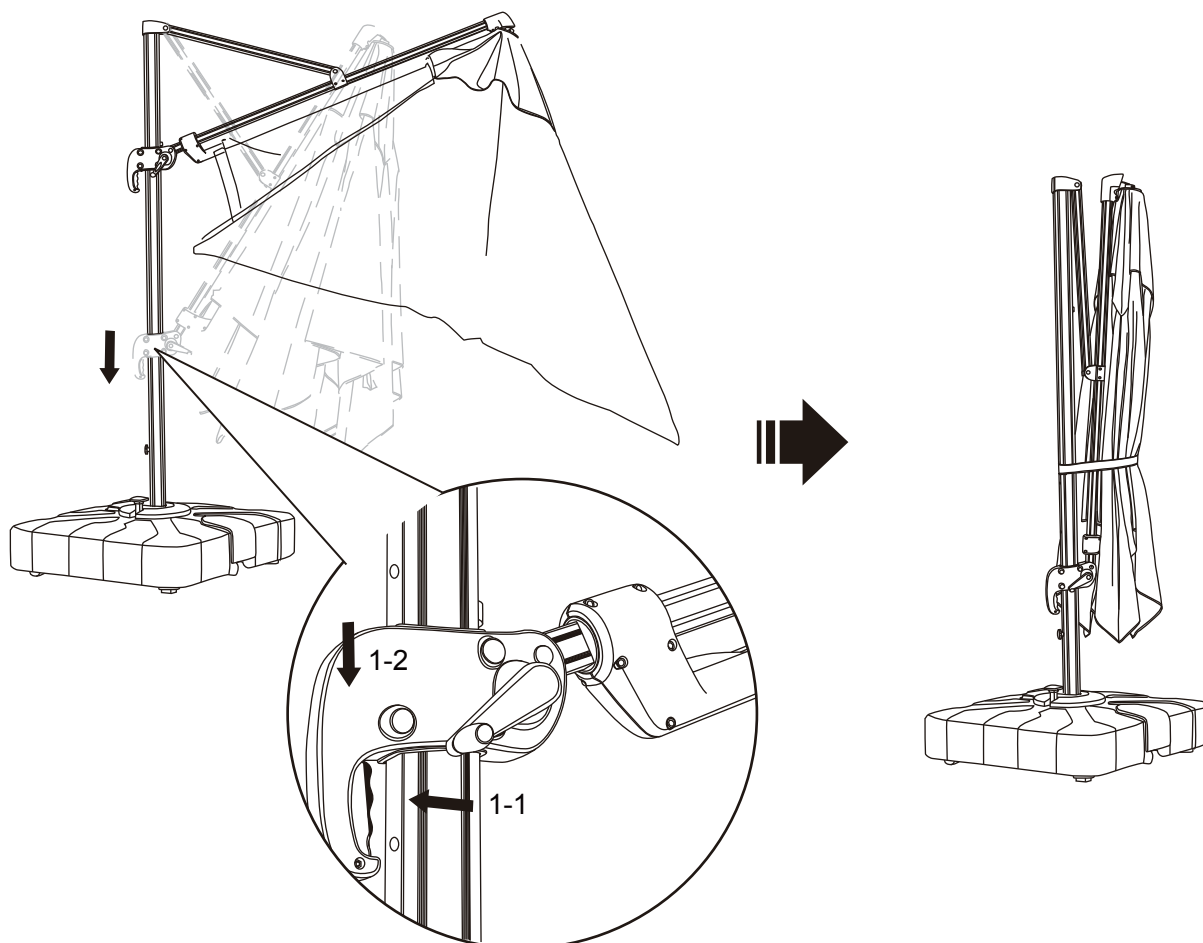
Operating Instruction

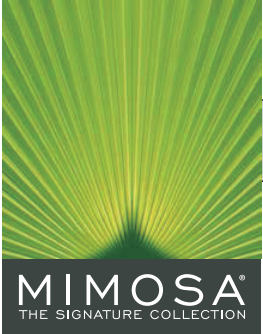
HOW TO CLOSE THE UMBRELLA

- 14** Close the umbrella frame by rotating the handle counter-clockwise.



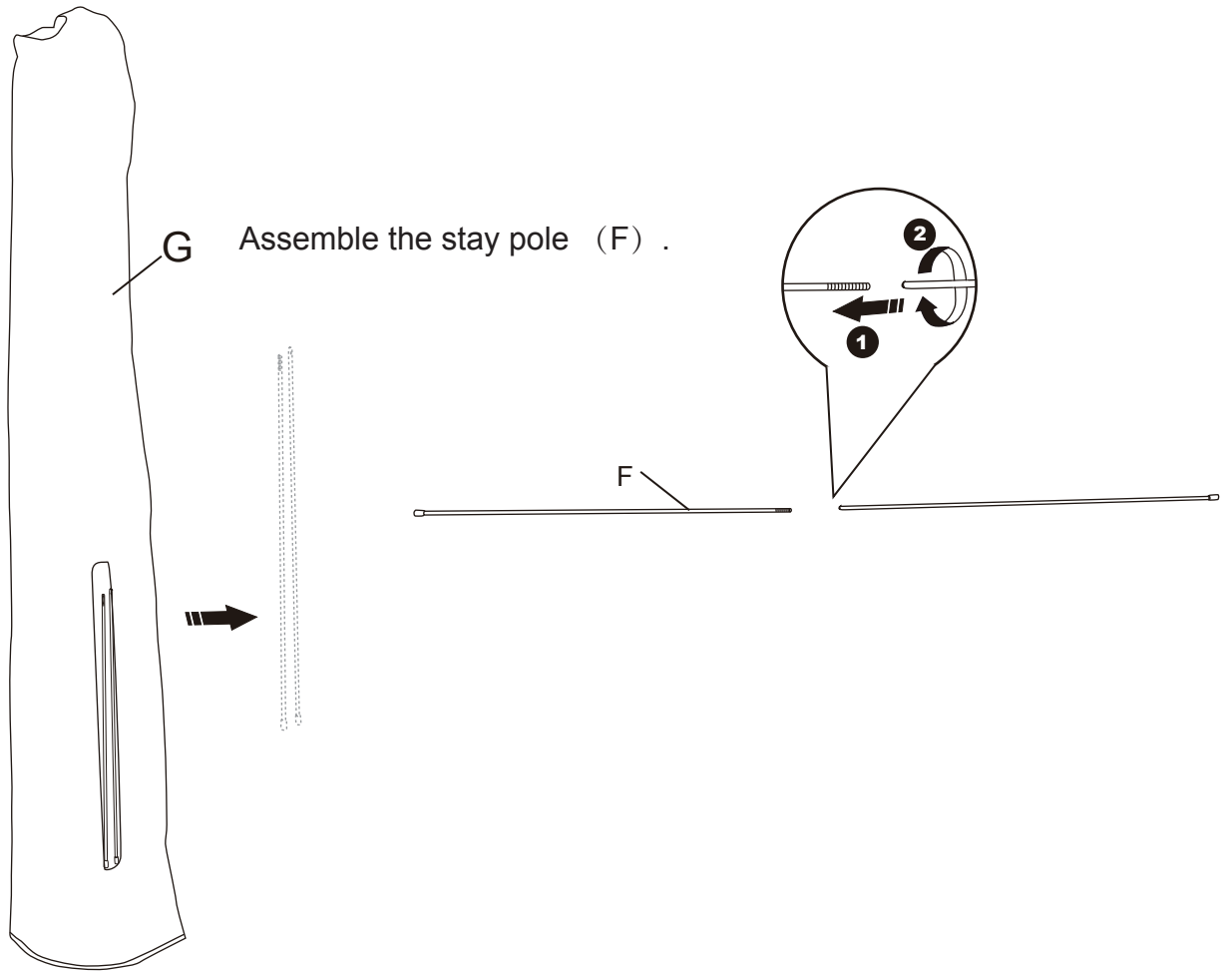
- 15** Close the total frame & canopy by moving the crank downwards to the lowest position hole.





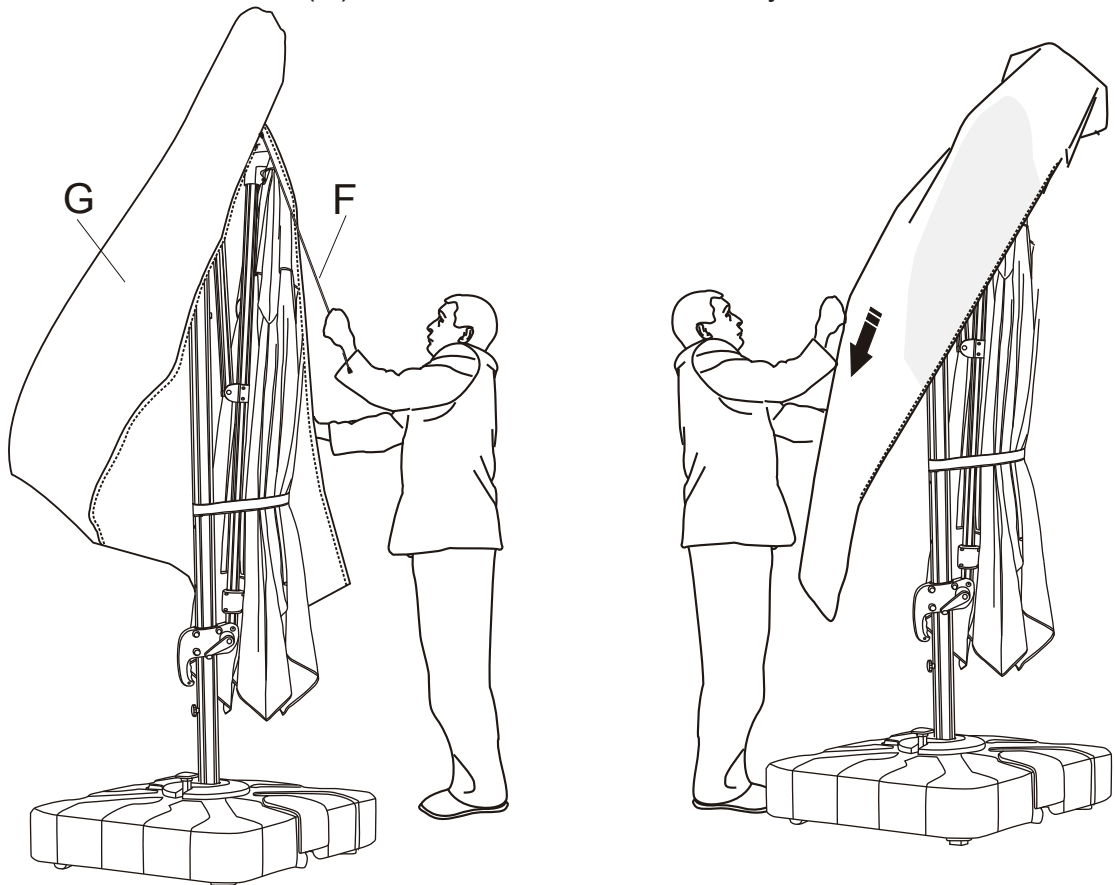
Operating Instruction

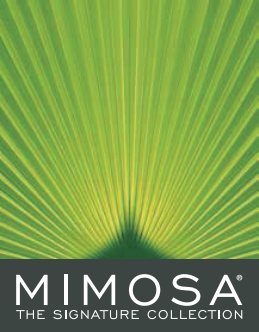
16



17

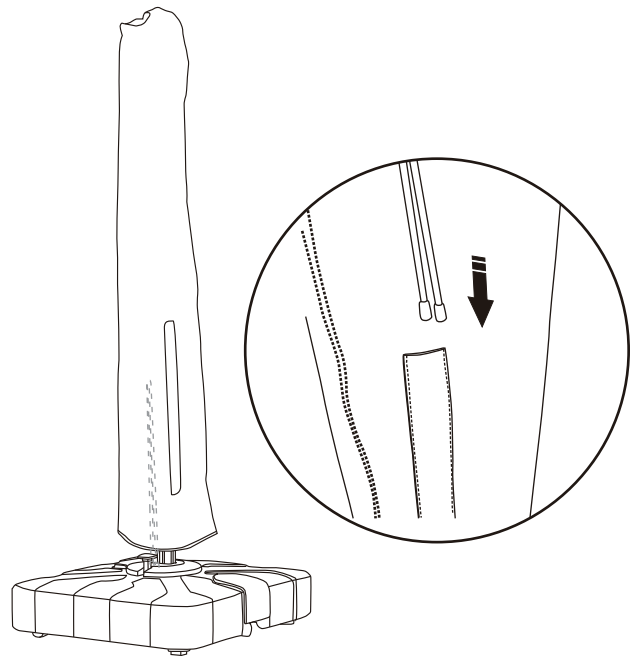
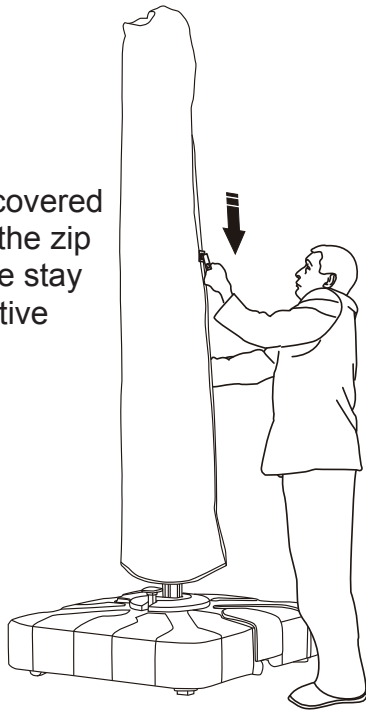
Lift the umbrella cover (G) to the top of the umbrella using the stay pole (F). Pull the umbrella cover (G) down over the umbrella with your hands.



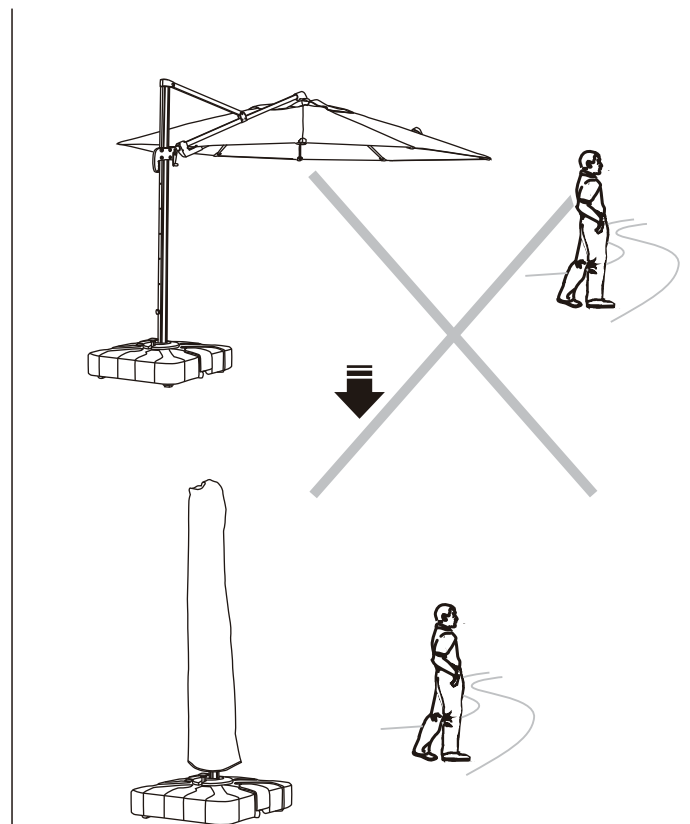
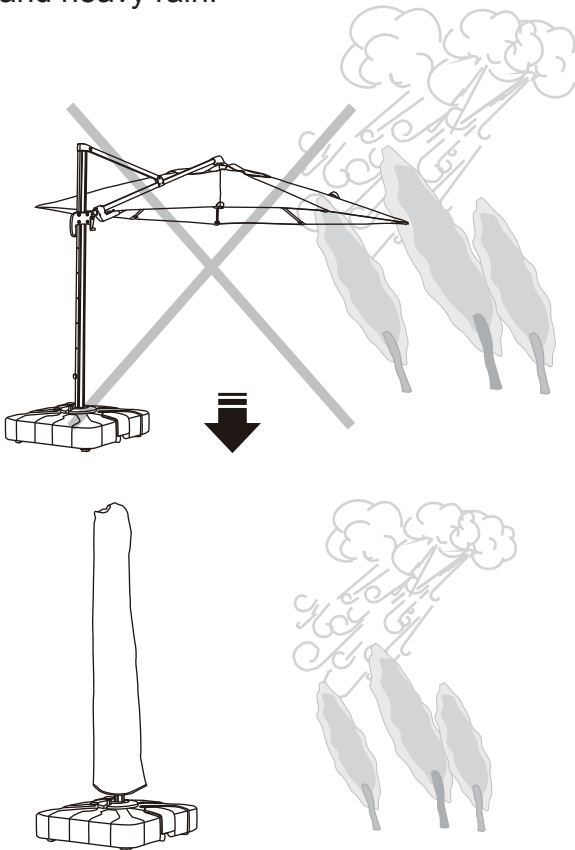


Operating Instruction

- 18** Once it has fully covered the umbrella, pull the zip closed and put the stay pole in the protective bag.



- 19** ATTENTION: DO NOT use in extreme weather conditions including high wind and heavy rain.



CARE AND CLEANING:

1. To clean, wipe with damp cloth. Do not use bleach, acid solvents or abrasive cleaners.
2. During winter or periods of heavy rain and wind, it is strongly recommended that the umbrella be stored in its cover, in a dry protected area.