

Euro Frameless Curved Shower Enclosure

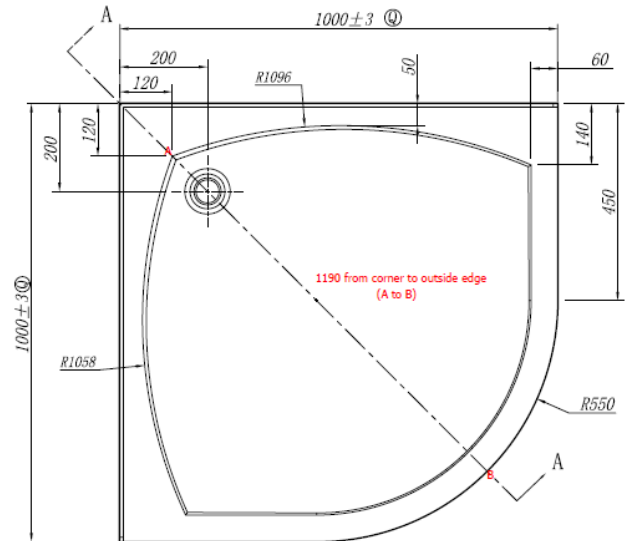


Available to suit the following base size

Installation Instructions

Screen height 2000mm
Base entry height 55mm
Base overall height including lip 70mm
I/N: 4890314

- Comprises of Shower Screen & Base
- Frameless Door
- Left or Right Hand entry
- Chrome Fittings
- 8mm Clear Safety Glass



IMPORTANT TO READ BEFORE INSTALLING

Please inspect this product for damage, manufacturing fault or missing parts prior to commencing the process of installation, no warranty will be applied after installation has begun.

Prior to installation, please ensure there are no pipes or cables hidden in the wall where you intend to drill.

All of our Shower Screens must be handled with extreme care as glass is fragile and can shatter if handled incorrectly. Glass is not covered by warranty. You will notice through-out the installation process that the corners of any glass that is frameless or semi frameless have a protective cover. Please try to leave these protective covers on any panels that have them until after you have moved panels into position.

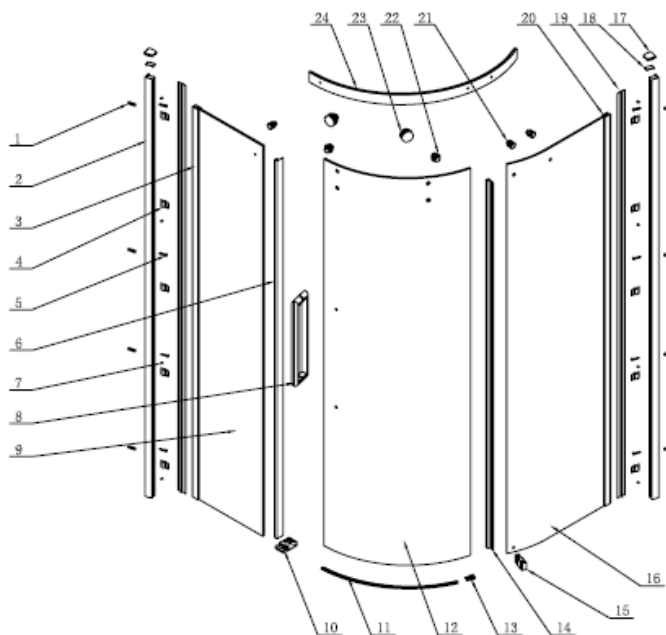
Throughout the entire installation process please ensure that the washers and grommets supplied are inserted correctly so that metal and glass do not make contact. Failure to do so will void warranty and may cause glass to break.

Flat packed DIY shower screens are heavy and may require two people to install.

Please refer to the supplied installation instructions to guide you through the installation process. Before you commence installation, refer to the Components List within the instructions along with the list of tools required to execute the installation.

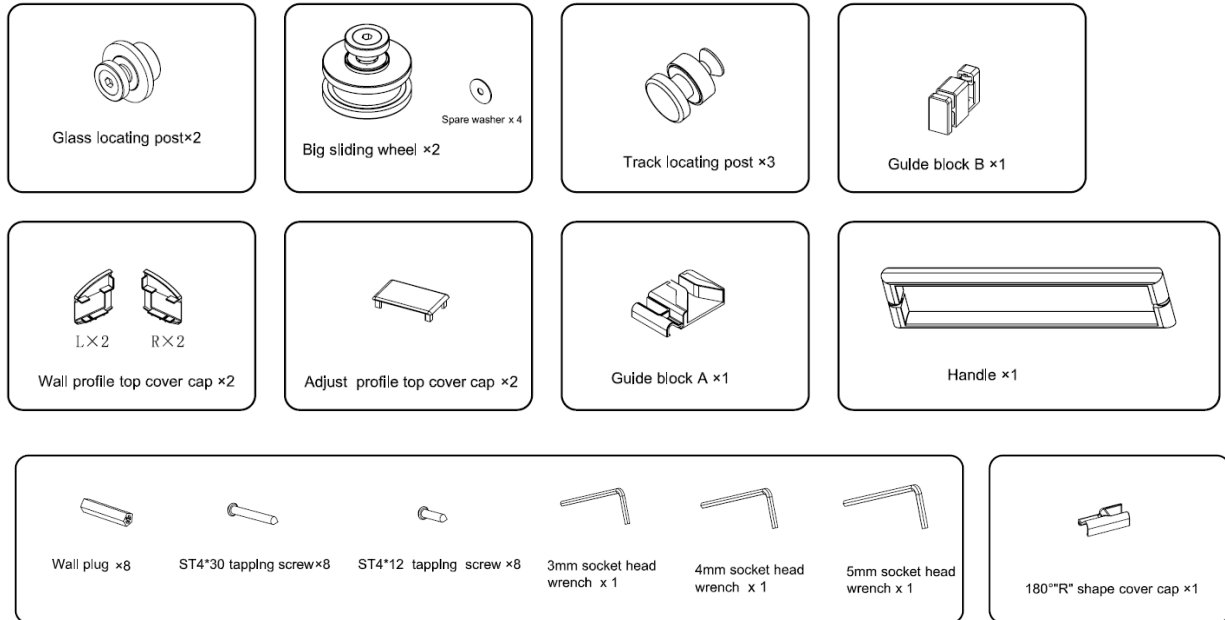
We highly recommend that you cover the shower base area with a protective cloth through-out the installation process to avoid damage to your shower base.

Components List

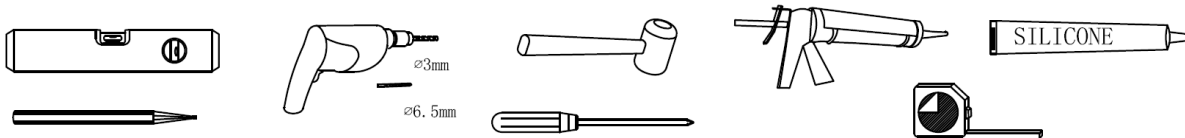


No.	Description	QTY	No.	Description	QTY
1	Wall Plug	8	15	Guide Block B	1
2	Wall Profile	2	16	Curved Fixed Front Panel	1
3	Adjust Profile	1 (Installed onto fixed panel)	17	Wall Profile Top Cover Cap	1 x LH & 1 x RH
4	Connection Profile Clamp	10 (Installed onto wall profile)	18	Connection Profile Top Cover Cap	2
5	ST4*30 Screw	8	19	Connection Profile	2
6	Fixed Door Water Seal	1	20	Adjust Profile	1 (Installed onto fixed panel)
7	ST4*12 Screw	8	21	Track Locating Post	3
8	Handle	1	22	Glass Locating Post	2
9	Flat Side Panel	1	23	Big Sliding Wheel	2
10	Guide Block A	1	24	Track	1
11	Bottom Water Strip	1			
12	Moving Door	1			
13	180 Degrees "R" Shape Cover Cap	1			
14	Moving Door Water Seal	1			

Components List and Tools Required



Tools Required:



Step 1 Level and Measure

- Place a cloth down to protect your base or shower area.
- Ensure that installation occurs with a level base or shower area.
- Measure and Mark your Base or Shower area by referring to your minimum and Maximum Measurements, ensuring that your selected screen will fit within the desired area. The Minimum and maximum measurement for this shower is as follows,

Min and max Measurements

Minimum measurement 950mm

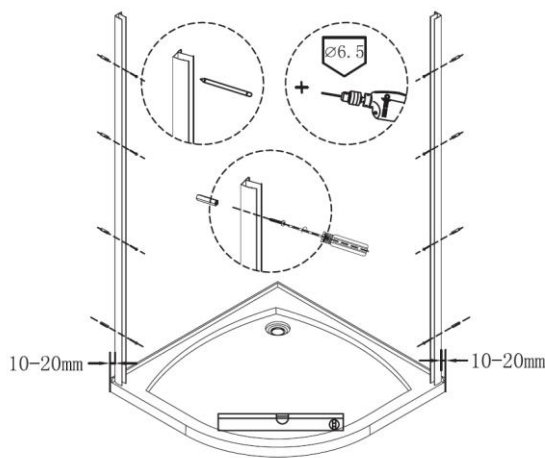
Maximum measurement 970mm

NOTE: When using minimum measurement, make sure you allow for walls that are out of plumb. If your walls are leaning forward by 10mm, you must reduce your screen size area by this amount.

Step 2 Mark, Drill and Fix wall Profile

- With a level, position (Part 2) Wall profile against wall at desired measurement, within min and max measured area.
- With a pencil, mark the pre drilled holes inside of (Part2) Wall profile. Remove wall profile and drill 6mm hole. (Use a masonry drill bit if drilling into tiles).
- Insert (Part 1) Wall plugs provided
- With (part 5) Screws ST4*30 provided, fix (part 2) Wall Profile to wall ensuring wall profile is level and fixed tightly.

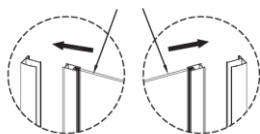
Note: Wall profile must be Level and set within minimum and maximum measurements.



Step 3 Positioning Panels

- Insert (part 9) Flat side panel into the deepest part of (part 2) wall profile
- Insert (part 16) Curved fixed front panel into the deepest part of (part2) wall profile.

Parts 16 & 9



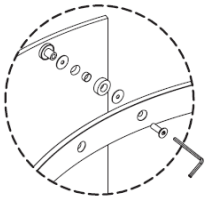
Step 4 Attaching Track

- Attach (Part 24) track to (part 16) side fixed panel by inserting (part 21) track locating post.
- Separate Track locating post and Insert screw into the middle of track on counter sunk hole side,
- Place metal washer on to screw and place the plastic washer on to screw,
- Mount the (part 24) track to leading glass hole on front fixed panel.
- Place plastic washer on other side of glass panel on to screw.
- Fix the track locating post nut to screw on face of screen. Do not over tighten.

Note: Ensure that the plastic washers are inserted correctly avoiding metal and glass making contact. Failure to do so will void your warranty and may cause glass to break.

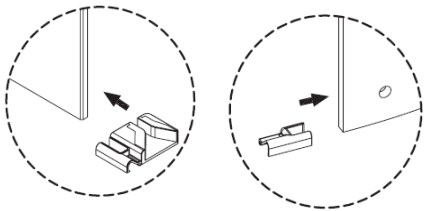
- g) Repeat process by fixing track to second hole using the (part 21) Track locating post and repeating steps 4b-4f.
- h) Repeat process by fixing track to third hole using the (part 21) Track locating post and repeating steps 4b-4f. Ensure track is level.

Note: Ensure that the plastic washers are inserted correctly avoiding metal and glass making contact. Failure to do so will void your warranty and may cause glass to break.



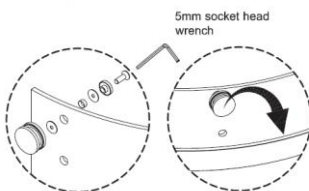
Step 5 Attaching guide blocks

- a) Place Part 10 Guide block A into position at the bottom of part 9 flat side panel
- b) Place part 13 180* R shape cover cap into position at the bottom of Part 16 curved fixed front panel.



Step 6 Attaching big sliding Wheel to Door

- a) Figure out the face of door and direction the door will close prior to mounting wheels
- b) Remove screw from (part 23) Big sliding wheel using Allan key supplied
- c) Attach (part 23) Big sliding wheel to the face of screen at the top holes in (part 12) Moving door. **Note: Ensure that the plastic washers are inserted correctly avoiding metal and glass making contact. Failure to do so will void your warranty and may cause glass to break.**



Step 7 Positioning Door and attaching water seals and handle

- a) Hang (part 12) Moving door on (part 24) Track.

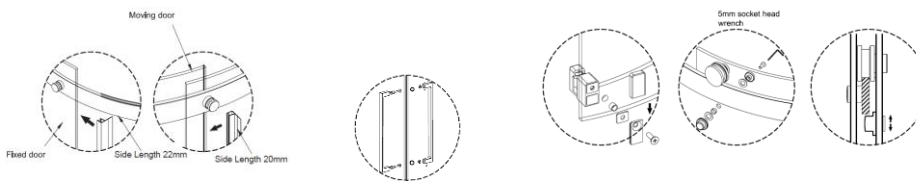
Note: To adjust the height of door. Turn the counter sunk offset height adjuster, which is located on the inside of door on big sliding wheel, left or right raising and lowering the height of door. You should adjust both wheels to ensure movement is not obstructed.

- b) Using hand pressure attach (part 6) Fixed door water seal to part 9 flat side panel and Cut to required height, 5mm under the top track.
- c) Using hand pressure attach (part 14) moving door water seal to part 16 curved fixed front panel and Cut to required height, 5mm under the top track .
- d) Attach Part 8 Handle to glass door and fix tightly.

Note: Ensure that the plastic washers are inserted correctly avoiding metal and glass making contact. Failure to do so will void your warranty and may cause glass to break.

- e) Disassemble and Attach Part 15 guide block B through the hole at the bottom of (part 16) Curved fixed front panel and fix tightly. Replace the cover cap on to part 15 guide block B
- f) Attach part 22 glass locating post to the glass mounting holes on part 12 moving door, under the rollers. Ensure that the posts do not contact the track. Otherwise the rollers will not run smoothly.
- g) Insert the part 11 bottom metal water strip into the Part 15 guide block A and Part 13 180 degree R shape cover cap using silicone to seal into place.

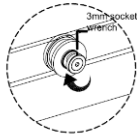
Please note: Ensure that the plastic washers are inserted correctly avoiding metal and glass making contact. Failure to do so will void your warranty and may cause glass to break.



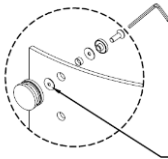
Step 8 Adjustments

- a) Adjust and move panels in or out to suit your shower base or shower area, ensuring all sides and track are level and straight.
- b) Sliding Carefully, close the moving door towards the flat fixed door panel and check the moving door can enter (part 10) guide block A correctly.

Note: To adjust the height of door. Turn the counter sunk offset height adjuster, which is located on the inside of door on big sliding wheel, left or right raising and lowering the height of door. You should adjust both wheels to ensure movement is not obstructed.

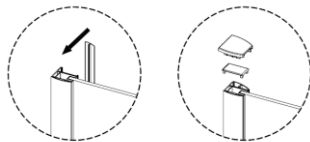


If the moving door rubs against part 10 Guide block A install the transparent washer between roller and moving glass door.



Step 9 Fixing Off

- Ensure screen is operating correctly. Adjust if necessary.
- Fix both side panels to wall profiles by drilling 4 equally spaced 3.3mm holes on the inside of screen and secure with screws provided (part 7) St4*12 screw.
- Attach (part 19) connection profile to the inside of (part 2) wall profiles with hand pressure.
- Attach (part 17 wall profile top cover cap and part 18 connection profile top cover cap) to the top of both (part 2) wall profiles



Step 10 Sealing

- Using recommended bathroom purpose silicone. Apply a fine bead of silicone vertically and horizontally on the outside perimeter of screen only, sealing your shower screen. This will prevent water from leaking out of screen and will allow water to effectively drain back towards outlet. Do not use shower for 24 hours allowing for silicone to set.

Do not use silicone internal of screen. Doing so will void warranty.

Rick McLean's Designer Shower Screens (Aust) Pty Ltd

Trading as Rick McLean's Designer Bathware

WARRANTY

- Measured & Installed Products

Rick McLean's Designer Bathware will provide a 2 year Service Warranty on installation and componentry of measured & fitted Shower Screens, Mirrors & Sliding Robe Doors. Cracked, smashed or broken Glass, Splashbacks and Mirrors are NOT included. Warranty does not cover glass. Replacement glass is covered by the customer's house & contents insurance policy (if applicable) or at the customer's own expense.

- Supply Only Products

Rick McLean's Designer Bathware will provide a 2 year Warranty on our supply only products. Warranty does not cover glass. Replacement glass is covered by the customer's house & contents insurance policy (if applicable) or at the customer's own expense.

Rick McLean's Designer Bathware will supply a replacement product where faulty manufacture or faulty materials exists, only in accordance with correct installation procedure.

This warranty DOES NOT apply to other defects which may have arisen as a result of; accidental damage, misuse, abuse, maltreatment, wear & tear, incomplete return, abnormal stress or neglect of any kind.

This warranty DOES NOT include REMOVAL AND/OR INSTALLATION COSTS and any other associated expenses incurred, including those costs incurred from third party.

It is the responsibility of the recipient to inspect the product/s once received to ensure no transit damage has occurred, and/or missing parts or manufacturing faults are applicable.

Plumbing and Bathware products must be installed by a licensed plumber. Failure to do so will immediately void warranty.

Failure due to other causes, including the use of other than recommended installation procedures, may also void warranty.

Please ensure that plumbing and bathware products are installed in accordance with local by-laws.

Please ensure glass and fragile products are handled with care. Avoid knocks & shock to all sides of packaging when transporting.

Freestanding Baths are not designed to be installed hard up against bathroom walls. The sides of the baths taper, even if they appear to be straight edged. Installing freestanding baths up against tiled walls or recessing baths into walls and tiling down onto them is at the client's own discretion. This is not in accordance with correct installation procedure and will void warranty.

Sizes, Prices and Stock Availability of products are subject to change without notice.

Warranty does not cover glass.

Broken Glass or missing parts will not be replaced under warranty if the Shower Screen is in the process of being installed.

The safety glass featured in all Shower Screens cannot be cut, trimmed or altered in any way.

Manufactured sizes of Shower Screens, Shower Bases & Baths are nominal. Actual sizes may vary during manufacturing.

- How to make a claim for Credit or Exchange of Goods for Supply Only Products

Rick McLean's Designer Bathware will credit or exchange goods within 14 working days from time of purchase.

The customer will be deemed to have accepted the goods as being in accordance with its order unless it notifies Rick McLean's Designer Bathware of its claim within 14 days of receipt of the goods.

All returned goods will incur a 25% restocking fee on the total cost of goods.

The following conditions must be met however in order to accept returned goods:

- We have received prior notification by advising our office on 03 9331 6660 or in person
- Original tax invoice must be supplied
- Goods must still be in original condition
- Goods must still be in original packaging
- Customer is responsible for arranging return of goods and all transportation costs involved
- In the circumstance that a credit is issued, we will hold a credit for 30 days

Any goods authorised for return shall be returned at the customer's expense