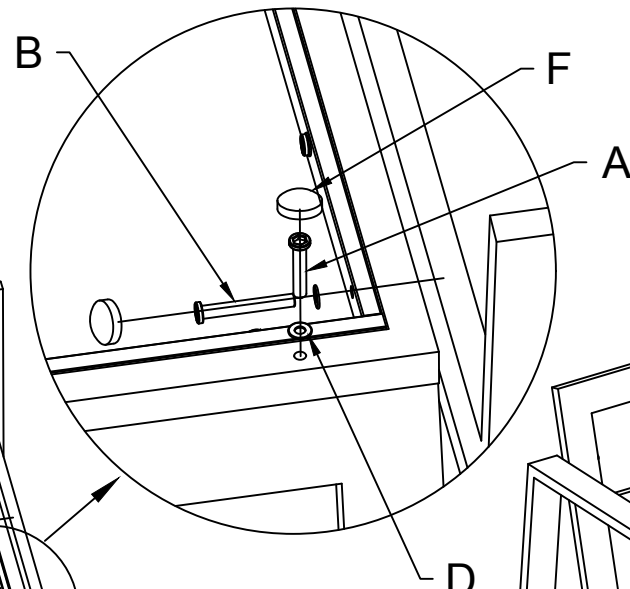


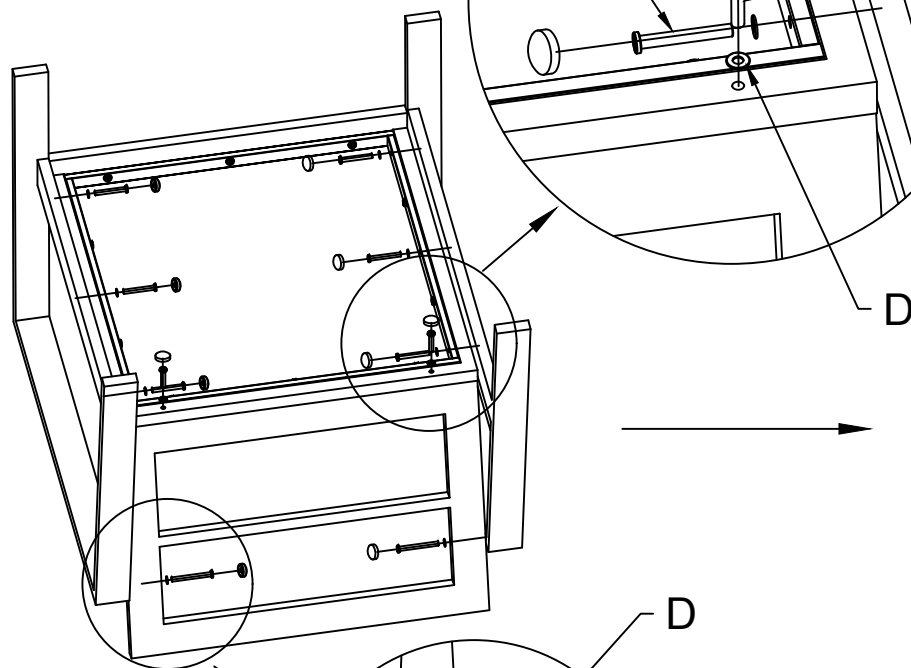
ASSEMBLY INSTRUCTION

CORAL BAY CUSHION CHAIR

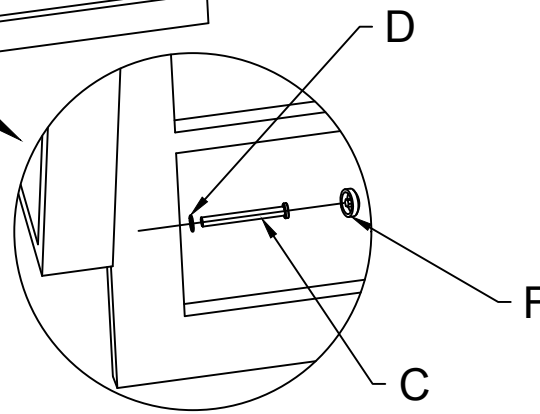
1: USE THE SPANNER(E) TO FIX THE SEAT FRAME TO LEG USING BOLTS(B) AND WASHERS(D) INTO ARMREST SIDE HOLE



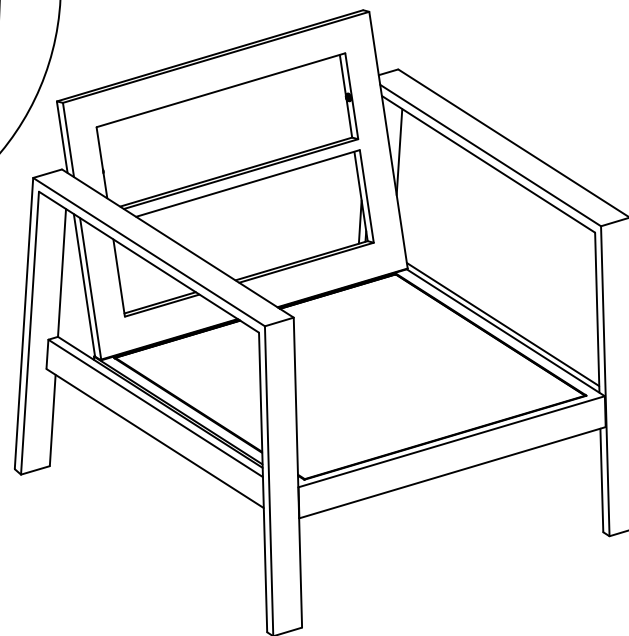
3: USE THE SPANNER(E) TO FIX THE BACK FRAME TO SEAT FRAME USING BOLTS(A) AND WASHERS(D)

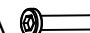
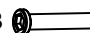






2: USE THE SPANNER(E) TO FIX THE BACK FRAME TO LEG USING BOLTS(C) AND WASHERS(D) INTO ARMREST SIDE HOLE



4: PUT THE BOLT CAP(F) INTO EACH BOLTS.

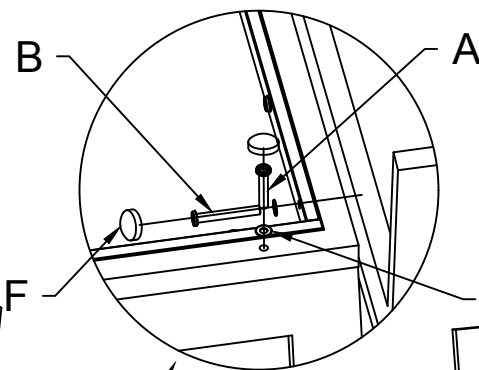


A		40mm BOLT X 2
B		55mm BOLT X 6
C		70mm BOLT X 2
D		WASHER X 10
E		SPANNER X 1
F		BOLT CAP X 10

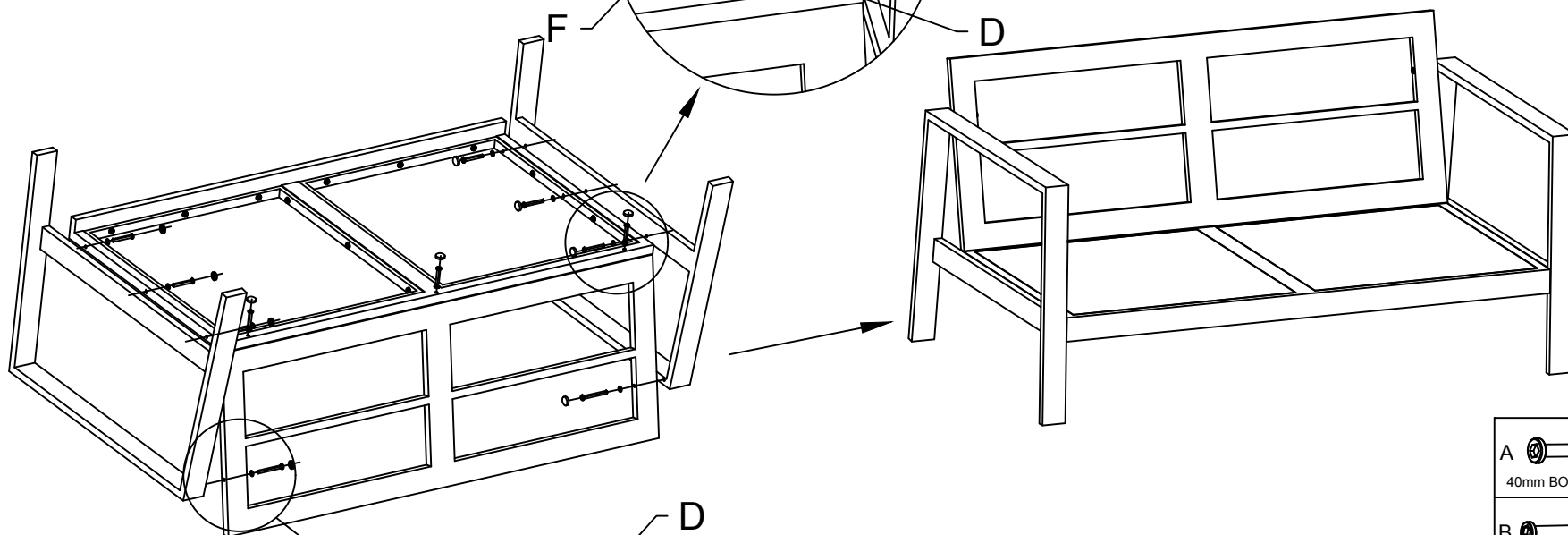
ASSEMBLY INSTRUCTION

CORAL BAY 2 SEATER SOFA

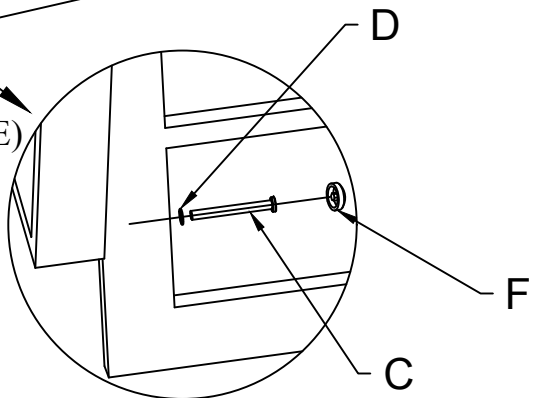
1: USE THE SPANNER(E) TO FIX THE SEAT FRAME TO LEG USING BOLTS(B) AND WASHERS(D) INTO ARMREST SIDE HOLE



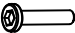
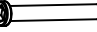
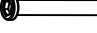



3: USE THE SPANNER(E) TO FIX THE BACK FRAME TO SEAT FRAME USING BOLTS(A) AND WASHERS(D)



2: USE THE SPANNER(E) TO FIX THE BACK FRAME TO LEG USING BOLTS(C) AND WASHERS(D) INTO ARMREST SIDE HOLE



4: PUT THE BOLT CAP(F) INTO EACH BOLTS.

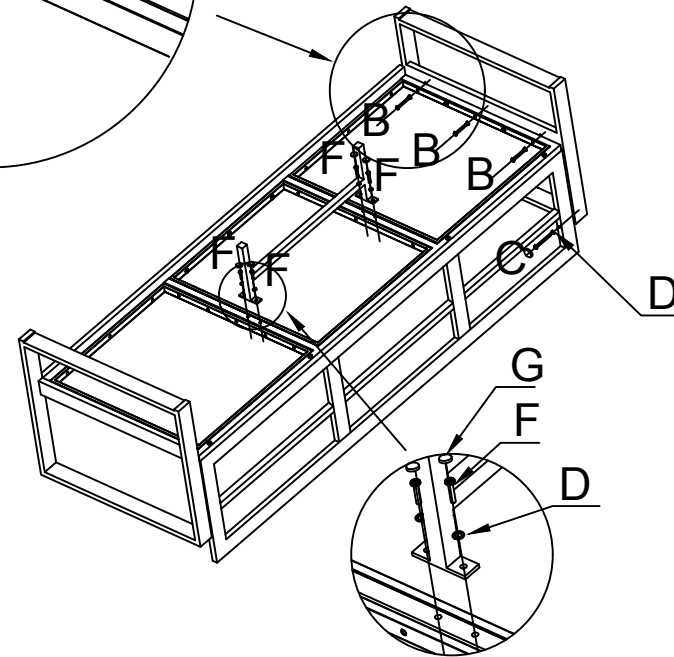
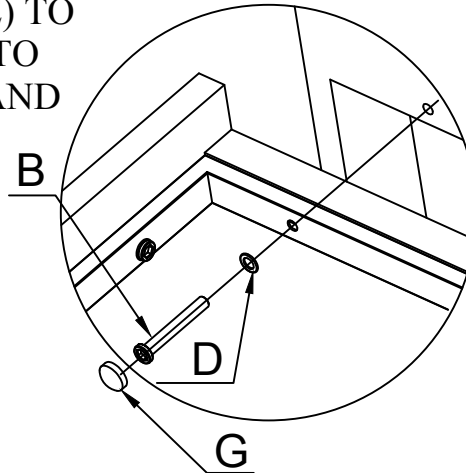
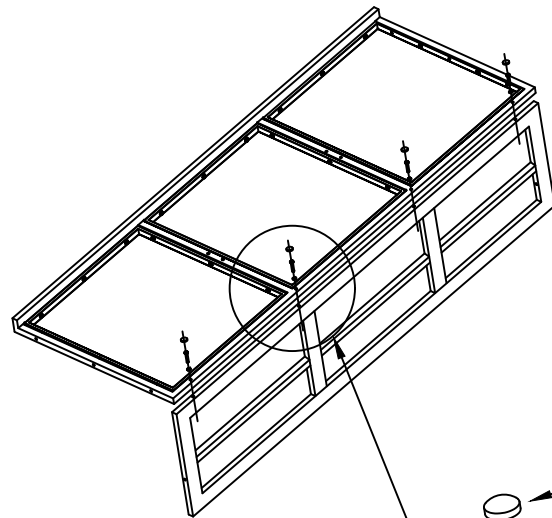
A		40mm BOLT X 3
B		55mm BOLT X 6
C		70mm BOLT X 2
D		WASHER X 11
E		SPANNER X 1
F		BOLT CAP X 11

ASSEMBLY INSTRUCTION

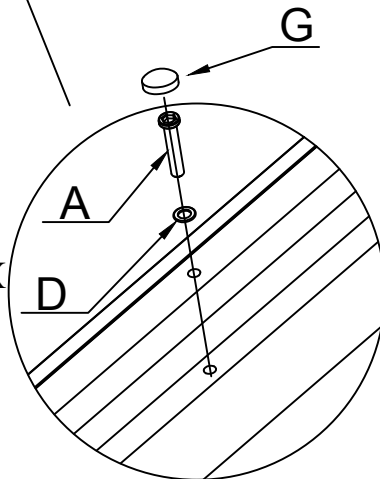
CORAL BAY 3 SEATER SOFA

2: USE THE SPANNER(E) TO FIX THE SEAT FRAME TO LEG USING BOLTS(B) AND WASHERS(D) INTO ARMREST SIDE HOLE

3: USE THE SPANNER(E) TO FIX THE BACK FRAME TO LEG USING BOLTS(C) AND WASHERS(D) INTO ARMREST SIDE HOLE



1: USE THE SPANNER(E) TO FIX THE BACK FRAME TO SEAT FRAME USING BOLTS(A) AND WASHERS(D)



4: USE THE SPANNER(E) TO FIX THE BOTTOM LEG TO SEAT FRAME USING BOLTS(F) AND WASHERS(D)

5: PUT THE BOLT CAP(G) INTO EACH BOLTS.

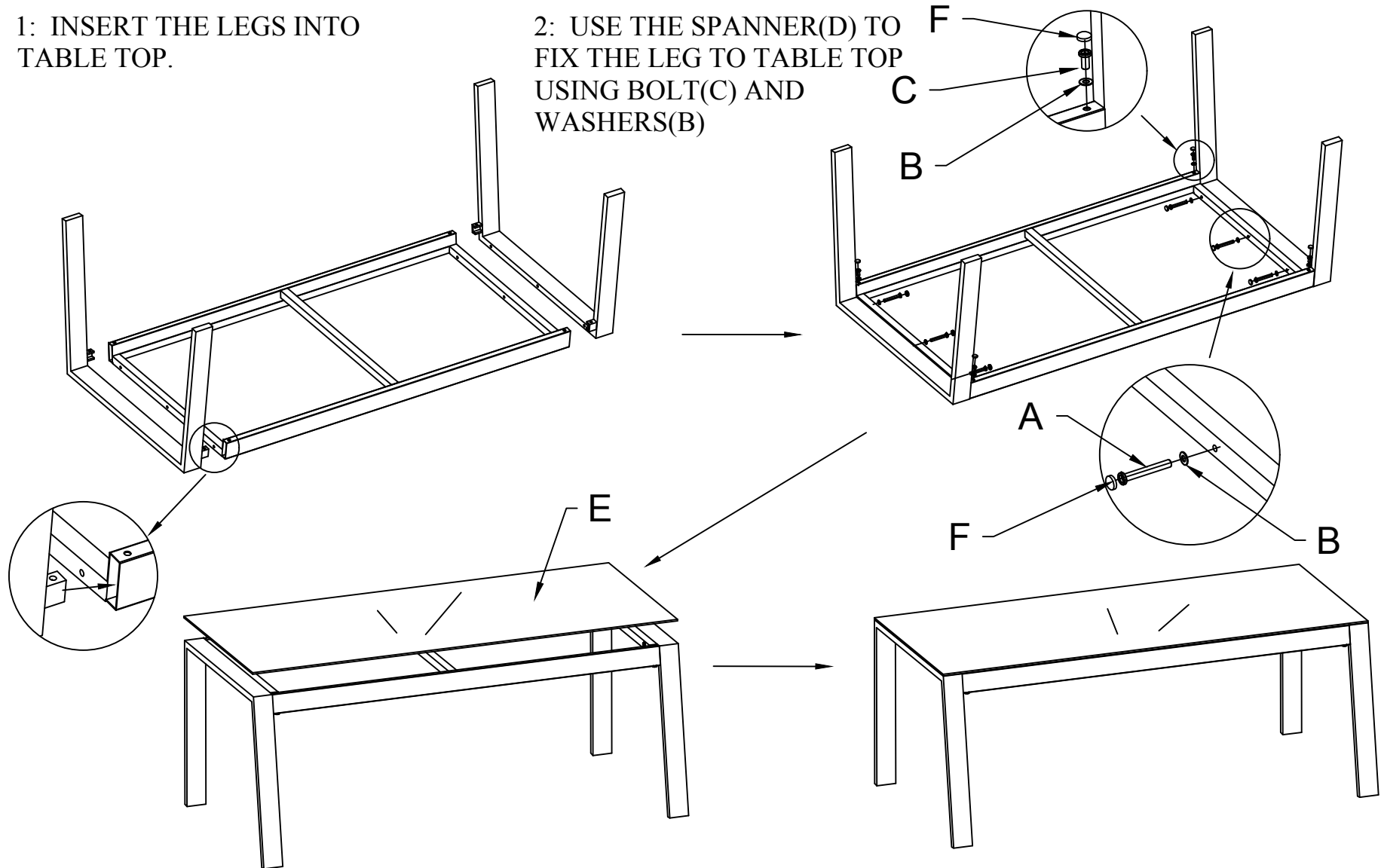
A	
40mm BOLT X 4	
B	
55mm BOLT X 6	
C	
70mm BOLT X 2	
D	
WASHER X 16	
E	
SPANNER X 1	
F	
20mm BOLT X 4	
G	
BOLT CAP X 16	

ASSEMBLY INSTRUCTION

CORAL BAY COFFEE TABLE




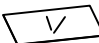

1: INSERT THE LEGS INTO TABLE TOP.

2: USE THE SPANNER(D) TO FIX THE LEG TO TABLE TOP USING BOLT(C) AND WASHERS(B)



3: TURN THE TABLE OVER TO RIGHT POSITION. CHECK ALIGNMENT OF LEGS AND ADJUST IF NECESSARY. PUT THE GLASS ON TABLE TOP

4: PUT THE BOLT CAP(F) INTO EACH BOLTS.

A		B		C		D		E		F	
	40MM BOLT X 6		WASHER X 10		15MM BOLT X 4		SPANNER X 1		GLASS TOP X 1		BOLT CAP X 10