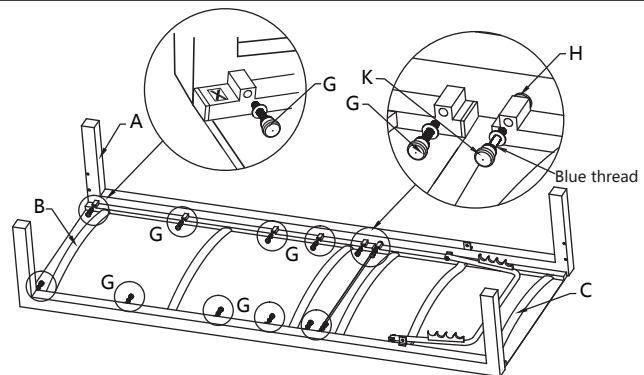
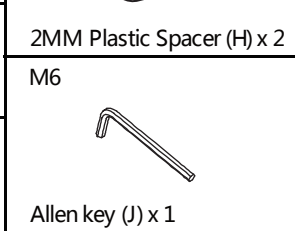
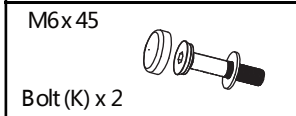
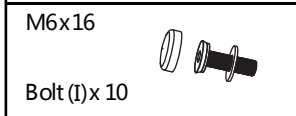
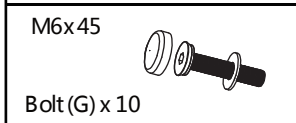
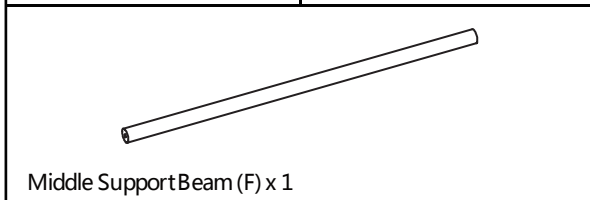
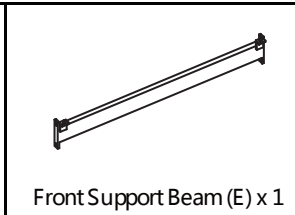
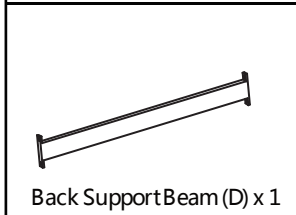
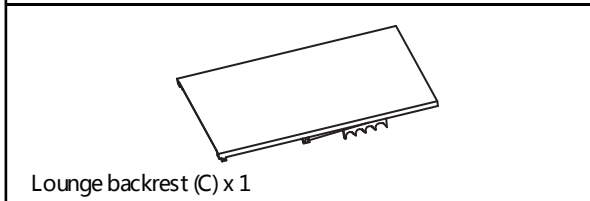
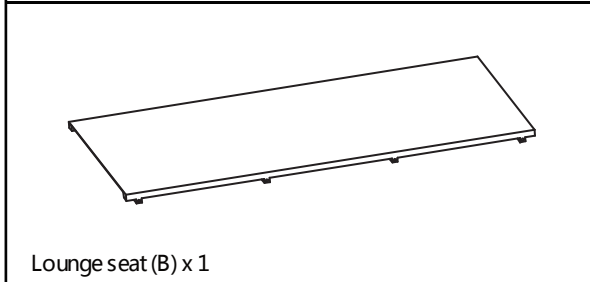
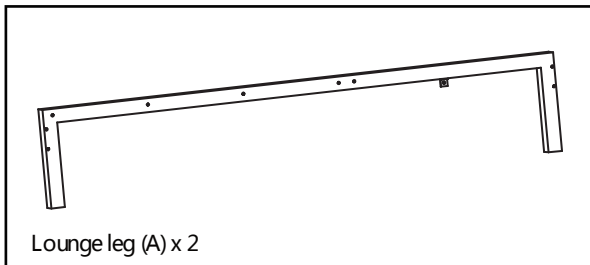


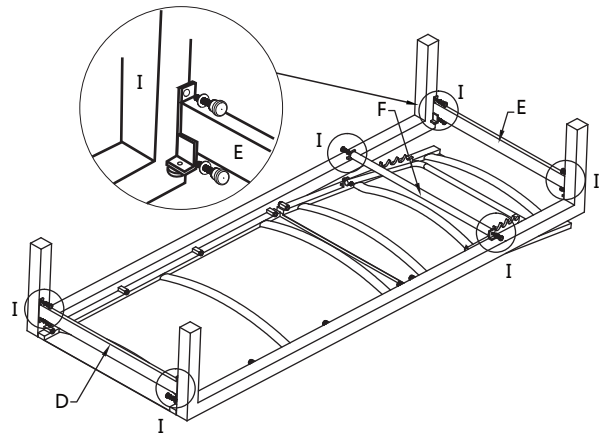
# ASSEMBLY INSTRUCTIONS

## CORAL BAY SUNLOUNGE

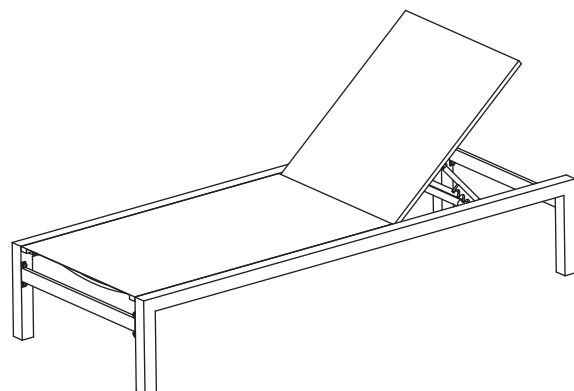
Item No. 3192504



Step 1: Fix lounge seat (B) with leg (A) using bolt (G) and Allen key (J). Please pay attention the letter X on the lounge seat (B) should at the end of the sun lounge. Place the plastic spacer(H) between the lounge back rest (C) and leg (A), secure together with bolt - (blue thread) (K) and Allen key (J). Please do not tightly secure the bolts until the end when all bolts are in position.



Step2: Attach the front support beam (E), back support beam (D) and middle support beam (F) to the lounge legs (A) separately, using bolt (I) and Allen Key (J). When all components are correctly in position, tighten securely with Allen key (J).



Your sunlounge is ready for use now.