

# RYOBI®

ORIGINAL INSTRUCTIONS

# Soldering Station

R18SO



## **Important!**

This appliance is not intended to be used or cleaned by persons with reduced physical, sensory or mental capabilities, or lack of experience or knowledge, unless they have been given instructions concerning the safe use of the appliance by a person legally responsible for their safety. They should be supervised whilst using the appliance.

Children shall not use, clean or play with this appliance, which when not in use should be secured out of their reach.

It is essential that you read the instructions in this manual before assembling, operating, and maintaining the product. Subject to technical modifications.

Safety, performance, and dependability have been given top priority in the design of your soldering station.

### INTENDED USE

The soldering station is only intended for soldering circuits, electrical connections, jewellery, stained glass, and other crafts.

Do not use the product for any other purposes.

### SOLDERING STATION SAFETY WARNINGS

- Save these instructions. Refer to them frequently and use them to instruct others who may use this tool. If you loan someone this tool, loan them these instructions also.
- **Keep work area clean and well lit.** Cluttered or dark areas invite accidents.
- **Do not operate the product in explosive atmospheres, such as in the presence of flammable liquids, gases, or dust.** Battery products create sparks which may ignite the dust or fumes.
- **Keep children and bystanders away while operating the product.** Distractions can cause you to lose control.
- The product is intended for household use only.
- The soldering iron must be placed in the holder when not in use.
- Do not lay a hot soldering iron on its side.
- Do not touch the heated tip of the soldering iron.
- Always assume that the soldering iron tip is hot.
- Use the soldering iron in a well-ventilated area to avoid breathing fumes.
- Do not point the tip of the soldering iron at another person.
- Do not place your hands or fingers near the tip of the soldering iron.
- Never leave the product unattended while it is switched on.
- Always remove the battery pack and allow the soldering tip to cool for a minimum of 30 minutes before removing the tip. Touching a hot soldering tip can result in serious personal injury.
- Always remove the battery pack and allow the product to cool before leaving, transporting or storing. Storing a soldering iron with a hot tip can cause serious burns and/or ignite combustible objects.
- Remove the battery pack from the product and ensure the unit has cooled down before making any adjustments changing accessories, or storing the product. Such preventive safety measures reduce the risk of starting the product accidentally..
- Do not allow children to use the soldering station. It is not a toy.
- Do not solder live circuits.
- Do not disassemble the product.
- The soldering iron tip is sharp. Do not touch the tip or allow it to come in contact with anything other than soldering wire and the workpiece material.
- Do not expose battery products to rain or wet conditions. Water entering a battery product will increase the risk

of electric shock.

- Use the product only for its intended use as described in this manual.
- If the product is not working properly, has been dropped, damaged, left outdoors or dropped into water, return to your nearest service centre.
- Do not handle the product or charger with wet hands.

### BATTERY AND CHARGER SAFETY WARNINGS

- Connect and disconnect the battery pack properly.
  - To install battery pack:
    - Place the battery pack on the product.
    - Make sure the latches on each side of the battery pack snap into place and the battery pack is secured on the product before beginning operation.
  - To remove battery pack:
    - Depress the latches on the side of the battery pack.
    - Remove the battery pack from the product.
- Remove battery when the product is not in use and before servicing.
- Do not place batteries near fire or heat. They may explode.
- Rechargeable batteries are to be removed from the product before being charged.
- Different types of batteries or new and used batteries are not to be mixed.
- Batteries are to be inserted with the correct polarity.
- Exhausted batteries are to be removed from the product and safely disposed of.
- If the product is to be stored unused for a long period, the batteries should be removed.
- The supply terminals are not to be short-circuited.
- Under extreme usage or temperature conditions, battery leakage may occur. If liquid comes in contact with skin, wash at least 10 minutes then seek immediate medical attention.
- Batteries vent hydrogen gas and can explode in the presence of a source of ignition, such as a pilot light. To reduce the risk of serious personal injury, never use any cordless product in the presence of an open flame. An exploded battery can propel debris and chemicals. If exposed, flush with water immediately.
- Electric shock could occur if the battery is charged outdoors or on wet surfaces.
- Do not expose charger to wet or damp conditions.
- Use of an attachment not recommended or sold by the battery charger manufacturer may result in a risk of fire, electric shock, or injuries to person.
- To reduce risk of damage to charger body and cord, pull by charger plug rather than cord when disconnecting charger.
- Make sure cord is located so that it will not be stepped on, tripped over, or otherwise subjected to damage and stress.
- An extension cord should not be used unless absolutely

necessary. Use of improper extension cord could result in a risk of fire and electric shock. If extension cord must be used, make sure:

- a) That pins on plug of extension cord are the same number, size and shape as those of plug on charger.
  - b) That extension cord is properly wired and in good electrical condition.
- Do not operate charger with a damaged cord or plug. If damaged, have it replaced immediately by a qualified serviceman.
  - Do not operate charger if it has received a sharp blow, been dropped, or otherwise damaged in any way; take it to a qualified serviceman.
  - Do not disassemble charger; take it to a qualified serviceman when service or repair is required. Incorrect reassembly may result in a risk of electric shock or fire.
  - To reduce risk of electric shock, unplug the charger from outlet before attempting any maintenance or cleaning. Turning off controls will not reduce this risk.
  - Disconnect charger from power supply when not in use.
  - Risk of electric shock. Do not touch uninsulated portion of output connector or uninsulated battery terminal.
  - The battery pack should be charged in a location where the temperature is more than 10°C but less than 38°C.

#### ADDITIONAL SAFETY WARNINGS

##### WARNING

The product is not intended for use by persons (including children) with reduced physical, sensory or mental capabilities, or lack of experience and knowledge, unless they have been given supervision or instruction concerning use of the product by a person responsible for their safety.

Children should be supervised to ensure that they do not play with the product.

#### ADDITIONAL BATTERY SAFETY WARNINGS

##### WARNING

To reduce the risk of fire, personal injury, and product damage due to a short circuit, never immerse your tool, battery pack or charger in fluid or allow a fluid to flow inside them. Corrosive or conductive fluids, such as seawater, certain industrial chemicals, and bleach or bleach-containing products, etc., can cause a short circuit.

#### TRANSPORTING LITHIUM BATTERIES

Transport the battery in accordance with local and national provisions and regulations.

Follow all special requirements on packaging and labelling when transporting batteries by a third party. Ensure that no batteries can come in contact with other batteries




or conductive materials while in transport by protecting exposed connectors with insulating, non-conductive caps or tape. Do not transport batteries that are cracked or leaking. Check with the forwarding company for further advice.

#### RESIDUAL RISKS

Even when the product is used as prescribed, it is still impossible to completely eliminate certain residual risk factors. The operator should pay particular and additional attention to these points in order to reduce the risk of serious personal injury.

- Injury caused by hot surface
  - Never touch the solder tip when it is hot.
- Injury caused by fume
  - Fume will be created by the soldering operation which can cause respiratory and eye injury. Wear appropriate mask suitable for protecting against fume from the materials being worked on. Work on area with good ventilation.

#### LED INDICATOR

	Solid red	Tip heating up
 <b>200°C - 480°C</b>	Solid green	Tip reached set temperature
	Pulse green	Temperature decreasing to desired heat setting on temperature dial

#### MAINTENANCE

##### WARNING

The product should never be connected to a power supply when assembling parts, making adjustments, cleaning, performing maintenance, or when the product is not in use. Disconnecting the product will prevent accidental starting that could cause serious injury. Let iron cool down completely before performing maintenance.

- When servicing, use only identical replacement parts. Use of any other parts may create a hazard or cause product damage.
- Avoid using solvents when cleaning plastic parts. Most plastics are susceptible to various types of commercial solvents and may be damaged by their use. Use clean cloths to remove dirt and carbon dust.
- Do not, at any time, let brake fluids, gasoline, petroleum-based products, penetrating oils, etc., come in contact with plastic parts. They contain chemicals that can damage, weaken, or destroy plastic.
- Cleaning and user maintenance shall not be made by children without supervision.

- While the soldering iron tip is hot, wipe the tip against a damp sponge or a metallic wool pad to remove debris. Keeping a clean tip is important to extend the life of the tip and will improve solder melting and flow during use.
- For greater safety and reliability, all repairs should be performed by an authorised service centre.

### ENVIRONMENTAL PROTECTION



Recycle raw materials instead of disposing of as waste. The machine, accessories and packaging should be sorted for environment-friendly recycling.

### SYMBOLS ON THE PRODUCT



Safety alert



Volts



Direct current



Please read the instructions carefully before starting the machine.



Regulatory Compliance Mark (RCM). Product meets applicable regulatory requirements.



Hot surface



Hot surface! Do not touch!



Waste electrical products should not be disposed of with household waste. Please recycle where facilities exist. Check with your local authority or retailer for recycling advice.

### SYMBOLS IN THIS MANUAL



Note



Parts or accessories sold separately



Waiting time for iron to cool down

The following signal words and meanings are intended to explain the levels of risk associated with this product:

#### **DANGER**

Indicates an imminently hazardous situation, which, if not avoided, will result in death or serious injury.

#### **WARNING**

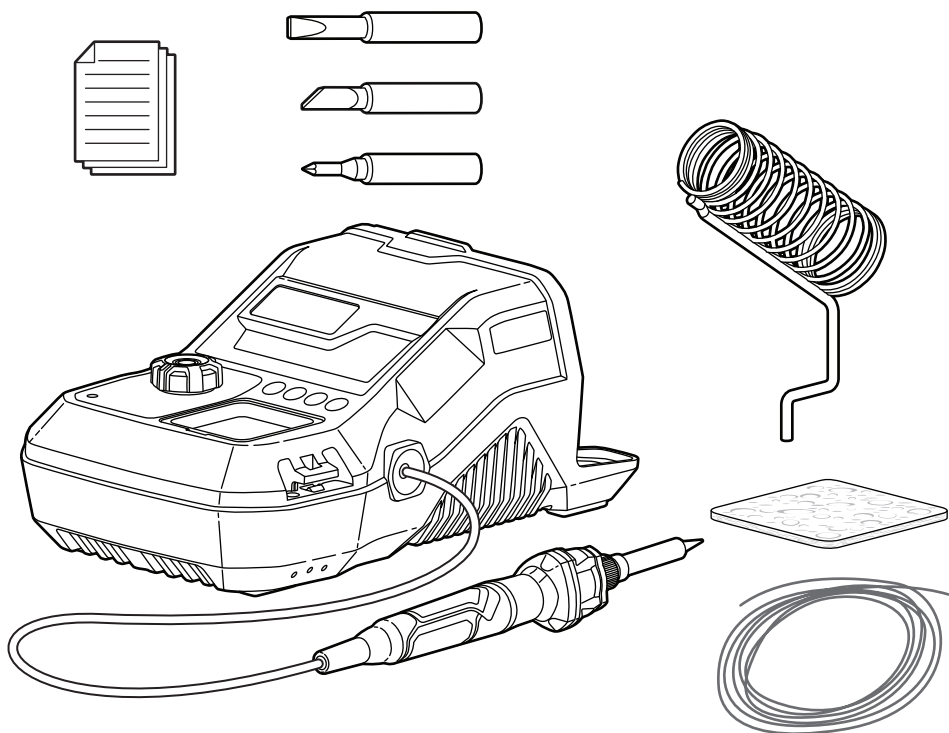
Indicates a potentially hazardous situation, which, if not avoided, could result in death or serious injury.

#### **CAUTION**

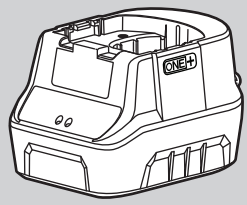
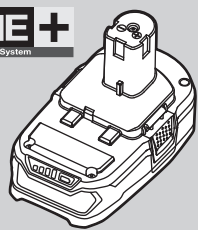
Indicates a potentially hazardous situation, which, if not avoided, may result in minor or moderate injury.

#### **CAUTION**

(Without Safety Alert Symbol) Indicates a situation that may result in property damage.

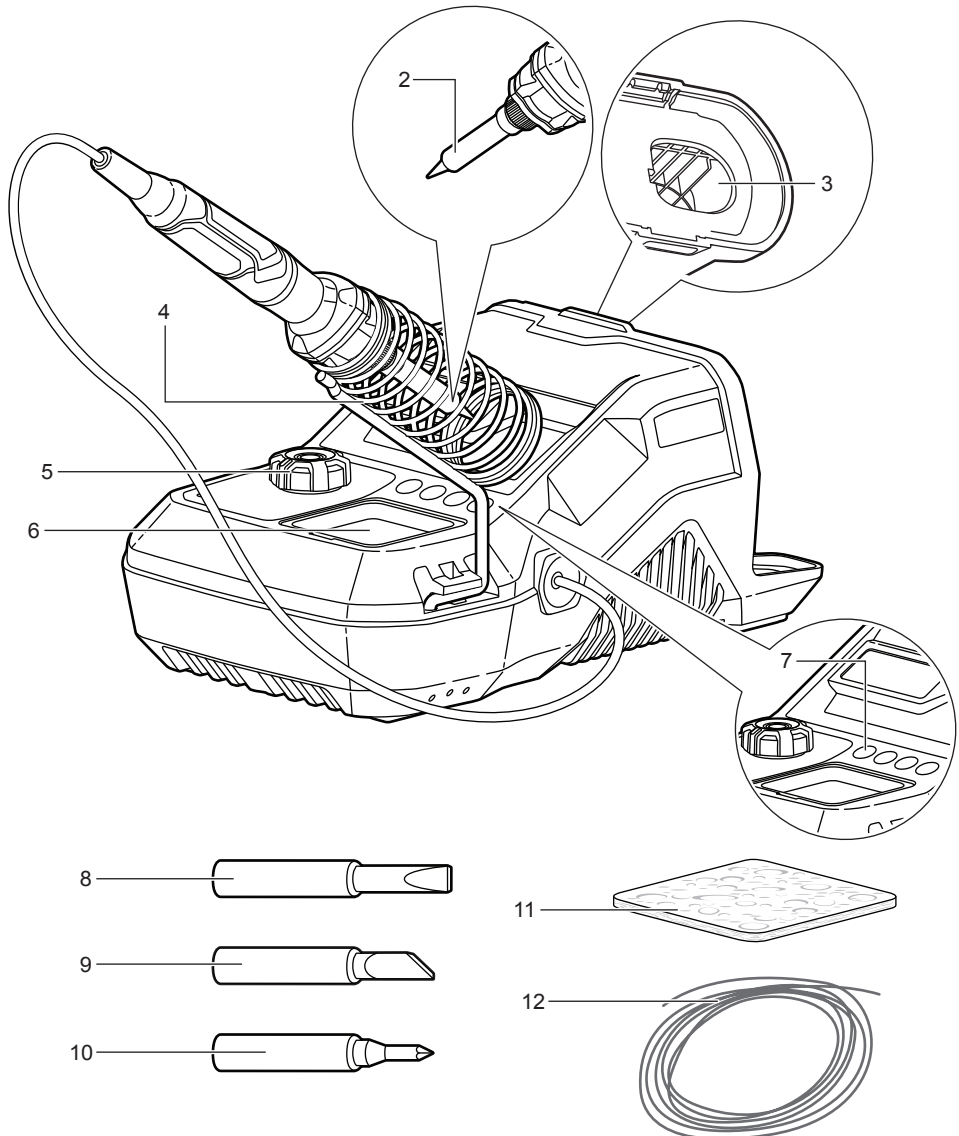


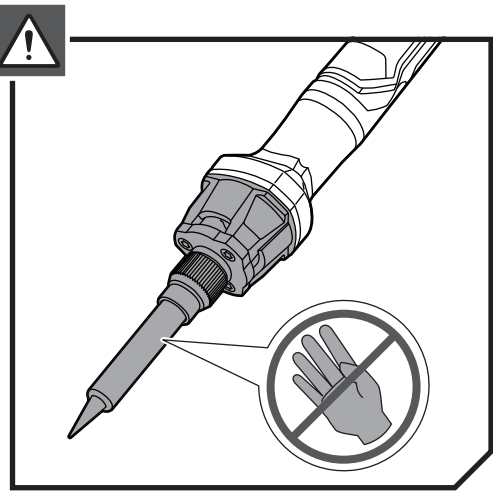
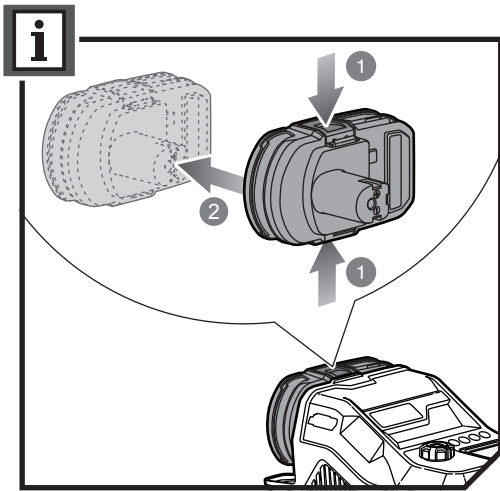
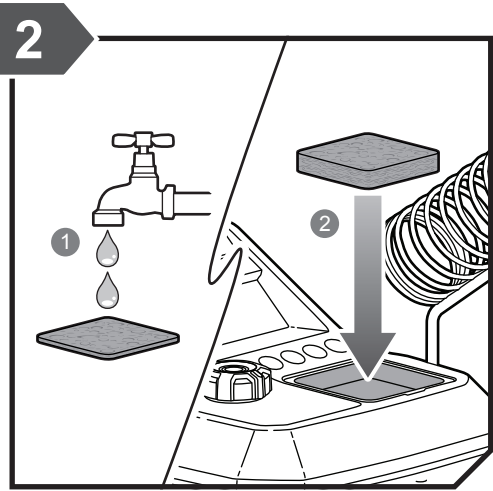
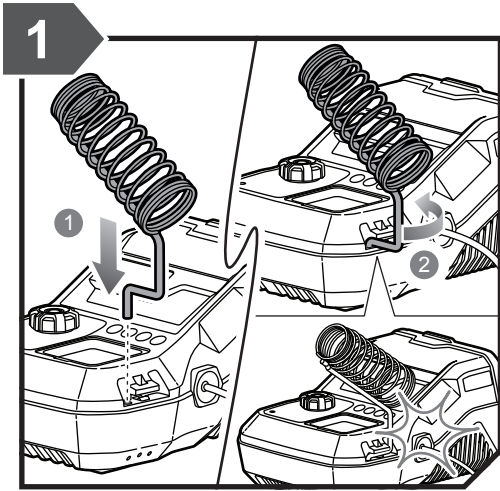
**RYOBI** **ONE+**  
14V System



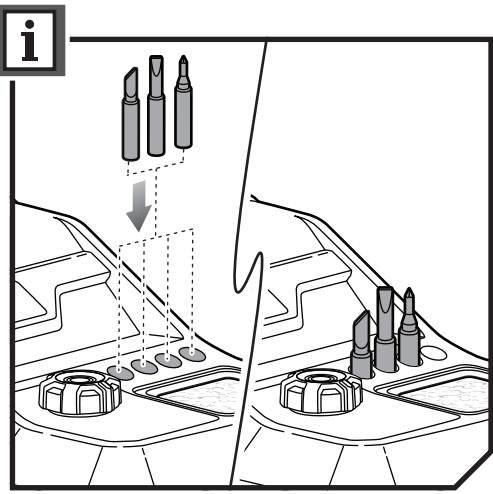
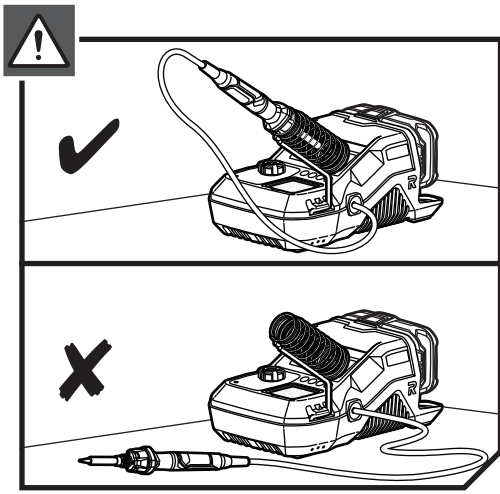
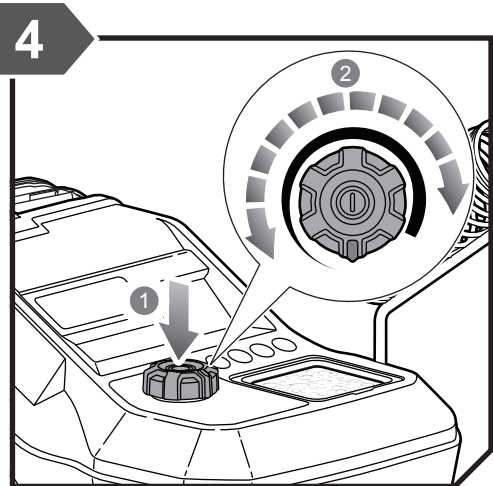
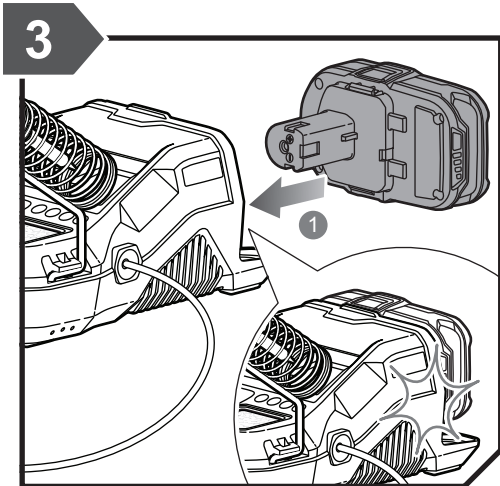
## KNOW YOUR PRODUCT

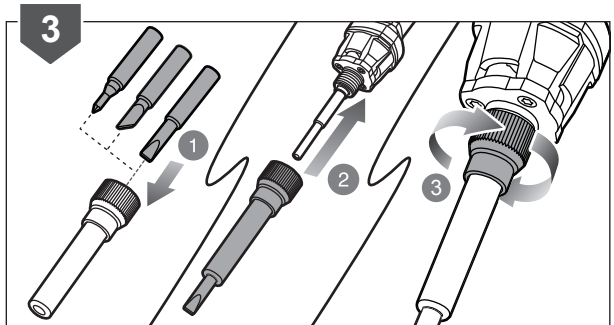
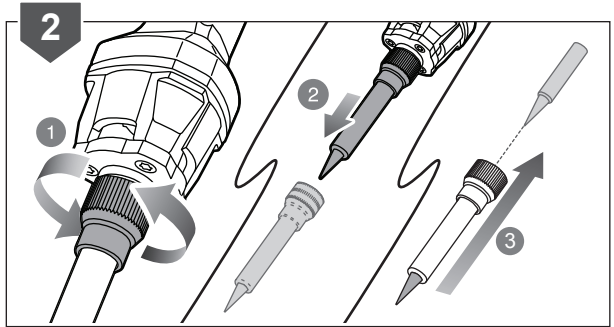
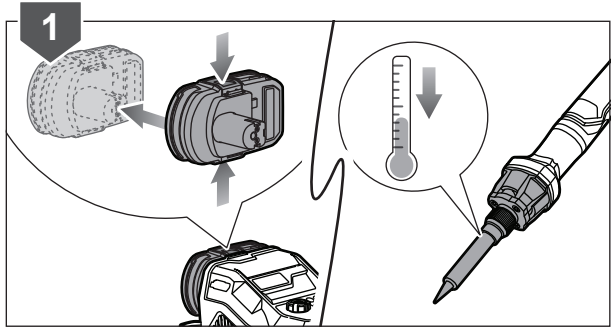
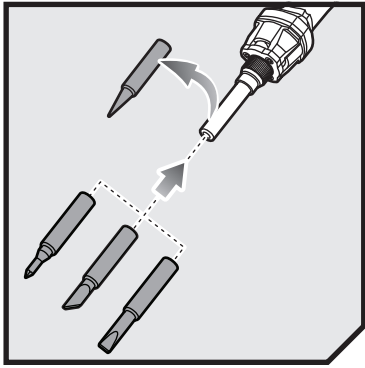
1. Soldering iron
2. Soldering tip
3. Battery port
4. Iron holder
5. ON/OFF button / Temperature dial
6. Sponge tray
7. Tip holder x 4
8. Chisel tip
9. Hot cutting knife tip
10. Drawing tip
11. Sponge
12. Solder reel

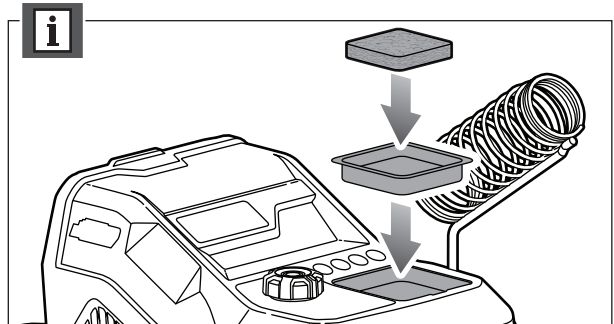
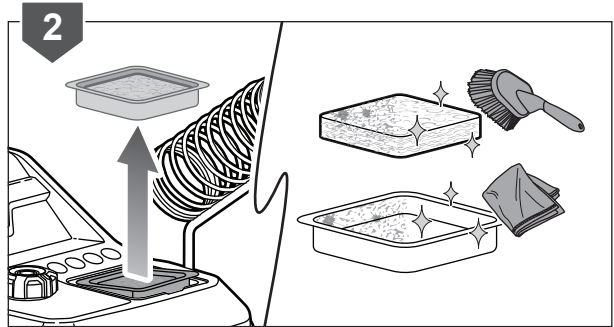
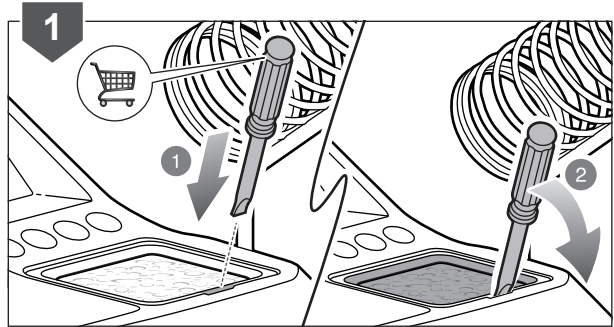
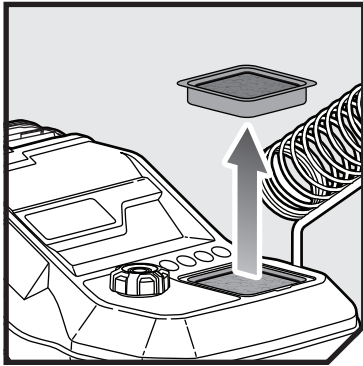












## PRODUCT SPECIFICATIONS

Soldering station	
Model	R18SO
Voltage	18 V
Power consumption	40 W
Working temperature	200 - 480 +/- 30 °C
Weight - not incl. battery pack	0.91 kg

## REPLACEMENT PARTS

Soldering tip	5131042131
Chisel tip	

## BATTERY AND CHARGER

Model	Compatible battery pack (not included)	Compatible charger (not included)
Lithium-Ion	RB18L13	BCS618G
	RB18L15	BCL14181H
	RB18L20	BCL14183H
	RB18L25	BCL1418IV*
	RB18L40	RC18150
	RB18L50	RC18150U
	RB18L90A	RC18627U
		RC18115
	RC18120	

\* for vehicles with 12V DC outlets



*RYOBI is a trademark of Ryobi Limited,  
and is used under license.*

Imported by:

**Techtronic Industries Australia Pty Ltd**  
31 Gilby Road, Mount Waverley, VIC 3149  
Melbourne, Australia  
**Techtronic Industries N.Z. Limited**  
2 Landing Drive, Mangere  
Auckland, 2022, New Zealand