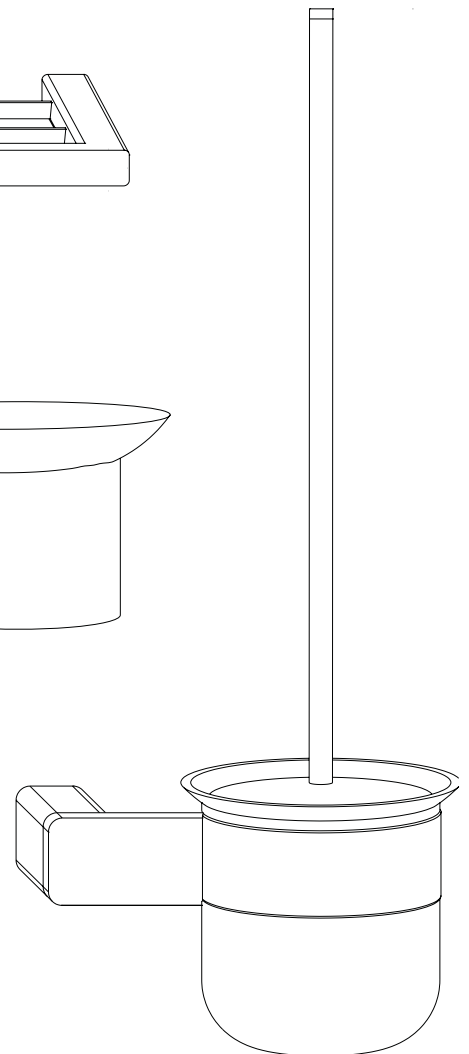
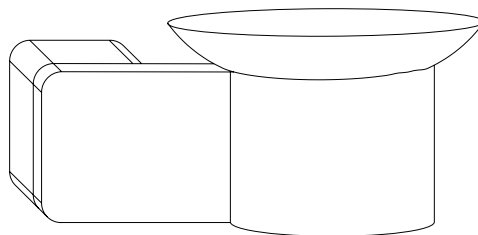
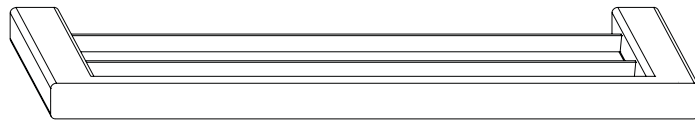


AZZURRA

INSTALLATION INSTRUCTIONS

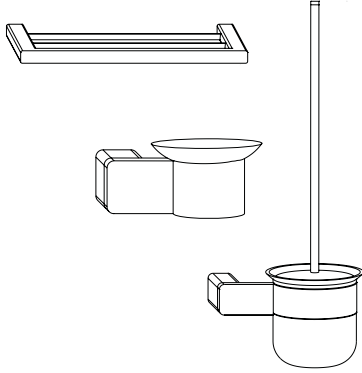
ACCESSORIES



ACCESSORIES

Installation Instructions

FOREWORD

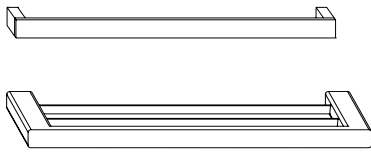


- Please ensure these installation instructions are current and for the product they are intended for.
- Ensure that the correct tools are used in each step of these procedures.
- For further information and or product support contact Azzurra Imports Pty Ltd.

ACCESSORIES

Installation Instructions

Towel rails, Shower shelves & Towel Racks



1. Place the rail in the position where it is to be located. Mark around the base plate at one end and level the rail using a spirit level, before marking around the other end.
2. Remove the rail and position the bracket in the marked location. Draw a cross inside each marked end to determine the center.
3. Mark the two holes in each bracket whilst ensuring that the end indented for the grub screw is on the underside, and drill a hole through the tiles for the masonry plug provided.
4. Secure the bracket with the screw provided and place the rail over the bracket, locking it into position with the allen screw installed on the rail.

***N.B. If the wall behind the tiles is not solid and fixing is directly to a plaster wall it is essential that noggins be positioned in the wall prior to sheeting.**

ACCESSORIES

Installation Instructions

Single Position Accessories

1. Position the fitting in the location where it is to be installed. Mark around the base plate and level the base using a spirit level.
2. Remove the fitting and position the bracket in the marked location. Draw a cross inside the marked square to determine the center.
3. Mark the two holes in each bracket ensuring that the end indented for the grub screw is on the underside, and drill a hole through the tiles for the masonry plug provided.
4. Secure the bracket with the screws provided and place the fitting over the bracket, locking it into position with the allen screw installed on the base plate.

***N.B. If the wall behind the tiles is not solid and fixing is directly to a plaster wall it is essential that noggins be positioned in the wall prior to sheeting.**

