

# Bellini

## INSTALLATION & OPERATION INSTRUCTIONS



### 25L Stainless Steel Microwave

Model No.

BMW625TKX FINELINE: 5102780 Aus Only

BMW625TKX-F

BMW625IGX FINELINE: 5102779 Aus Only

BMW625IGX-F



# Thank you

Thank you for choosing Bellini Appliances.

Bellini prides itself on 'affordable living' making sure there is no compromise in your favourite room ... The Kitchen

All Bellini appliances carry a 3 year In Home warranty, be sure to retain your installation and user manual and receipt.

For all warranty and technical queries please contact

**1300 373 199**

# Content

Safety instructions-----	2
Product description-----	5
Installation-----	6
Start Using your Microwave-----	14
Maintenance and cleaning -----	26
Warranty-----	27

## Important Safety Instructions

This manual explains the proper installation and use of your oven, please read it carefully before using even if you are familiar with the product. The manual should be kept in a safe place for future reference. In case of failure, only the Authorised Technical Service may repair this microwave. Otherwise the guarantee will be null and void. All Bellini Appliances are for domestic use only.

### Warnings

- ◆ If the supply cord is damaged, the cord must be replaced by the manufacturer, its service agent or similarly qualified persons in order to avoid a hazard.
- ◆ If the door or door seals are damaged, the oven must not be operated until it has been repaired by an authorised person.
- ◆ Do not place any object between the oven front face and the door or allow soil or cleaner residue to accumulate on sealing surfaces.
- ◆ If the apparatus is not maintained in a good state of cleanliness, its surface could be degraded and affect the lifespan of the apparatus and lead to a dangerous situation.
- ◆ Liquids and other foods must not be heated in sealed containers since they are liable to explode.
- ◆ It is hazardous for anyone other than a authorised person to carry out any service or repair operation that involves the removal of a cover which gives protection against exposure to microwave energy.
- ◆ Do not run the unit without any food inside.
- ◆ Only use utensils suitable for use in microwave ovens.
- ◆ When heating food in plastic or paper containers, keep an eye on the oven due to the possibility of ignition.
- ◆ If smoke is observed, switch off or unplug the appliance and keep the door closed in order to stifle any flames.
- ◆ Do not overcook food.
- ◆ Do not use the oven cavity for storage purposes. Do not store items, such as bread, cookies, etc. inside the oven.
- ◆ Remove wire twist-ties and metal handles from paper or plastic containers/bags before placing them in the oven.
- ◆ Install or locate this oven only in accordance with the installation instructions provided.
- ◆ Eggs in the shell and whole hard-boiled eggs should not be heated in microwave ovens since they may explode, even after microwave heating has ended.
- ◆ Use this appliance only for its intended uses as described in manual. Do not use corrosive chemicals or vapors in this appliance. This oven is especially designed to heat. It is not designed for industrial or laboratory use.
- ◆ Do not store or use this appliance outdoors.
- ◆ Do not use this oven near water, in a wet basement or near a swimming pool.
- ◆ The temperature of accessible surfaces may be high when the appliance is operating. The surfaces are liable to get hot during use. Keep cord away from heated surface, and do not cover any events on the oven.
- ◆ Do not let cord hang over edge of table or counter.
- ◆ The contents of feeding bottles and baby food jars shall be stirred or shaken and the temperature checked before consumption, in order to avoid burns.
- ◆ Microwave heating of beverages can result in delayed eruptive boiling; therefore care must be taken when handling the container.
- ◆ The appliances are not intended to be operated by means of an external timer or separate remote-control system.
- ◆ During use the appliance becomes hot. Care should be taken to avoid touching heating elements inside the oven.
- ◆ Always use gloves when handling hot items inside the oven.
- ◆ Always turn the grill off immediately after use as fat left behind may catch fire.
- ◆ Do not leave the appliance unattended when cooking. Oils and fats may catch fire due to overheating or boiling over.
- ◆ Do not attempt to operate this oven with the door open since this can result in harmful exposure to microwave energy. It is important not to break or

tamper with the safety interlocks.

- ◆ Do not place any object between the oven front face and the door or allow soil or cleaner residue to accumulate on sealing surfaces.
- ◆ Do not use the appliance in the event of a technical fault. Any faults must be fixed by an appropriately qualified and authorised person.
- ◆ In the event of any incident caused by a technical fault, disconnect the power and report the fault to the service centre to be repaired.
- ◆ The rules and provisions contained in this instruction manual should be strictly observed.
- ◆ Do not allow anybody who is not familiar with the contents of this instruction manual to operate the appliance.

### Child Safety

- ◆ This appliance is not intended for use by persons (including children) with reduced physical, sensory or mental capabilities, or lack of experience and knowledge, unless they've been given supervision or instruction concerning use of the appliance by a person responsible for their safety.
- ◆ Children should be supervised to ensure that they do not play with the appliance.
- ◆ During use this appliance becomes hot. Care should be taken to avoid touching hot surfaces, e.g. oven door, heating elements.
- ◆ Accessible parts will also become hot when in use. To avoid burns and scalds children should be kept away.

### Installation, Cleaning & Servicing

- ◆ The appliance must be installed only by an authorised person in compliance with the instructions provided. Incorrect installation may cause harm to persons, animals or may damage property.
- ◆ Before using the appliance, ensure that all packing materials are removed from the appliance.
- ◆ In order to avoid any potential hazard, the enclosed installation instructions must be followed.
- ◆ Ensure that all specified vents, openings and air spaces are not blocked.

- ◆ The panels adjacent to the oven must be made of heat-resistant material.
- ◆ The oven should be cleaned regularly and any food deposits should be removed. Failure to maintain the oven in a clean condition could lead to deterioration of the surface that could adversely affect the life of the appliance and possibly result in a hazardous situation. Steam cleaner is not to be used.
- ◆ Do not use harsh abrasive cleaners or sharp metal scrapers to clean the oven door glass since they can scratch the surface, which may result in shattering of the glass.
- ◆ The rear surface of appliance shall be placed against a wall.
- ◆ Ensure that the appliance is switched off before replacing the lamp to avoid the possibility of electric shock.
- ◆ To reduce the risk of fire, do not place or install this unit in areas where the ventilation or circulation ducts may become blocked. Make sure there are at least 45mm of space between the back of your oven and the wall. Keep some distance on each side of your oven that you can use that distance flowing installing instructions.
- ◆ The unit's power cord must be connected to a properly grounded and protected, 230-240V electrical outlet. Always use ground fault protection where required by the electrical code. Do not let cord hang over edge of table or counter.
- ◆ When transporting or storing the unit, keep it in a dry location, free from dust, excessive vibration or other factors, which may damage the unit.
- ◆ Do not operate oven with a damaged cord, plug or if the oven has malfunctioned or has been dropped or damaged in any manner. Return oven to authorised service facility for repair.
- ◆ Only authorised personnel should carry out servicing. (Certificate of Compliance to be retained)
- ◆ Always ensure the appliance is switched off before cleaning or replacing parts.
- ◆ Do not use steam cleaners, as this may cause moisture build-up.
- ◆ Always clean the appliance immediately after any food spills.
- ◆ **THIS APPLIANCE MUST BE EARTHED.**

- ◆ To maintain safe operation, it is recommended that the product be inspected every five years by an authorised service person.

### **Microwave Oven**

- ◆ During use the appliance becomes hot. Care should be taken to avoid touching the hot surfaces inside the oven.
- ◆ To avoid an accident, ensure that oven shelves and fittings are always inserted into the appliance in accordance with the instructions.
- ◆ Do not use the door as a shelf.
- ◆ Do not push down when the oven door is open.

### **Grill**

- ◆ Do not cover the grill insert with foil, as fat built up may catch on fire.
- ◆ Always keep the grill dish clean as any build up may catch on fire.
- ◆ Do not leave the grill on unattended.
- ◆ To avoid fire, ensure that grill trays and fittings are always inserted into the appliance in accordance with the instructions.
- ◆ Do not place thick portions of food under the grill. Foods may curl, catch and ignite.
- ◆ Accessible parts may become hot when grill is in use. Children should be kept away.

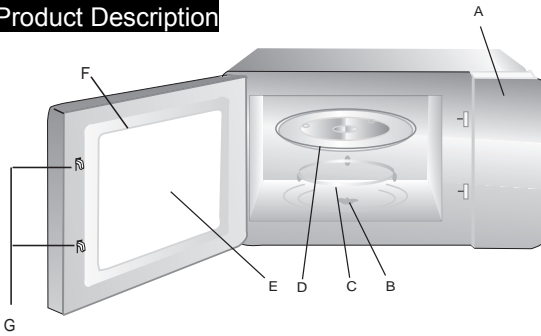
### **Environmental Hints**

This product must not be disposed together with domestic waste. This product has to be disposed at an authorised place for recycling of electrical and electronic appliances.




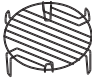

By collecting and recycling waste, you help save natural resources, and make sure the product is disposed in an environmental friendly and healthy way.



## Product Description



- A. Control Panel
- B. Turntable Shaft
- C. Turntable Ring Assembly
- D. Glass Tray
- E. Observation Window
- F. Door
- G. Safety Interlock System

Accessory Name	Picture ( for reference only, physical unit maybe different)	Quantity
User Manual		1
Installation Manual		1
1:1 installation template		1
Screw A		For BMW625IGX(-F), QTY=2; for BMW625TKX(-F), QTY=3
Screw B		For BMW625IGX(-F), QTY=1
Bracket		1
Already installed Trim Kit		1
Grill Rack		1 (For BMW625TKX(-F))
		1 (For BMW625IGX(-F))
Turntable Ring Assembly	See above item C	1
Glass Tray	See above item D(Diameter=315mm)	1

## Technical Specifications

model	product dimensions (h x w x d) mm	Appro x. net weight	Oven capacity	electrical connection	Rated input power	Rated out power (Microwave)
BMW625TKX BMW625TKX-F	388 x 595 x 470	20.9 Kg	25 L	230-240V/50Hz	1400 – 1450W(Microwave) 1000 – 1100W(Grill) 2300 – 2400W(Convection)	850 – 900W
BMW625IGX BMW625IGX-F	388 x 595 x 400	19.7 Kg	25 L	230-240V/50Hz	1450W(Microwave) 1000W(Grill)	900W



# Installation

## WARNING!

Please follow the points below when installing the appliance

### Use An Authorized Person

- ◆ As stated in the local municipal building codes and other relevant statutory regulations:
- ◆ Wiring connections must be in accordance with AS/NZS 3000 Wiring Rules and any particular conditions of the local authority.
- ◆ Refer to data plate for rating information. The data plate is positioned at the side of cavity.
- ◆ A functional switch should be provided near the appliance in an accessible position. Refer to AS/NZS 3000 clause 4.7.1.
- ◆ Wiring should be protected against mechanical failure. Refer to AS/NZS 3000 clause 1.5.
- ◆ A means of disconnection with a contact separation of at least 3mm must be supplied in the fixed wiring.
- ◆ Disconnect the power plug of the appliance from the power point when conducting maintenance or repairs to the unit

### This Appliance Must Be Properly Earthed

- ◆ Do not lift the appliance by the door handles.
- ◆ Prepare the cupboard opening to match your appliance measurements. (See diagrams).
- ◆ Slide appliance in to cabinet cavity, ensuring supply cable is not obstructed (kinked, jammed or twisted).
- ◆ Where the appliance is built into a cabinet, the cabinet material must be capable of withstanding 90°C. Installation into low temperature tolerant cabinetry (E.g. vinyl coated) may result in deterioration of the low temperature coating by discoloring or bubbling.
- ◆ If the appliance is to be installed adjacent to vinyl wrapped surfaces, use an installation kit available from the vinyl-wrap supplier.
- ◆ GSM cannot accept responsibility for damage caused by installation into low temperature tolerant cabinets.
- ◆ After installation, test and ensure the appliance operates correctly before handing it over to the

customer.

## CAUTION!

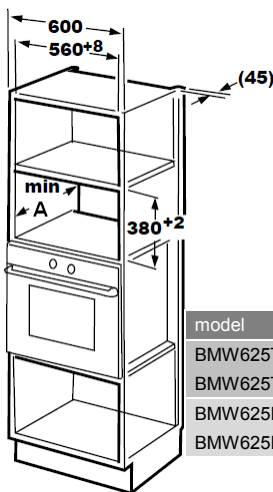
Where the appliance is connected via power supply cable to a power point, the installed power point must remain accessible after appliance installation

A dedicated power circuit is recommended for the unit but not required. Additional electrical appliances on the same circuit may exceed the current (amperage) rating for that circuit. If after the installation of your unit the circuit breaker trips or the fuse fails on a repeated basis, then a dedicated circuit will likely be required.

## WARNING!

**To avoid any potential hazard, you must follow our instructions when you install your appliance. Failure to install the appliance correctly could invalidate any warranty or liability claims and lead to prosecution.**

### Cut-out dimensions



model	Dimension A(mm)
BMW625TKX, BMW625TKX-F	550 minimum
BMW625IGX BMW625IGX-F	500 minimum

Install the unit according to installation manual in the packaging

## Installation

For Model: BMW625IGX/BMW625IGX-F

# Installation Instructions

Please Read the Manual Carefully Before Installation

## Please note

### Electrical connection

The oven is fitted with a plug and must only be connected to a properly installed earthed socket. The socket must only be installed and the connecting cable must only be replaced by a qualified electrician, and in accordance with the appropriate regulations.

If the plug is no longer accessible following installation, an all-pole isolating switch must be present on the installation side with a contact gap of at least 3 mm.

The fitted cabinet must not have a back wall behind the appliance.

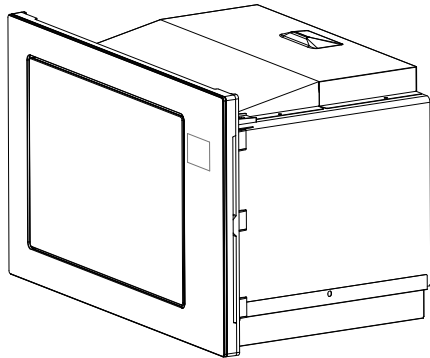
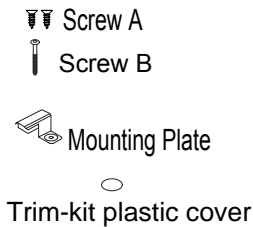
A gap must be maintained between the wall and the base of the unit above. Specific gap size could be referenced by the diagrams.

Minimum installation height: 85 cm.

Do not cover ventilation slots and suction holes.

### Note:

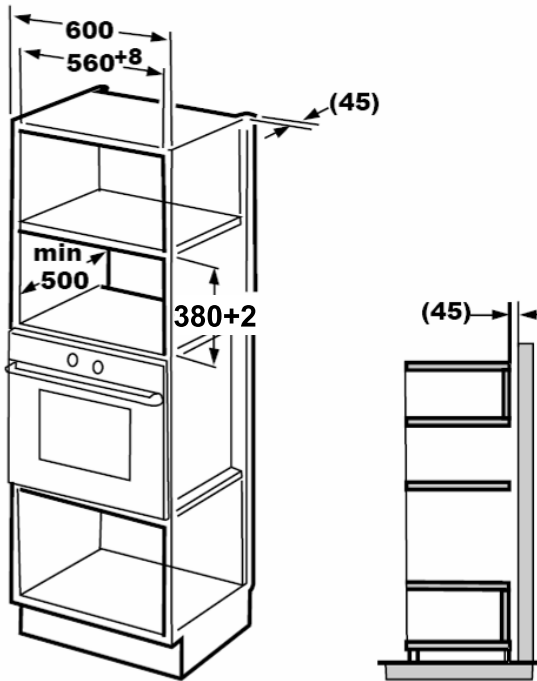
Do not trap or bend the power cable.



# Installation

For Model: BMW625IGX/BMW625IGX-F

## A. Built-in furniture

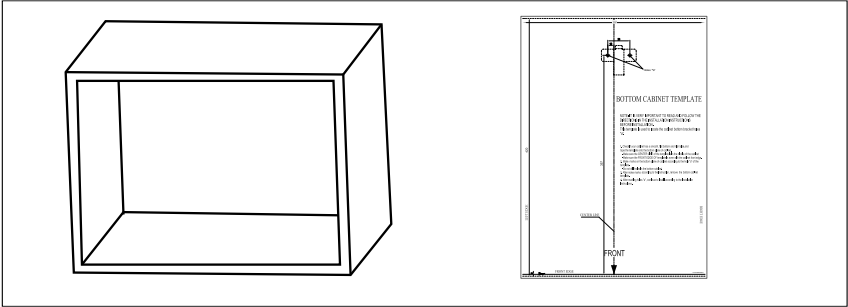


# Installation

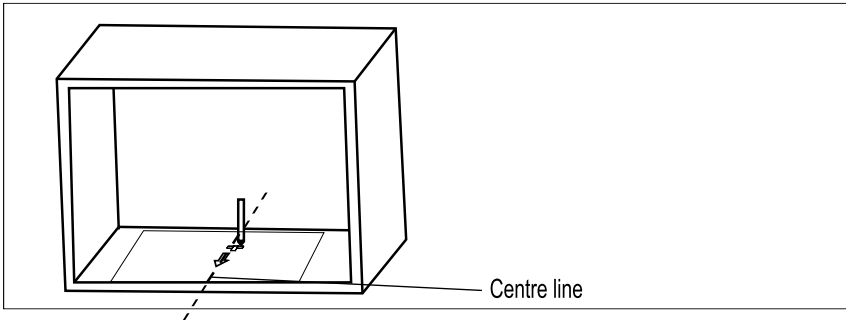
For Model: BMW625IGX/BMW625IGX-F

## B.Prepare the cabinet

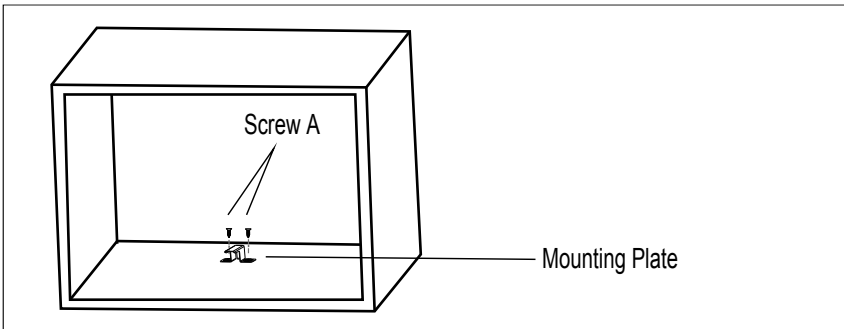
1. Read the instruction on the BOTTOM CABINET TEMPLATE , put the template on the bottom plane of cabinet.



2. Make the marks on the bottom plane of cabinet according to marks "a" of the template



3. Remove the bottom cabinet template and fix the mounting plate with screw A.



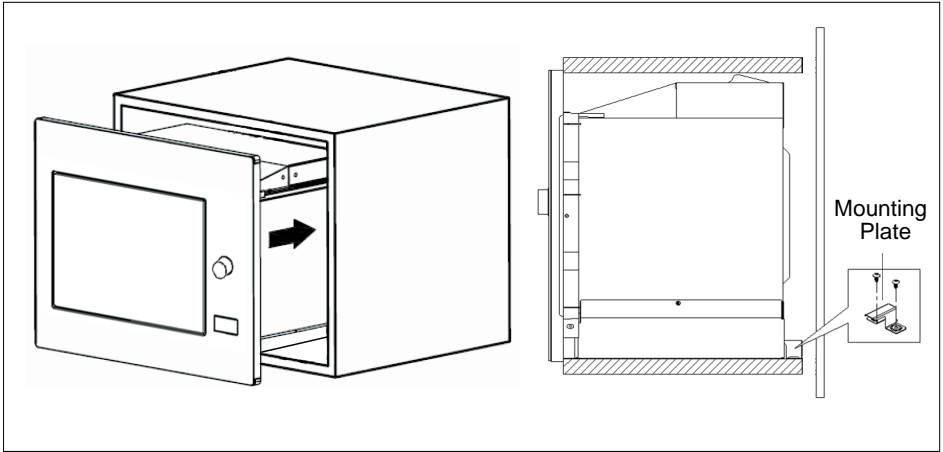
## Installation

For Model: BMW625IGX/BMW625IGX-F

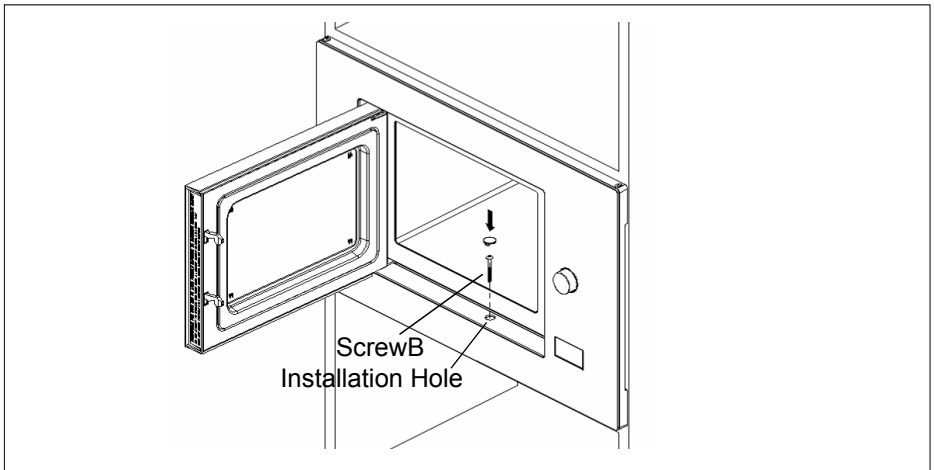
### C.Install the oven

#### 4. Install the oven to the cabinet

- Make sure the back of the oven is locked by mounting plate .
- Do not trap or kink the power cord.



5. Open the door, fix the oven to the cabinet with Screw B , at the installation hole.  
Then fix the Trim-kit plastic cover to the installation hole.



# Installation

For Model: BMW625TKX/BMW625TKX-F

## Please note

### Electrical connection

The oven is fitted with a plug and must only be connected to a properly installed earthed socket. The socket must only be installed and the connecting cable must only be replaced by a qualified electrician, and in accordance with the appropriate regulations.

If the plug is no longer accessible following installation, an all-pole isolating switch must be present on the installation side with a contact gap of at least 3 mm.

The fitted cabinet must not have a back wall behind the appliance.

A gap must be maintained between the wall and the base of the unit above.

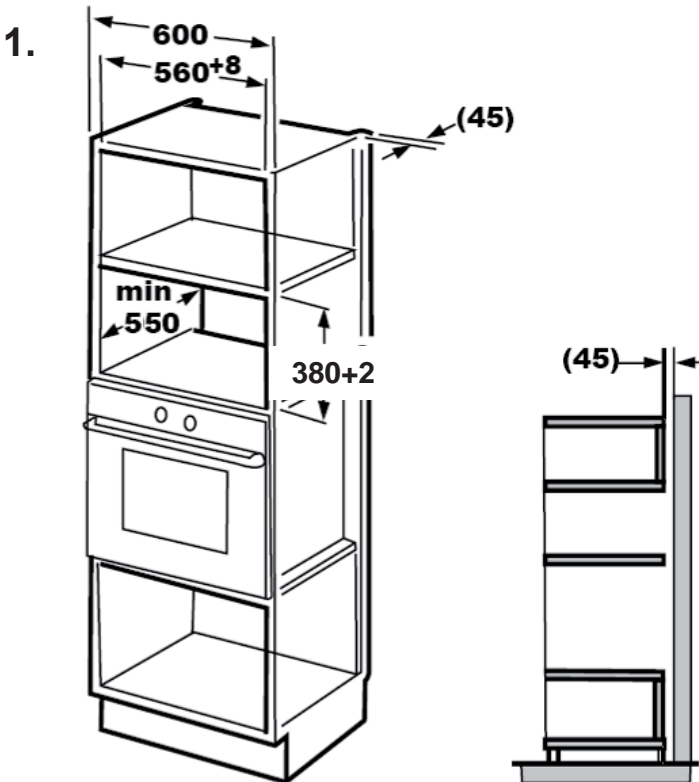
Specific gap size could be referenced by the diagrams.

Minimum installation height: 85 cm.

Do not cover ventilation slots and suction holes.

### Note:

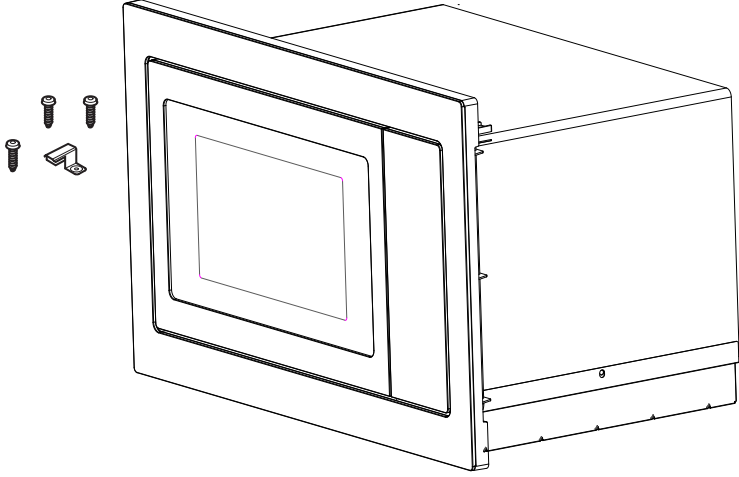
Do not trap or bend the power cable.



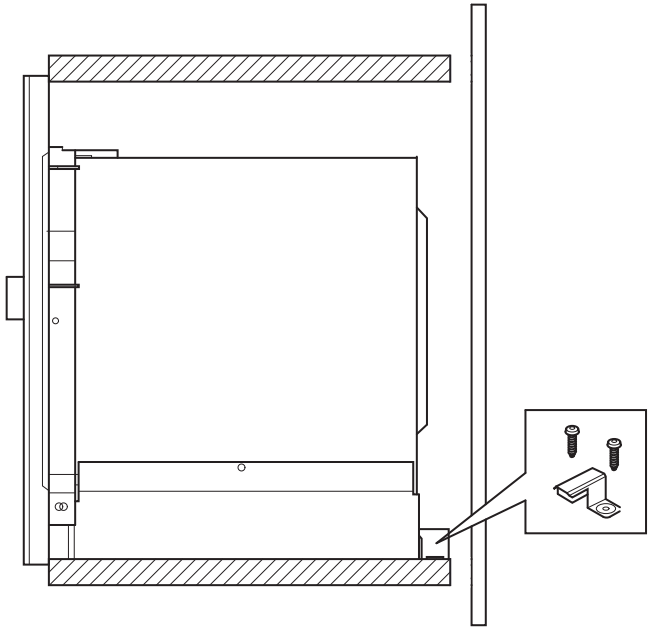
# Installation

For Model: BMW625TKX/BMW625TKX-F

2.



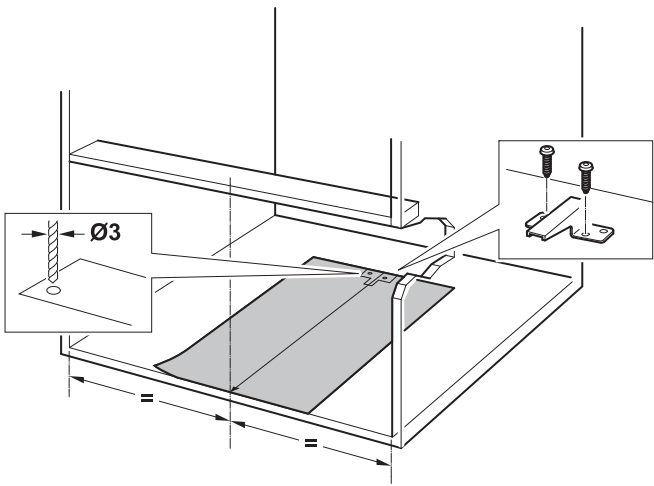
3.



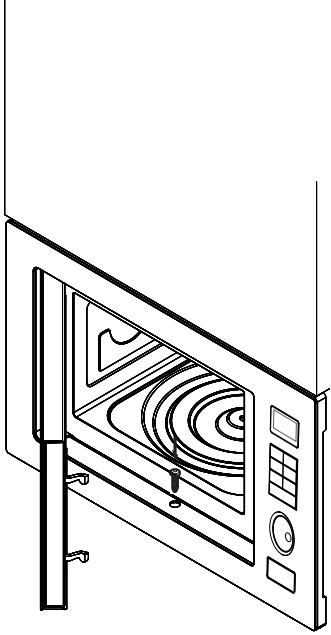
# Installation

For Model: BMW625TKX/BMW625TKX-F

4.



5.





## Start Using Your Microwave Oven

### WARNING!

**DO NOT RUN THE UNIT WITHOUT ANY FOOD INSIDE.**

#### Material to be avoided use in microwave oven

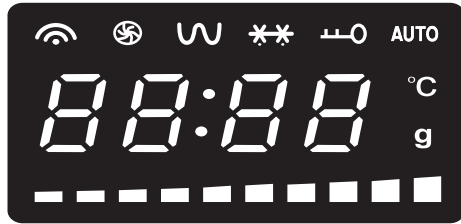
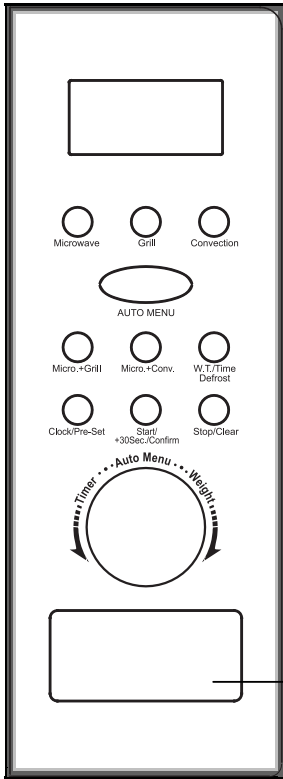
Utensils	Why
<b>Aluminium tray</b>	May cause arcing. Transfer food into microwave-safe dish.
<b>Food carton with metal handle</b>	May cause arcing. Transfer food into microwave-safe dish.
<b>Metal or metal trimmed utensils</b>	Metal shields the food from microwave energy. Metal trim may cause arcing.
<b>Metal twist ties</b>	May cause arcing and could cause a fire in the oven.
<b>Paper bags</b>	May cause a fire in the oven.
<b>Plastic foam</b>	Plastic foam may melt or contaminate the liquid inside when exposed to high temperature.
<b>Wood</b>	Wood will dry out when used in the microwave oven and may split or crack.

#### Material could be used in microwave oven

Utensils	Suggestion
<b>Browning dish</b>	Follow manufacturer's instructions. The bottom of browning dish must be at least 3/16 inch (5mm) above the turntable.
<b>Dinnerware</b>	Microwave-safe only. Do not use cracked or chipped dishes.
<b>Glass jars</b>	Always remove lid. Use only to heat food until just warm. Most glass jars are not heat resistant and may break.
<b>Glassware</b>	Heat-resistant oven glassware only. Make sure there is no metallic trim. Do not use cracked or chipped dishes.
<b>Oven cooking bags</b>	Follow manufacturer's instructions. Do not close with metal tie. Make slits to allow steam to escape.
<b>Paper plates and cups</b>	Short-term using only. Do not leave oven unattended while cooking.
<b>Paper towels</b>	Use to cover food for reheating and absorbing fat. Use with supervision for a short-term cooking only.
<b>Parchment paper</b>	Use as a cover to prevent splattering or a wrap for steaming.
<b>Plastic</b>	Labeled "Microwave Safe" only. Some plastic containers soften, as the food inside gets hot. "Boiling bags" and tightly closed plastic bags should be slit, pierced or vented as directed by package.
<b>Plastic wrap</b>	Microwave-safe only. Use to cover food during cooking to retain moisture. Do not allow plastic wrap to touch food.
<b>Thermometers</b>	Microwave-safe only (meat and candy thermometers).
<b>Wax paper</b>	Use as a cover to prevent splattering and retain moisture.

## Operation Instruction for BMW625TKX

This microwave oven uses modern electronic control to adjust cooking parameters to meet your needs better for cooking.



Microwave indicator    Convection indicator

Grill indicator    Defrost indicator

Child lock    **AUTO** Auto menu

**°C** Convection temperature unit indicator, ON if centigrade is chosen

**g** Weight unit (On when choose defrost by weight)



Convection temperature indicator

→ Door open push button

### ◆ O' Clock Setting



When the microwave oven is electrified, the LED will display "0:00", buzzer will ring once.

1. Press " Clock/Pre-set " to choose 12-hour or 24-hour
2. Turn to adjust the hour figures, the input time should be within 0--23(24-hour) or 1--12(12-hour).
3. Press "Clock/Pre-set ", the minute figures will flash.
4. Turn to adjust the minute figures, the input time should be within 0--59.
5. Press "Clock/Pre-set " to finish clock setting. ":" will flash.

#### NOTE:

- If the clock is not set, it would not function when powered.
- During the process of clock setting, if you press "Stop/Clear ", the oven will go back to previous status automatically.

◆ **Microwave Cooking**

1. Press the "Microwave" once, the LED will display "P100".
2. Press "Microwave" for times or turn "  " to select the microwave power from 100% to 10%. "P100", "P80", "P50", "P30", "P10" will display in order. For example if you want cook in 50% power than press "Microwave" 3 times until P50 displayed. (See below table 1 for reference only)
3. Press "Start/+30Sec./Confirm" to confirm.
4. Turn "  " to adjust the cooking time. (The time setting should be 0:05- 95:00.When turn the knob, increasing of each turning is not even, see below table 2 for reference only)
5. Press "Start/+30Sec./Confirm" to start cooking.

**NOTE:**


Table 1

Display	Microwave Power	Grill Power (1000W)
<b>P100</b>	100%	
<b>P80</b>	80%	
<b>P50</b>	50%	
<b>P30</b>	30%	
<b>P10</b>	10%	

Table 2

Setting duration range	Time increasing by each turn
<b>0 - 1 min</b>	5 seconds
<b>1 – 5 min</b>	10 seconds
<b>5 – 10 min</b>	30 seconds
<b>10 – 30 min</b>	1 minute
<b>30 – 90 min</b>	5 minutes



◆ **Grill Cooking**

1. Press the "Grill" once, "G-1" display.
2. Turn "  " to adjust the cooking time. (The time setting should be 0:05- 95:00.)
3. Press "Start/+30Sec./Confirm" to start cooking.


**NOTE:**


When half of the grill time up, buzzer sound twice to remind you turn the food over. In order to have a better effect of grilling food, turn it over, close the door, and press "Start/+30Sec./Confirm" to continue cooking.

◆ **Microwave + Grill Cooking**

1. Press the "Micro. +Grill" once, "G-2" display.
2. Press "Micro. +Grill" for times or turn "  " to select "G-3", "G-4", "G-2" in sequential.
3. Press "Start/+30Sec./Confirm" to confirm the setting.
4. Turn "  " to adjust the cooking time(The time setting should be 0:05 – 95:00)
5. Press "Start/+30Sec./Confirm" to start cooking.

◆ **Microwave + Convection Cooking**

1. Press the "Micro.+Conv. " key once, and "C-1" display.
2. Press "Micro. +Conv" for times or turn "  " to select "C-1", "C-2", "C-3" or "C-4" in order.
3. Press "Start/+30Sec./Confirm" to confirm the setting.



- Turn " " to adjust the cooking time(The time setting should be 0:05 – 95:00)
- Press "Start/+30Sec./Confirm "to start cooking.

**NOTE:** Combination instructions

Display	Microwave Power (900W)	Grill Power (1000W)	Convection Power (2500W)
G-2	28%	72%	
G-3	38%	62%	
G-4	48%	52%	
C-1	28%		72%
C-2	38%		62%
C-3	48%		52%
C-4	28%	72%	72%

#### ◆ Convection Cooking(With preheating function)



The convection cooking can allow you to cook the food as a traditional oven. Microwave is not used. It is recommended that you should preheat the oven to the appropriate temperature before placing the food in.

- Press the "Convection" once, "130" will flash.
  - Keep pressing "Convection" or turn " " to select the convection function.
- \*\*\* The temperature can be chosen from 130 degrees to 220 degrees.
- Press the "Start/+30Sec./Confirm "to confirm the temperature.
  - Press the "Start/+30Sec./Confirm "to start preheating. When the preheating temperature reaches, the buzzer will sound twice to remind you to put the food into the oven. And the preheated temperature is displayed and flash.
  - Put the food into the oven and close the door. Turn " " to adjust the cooking duration. (The maximum duration is 95 minutes.)
  - Press the "Start/+30Sec./Confirm "to start cooking.

**NOTE:**

- Cooking duration can not be input until the preheating temperature reach. When the temperature reach, open the door and input the cooking time.
- If no time input operation in 5 minutes, the oven will stop preheating. The buzzer sound five times and turn back to stand-by.




#### ◆ Convection Cooking( Without pre-heating function)

- Press the "Convection" once, "130" will flash.
- Keep pressing "Convection" or turn " " to select the convection function.  
\*\*\* The temperature can be chosen from 130 degrees to 220 degrees.
- Press the " Start/+30Sec./Confirm" to confirm the temperature
- Turn " " to adjust the cooking duration. (The maximum duration is 95 minutes.)
- Press the "Start/+30Sec./Confirm "to start cooking.

### ◆ Multi-Stage Cooking

- 2 stages can be maximally set. The buzzer will ring once after each stage and the next stage will begin.
- Auto menu and preheating cannot be set as one of the multi-stage.
- Defrosting must be put as the first stage.



**Example:** if you want to defrost the food for 5 minutes, then to cook with 80% microwave power for 7 minutes. Do as following:

1. Press "W.T./Time Defrost " twice, the LED will display "dEF2";
2. Turn " " to adjust the defrost time as 5 minutes;
3. Press " Microwave" once
4. Press " Microwave " for times or turn " " till "P80" display;
5. Press " Start/+30Sec./Confirm " to confirm;
6. Turn " " to adjust the cooking duration as 7 minutes;
7. Press "Start/+30Sec./Confirm "to start multi-stage cooking.

### ◆ Pre-set Function



Combined O'clock and multi-stage cooking, you can set up a preferred cooking program starts from defined time point. To do that, you must set up O'clock as per foresaid instruction firstly.

**Example:** if you want to cook with 80% microwave power for 7 minutes but start from 15:30, do as below  
Make sure your O'clock set as per current time.

1. Do as per "Multi-stage" example but final step do not press " Start/+30Sec./Confirm ", instead, press " Clock/Pre-set ", current time displays and the hour figures flash.
2. Turn " " to adjust desired hour figures, the input time should be within 0--23(24-hour) or 1--12(12-hour).
3. Press " Clock/Pre-set ", the minute figures will flash, Turn " " to adjust desired minute figures
4. Press "Start/+30Sec./Confirm " to finish setting. ":" will light, buzzer will ring twice when the time arrives 15:30, then cooking will start automatically.

**NOTE:** Defrost function should not be set in the pre-set function

### ◆ Auto Menu

1. In stand by state, press "AUTO MENU" key once, and "A1" display.
2. Press " AUTO MENU" for times or turn " " to choose "A2", "A3"... "A10", "A1"
3. Press "Start/+30Sec./Confirm "to confirm the menu you need.
4. Turn " " to choose the weight of menu, and "g" indicator will light
5. Press "Start/+30Sec./Confirm "to start cooking.



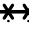
#### **NOTE:**

When you choose A8 cake, please do not put the cake into the oven at the beginning until buzzer sounds twice to remind you it is time to do it because the oven needs to be preheated to 180 degree firstly. After putting the cake in the oven and door closed, press "Start/+30Sec./Confirm "again to start the program.




Auto menu table for reference only

Menu	Weight(gram)	Display	Power
<b>A1</b> <b>Reheat</b>	150	150	100%
	250	250	
	350	350	
	450	450	
	600	600	
<b>A2</b> <b>Potato</b>	About 230g	1	100%
	About 460g	2	
	About 690g	3	
<b>A3</b> <b>Pork</b>	150	150	100%
	300	300	
	450	450	
	600	600	
<b>A4</b> <b>Vegetable</b>	150	150	100%
	350	350	
	500	500	
<b>A5</b> <b>Fish</b>	150	150	80%
	250	250	
	350	350	
	450	450	
	650	650	
<b>A6</b> <b>Pasta</b>	50(With 45ml water)	50	80%
	100(With 800ml water)	100	
	150(With 1200ml water)	150	
<b>A7</b> <b>Soup</b>	200	200	100%
	400	400	
	600	600	
<b>A8 Cake</b>	475	475	Must preheat
<b>A9</b> <b>Pizza</b>	200	200	C-4
	300	300	
	400	400	
<b>A10</b> <b>Chicken</b>	500	500	C-4
	750	750	
	1000	1000	
	1200	1200	

◆ **Defrost by W.T.**

1. Press "W.T./Time Defrost" once, LED will display "dEF1",.
2. Turn "  " to select the weight of food, "g" will lights. The weight should be 100-2000g.
3. Press "Start/+30Sec./Confirm" to start defrosting"  and "  " indicators will flash, "g" indicator will go out.

#### ◆ Defrost by Time

1. Press "W.T./Time Defrost " twice, LED will display "dEF2"
2. Turn " " to set the cooking duration. The maximum duration is 95 minutes.
3. Press "Start/+30Sec./Confirm " to start defrosting. " " and " " indicators will flash.

#### **TIPS:**

If the food weight less than 200g, please place the food at the edge of the glass turntable but not the center to be defrosted.


#### ◆ Speedy Cooking

1. In stand by state, press "Start/+30Sec./Confirm " to cook with 100% power level for 30 seconds. Each press on the same key can increase 30 seconds. The maximum cooking time is 95 minutes.
2. During microwave, grill, convection and combination states, press "Start/+30Sec./Confirm " to cook with 100% power level for 30 seconds. Each press on the same key can increase 30 seconds.

#### **NOTE:**

this function cannot work under defrost, auto menu and multi-stage cooking.

#### ◆ Speedy Microwave Cooking


In stand by state, turn " " left to choose cooking time directly then press " Start/+30Sec./Confirm " key to cook with 100% microwave power. This program can be set as one of multi-stage.


#### ◆ Inquiring Function

You are able to check power level or settings during programs running.

- In cooking state, press "Microwave", "Grill", "Micro./Conv.", or "Convection", the current power will be displayed for 2-3 seconds.
- During cooking state, press "Clock/Pre-set" to check the current time. It will be displayed for 2-3 seconds.

#### ◆ Child Lock

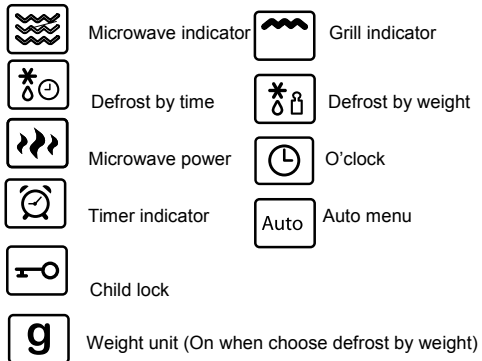
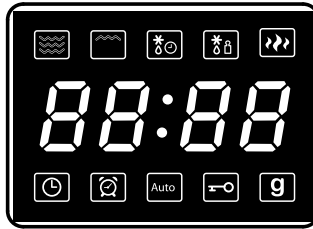
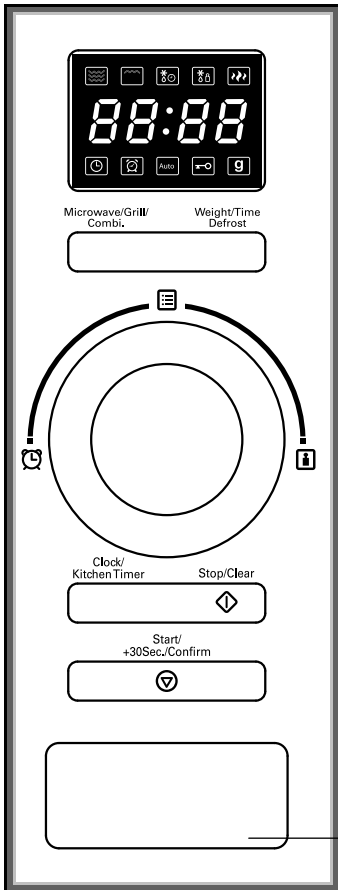
In waiting state, press "Stop/Clear" for 3 seconds, there will be a long "beep" denoting entering into the children-lock state and " " indicator will light. LED will display current time or 0:00.

Press " Stop/Clear " for 3 seconds again to quit from Lock status, a long "beep" denoting that the lock is released, and " " indicator will disappear.

#### ◆ Specification

1. The buzzer will sound once when turning the knob at the beginning.
2. " Start/+30Sec./Confirm " must be pressed to continue cooking if the door is opened during cooking;
3. If "Start/+30Sec./Confirm " is not pressed in 5 minutes after the cooking program set, the setting will be cancelled and O'clock time will be displayed.
4. The buzzer sounds once by efficient press, inefficient press will be no response.
5. The buzzer will sound five times to remind you when cooking finished.

## Operation Instruction for BMW625IGX



### ◆ O' Clock Setting

When the microwave oven is electrified, the LED will display "0:00", buzzer will ring once.



1. Press "Clock/Kitchen Timer" once to select O'clock setting, the hour digit will flash.
2. Turn " " to adjust the hour figures, the input time should be within 0--23.
3. Press "Clock/Kitchen Timer ", the minute figures will flash.
4. Turn " " to adjust the minute figures, the input time should be within 0--59.
5. Press "Clock/Kitchen Timer " to finish clock setting. ":" will flash.

#### NOTE:

- If the clock is not set, it would not function when powered.
- During the setting, if you press "Stop/Clear ", the oven will go back to previous status automatically.



◆ **Microwave Cooking**

1. Press the "Microwave/Grill/Combi." once, "P100" will display.
2. Press "Microwave/Grill/Combi" for times or turn "  " to select the microwave power from 100% to 10%. "P100", "P80", "P50", "P30", "P10" will display in sequence. For example if you want cook in 50% power than press "Microwave" 3 times until P50 displayed.(See below table 1 for reference only) Press " Start/+30Sec./Confirm " to confirm choice.
3. Turn "  " to adjust the cooking duration. (The range should be 0:05- 95:00, when turn the knob, increasing of each turning is not even, see below table 2 for reference only)
4. Press "Start/+30Sec./Confirm" to start cooking.

**NOTE:**



Table 1

Display	Microwave Power	Grill Power (1000W)
<b>P100</b>	100%	
<b>P80</b>	80%	
<b>P50</b>	50%	
<b>P30</b>	30%	
<b>P10</b>	10%	
<b>G</b>	0%	100%
<b>C-1</b>	55%	45%
<b>C-2</b>	36%	64%

Table 2



Setting duration range	Time increasing by each turn
<b>0 -1 min</b>	5 seconds
<b>1 – 5 min</b>	10 seconds
<b>5 – 10 min</b>	30 seconds
<b>10 – 30 min</b>	1 minute
<b>30 – 90 min</b>	5 minutes

◆ **Grill or Combi Cooking**

1. Press the "Microwave/Grill/Combi" key once, "P100" will display.
2. Press "Microwave/Grill/Combi" for times or turn "  " to choose power you want. "G", "C-1" and "C-2" will display in sequence. Press "Start/+30Sec./Confirm" to confirm.
3. Turn "  " to adjust the cooking time. (The time setting should be 0:05- 95:00)
4. Press "Start/+30Sec./Confirm" again to start cooking.

**Example:**

If you want to use 55% microwave power and 45% grill power(C-1) to cook for 10 minutes, do as below


1. Press "Microwave/Grill/Combi" once, LED display "P100".
2. Press "Microwave/Grill/Combi" once again or turn "  " to choose combi. 1 mode.
3. Press "Start/+30Sec./Confirm" to confirm, and the screen displays "C-1".
4. Turn "  " to adjust the cooking time until the oven displays "10:00".
5. Press " Start/+30Sec./Confirm " to start cooking .

**NOTE:**

When half of the grill time up, buzzer sound twice to remind you turn the food over. In order to have a better effect of grilling food, turn it over, close the door, and press "Start/+30Sec./Confirm" to continue cooking.

### Quick Start



You are able to only set cooking duration and use "Quick start" to cook food in 100% power by simple operation.

- If in stand by mode, press "Start/+30Sec./Confirm" or turn " " left to start cooking with 100% power, then press "Start/+30Sec./Confirm" to start cooking.

#### **TIPS:**

If you are in microwave cooking or time defrosts function already and want to increase cooking duration, press "Start/+30Sec./Confirm" to add cooking time, each additional pressing can increase 30 seconds up to 95 min.




### ◆ Auto Menu

1. Turn " " right, "A-1" to "A-8" will display in sequence.
2. Stop turning at wanted menu and press "Start/+30Sec./Confirm" to confirm.
3. Turn " " to choose the weight of menu, and "g" indicator will light. (See below table for reference)
4. Press "Start/+30Sec./Confirm" to start cooking.




*Auto menu table for reference only*

Menu	Weight(gram)	Display	Menu	Weight(gram)	Display
<b>A1</b> Reheat	200	200	<b>A5</b> Pasta	50g(with 450ml water)	50
	400	400		100g(with 800ml water)	100
	600	600	<b>A6</b> Potato		200
<b>A2</b> Vegetable	200	200		400	400
	300	300		600	600
	400	400	<b>A7</b> Pizza	200	200
<b>A3</b> Fish	250	250		400	400
	350	350		<b>A8</b> Soup	200ml
	450	450	400ml		400
250	250				
<b>A4</b> Pork	350	350			
	450	450			

### ◆ Defrost by W.T.

1. Press "Weight./Time Defrost" once, LED will display "dEF1",.
2. Turn " " to select the weight of food, "g" will lights. The weight should be 100-2000g.
3. Press "Start/+30Sec./Confirm" to start defrosting, " " and " " indicators will flash and "g" indicator will go out.

### ◆ Defrost by Time

1. Press " Weight./Time Defrost " twice, LED will display "dEF2"
2. Turn " " to set the cooking duration. The maximum duration is 95 minutes.
3. Press "Start/+30Sec./Confirm" key to start defrosting. " " and " " indicators will flash .




**NOTE:** The defrost power is fixed at P30 in this function.

### ◆ Multi-Stage Cooking

- 2 stages can be maximally set. The buzzer will ring once after each stage and the next stage will begin.
- Auto menu and preheating cannot be set as one of the multi-stage.
- Defrosting must be put as the first stage.


**Example:** if you want to defrost the food for 5 minutes, then to cook with 80% microwave power for 7 minutes.

Do as following:

1. Press "Weight/Time Defrost " twice, the screen will display "dEF2";
2. Turn "  " to adjust the defrost time as 5 minutes;
3. Press " Microwave/Grill/Combi." Once, LED display P100
4. Press " Microwave/Grill/Combi." for times or turn "  " till "P80" display;
5. Press "Start/+30Sec./Confirm" to confirm;
6. Turn "  " to adjust the cooking duration as 7 minutes;
7. Press "Start/+30Sec./Confirm" to start multi-stage cooking.


### ◆ Kitchen Timer


You are able to use this function as minute minder to give reminder when set duration time up.

1. Press " Clock/Kitchen Timer" twice, LED display 00:00
2. Turn "  " to set a desired duration(Maximum duration is 95 minutes)
3. Press "Start/+30Sec./Confirm" to confirm setting.
4. When set duration time up, clock indication will go out and buzzer ring 5 times.

**NOTE:** this function is differ from 24 hours O'Clock system but a minute minder only.

### ◆ Child Lock

In waiting state, press "**Stop/Clear**" for 3 seconds, there will be a long "beep" denoting entering into the children-lock state and "  " indicator will light. LED will display current time or 0:00.

Press " **Stop/Clear** " for 3 seconds again to quit from Lock status, a long "beep" denoting that the lock is released, and "  " indicator will disappear.

### ◆ Inquiring Function

You are able to check power level or settings during programs running.

- In cooking state, press "Microwave/Grill/Combi", the current power will be displayed for 3 seconds.
- During cooking state, press "Clock/Pre-set" to check the current time. It will be displayed for 3 seconds.

## Trouble Shooting

Trouble	Possible causes	To do
Microwave oven interfering with TV	Radio and TV reception may be interfered when microwave oven running. It is similar with interfere of small appliances and normal.	It is normal
Dim oven light	In lower power microwave cooking, oven light may become dim.	It is normal
Steam accumulating on door, hot air out of vent	In cooking, steam may come out from food and most will go out from vent but some of them may accumulate on cool place like door.	It is normal
Can not start	Power cord not plug in tighten	Unplug, then plug again after 10s, make sure connection is secure.
	Fuse blowing or circuit breaker works	Call service center
	Trouble with power supply	Check to ensure proper power supplied
Oven does not heat food up	Door not closed well.	Close door well
	Magnetron out of work	Call service center
Glass turntable noisy when microwave oven running	Dirty roller	Clean dirty part.

## Maintenance and Cleaning

### WARNING!

- ◆ Before cleaning your oven, or performing maintenance, disconnect it from the power supply.
- ◆ Do not use steam cleaners.
- ◆ Do not line the oven bottom with aluminium foil, as the consequent accumulation of heat could compromise the cooking and even damage the enamel.
- ◆ To protect against the risk of electrical shock, do not immerse the unit, cord or plug in water or other liquid or sprinkle water to clean the appliance!
- ◆ Do not clean the appliance when it is still hot! The inside and external surface of the oven should preferably be cleaned with a damp cloth when it has cooled down.
- ◆ Wash all accessories in hot sudsy water or in a dishwasher, wipe dry with a paper or cloth towel.
- ◆ If you use your oven for an extended period of time, condensation may form. Dry it using a soft cloth.

### Stainless steel

- ◆ All grades of stainless steel can stain, discolour or become greasy. You must clean these areas regularly by following the procedures below, if you want your appliance to look its best, perform well and have a long life.
- ◆ Care must be taken when wiping exposed stainless steel edges, they can be sharp!
- ◆ The front frame around the oven can be cleaned with stainless steel cleaners if it becomes soiled or discoloured.
- ◆ The stainless steel should only be cleaned with warm water and a mild detergent as normal cleaning.
- ◆ DO NOT use abrasive cleaners or harsh solvents.

**NOTE: Make sure you follow the polish or brushing lines in the stainless steel**

### Glass

- ◆ Glass surfaces on doors and control panels are best cleaned immediately after soiling.
- ◆ A damp cloth may help remove baked on food deposits.
- ◆ Oven cleaners can be used to remove stubborn marks and stains.
- ◆ The glass door on this appliance is made from a tough, durable material that withstands heating and cooling without breaking.
- ◆ However, it must be remembered that it is GLASS, it may break. Treat it accordingly!
- ◆ Do not use harsh abrasive cleaners or sharp metal scrapers to clean the oven door since they can scratch the surface, which may result in shattering of the glass.

### Oven

- ◆ Always keep your appliance clean. Ensure fats and oils do not accumulate around elements, burners or fans.
- ◆ Always keep the oven dish, baking trays and grill dish inserts clean, as any fat deposits may catch fire.
- ◆ Always wrap your meats in foil or an oven roasting bag to minimise cleaning. Any polyunsaturated fats can leave a varnish-like residue which is very difficult to remove.

### Grill

- ◆ Always keep the grill dish and grill insert clean, as any fat deposits may catch fire.

## WARRANTY

- 1.1 In this warranty:
  - 1.1.1 Australian Consumer Law means the law as set out in Schedule 2 of the Competition and Consumer Act 2010;
  - 1.1.2 **Company** means GSM Retail Australia Pty Ltd ABN 53 007 682 475 of 142-144 Fullarton Road, Rose Park SA 5067. Telephone 1300 373 199. Email [admin@gsmretailaust.com.au](mailto:admin@gsmretailaust.com.au);
  - 1.1.3 **Consumer** means a "consumer" as that term is defined in Section 3 of the Australian Consumer Law as the original purchaser of a Bellini product;
  - 1.1.4 **Consumer Guarantees** means the guarantees under the Australian Consumer Law;
  - 1.1.5 **You** means the Consumer.
- 1.2 Nothing in this warranty affects any person's rights under the Australian Consumer Law. The benefits to any Consumer under this warranty are in addition to the rights and remedies available under any Consumer Guarantees.
- 1.3 Subject to the other clauses of this warranty, the Company warrants to the Consumer that the Bellini product will be free of manufacturing defects and will perform to the Company's specifications.
- 1.4 The benefit of this warranty extends only to the Consumer as original purchaser of a Bellini product which is installed in a domestic household area.

*\*The in Home warranty does not apply to Commercial and or industrial usage. \*Please See 1.7.7 for additional information*
- 1.5 This warranty commences on the date of purchase of the Bellini product by the Consumer and continues for the benefit only of the Consumer until the expiry of three (3) year (**Warranty Period**).
- 1.6 If within the Warranty Period a manufacturing defect is discovered in the Bellini product or it fails to perform to the Company's specifications as a result of some defect in materials, components or workmanship (Defect) then the Company will, at its option, repair the Bellini product or supply a replacement Bellini product free of charge. A replacement Bellini product may differ from the original product purchased by the Consumer.
- 1.7 This warranty will not apply to any Bellini product:
  - 1.7.1 Installed by any person other than a qualified tradesperson; or
  - 1.7.2 Subjected to misuse, neglect, negligence or accidental damage; or
  - 1.7.3 Operated in any way contrary to any operating or maintenance instructions; or
  - 1.7.4 Improperly handled, installed or maintained; or
  - 1.7.5 Altered or modified prior to or after installation; or
  - 1.7.6 Damaged directly or indirectly by power surges, electrical storm damage or connection to incorrect power supply
  - 1.7.7 Industrial and or Commercial usage is inclusive of staff areas in office/ shop environments, hotel/ motel or other similar accommodation or rental type properties including Bed and Breakfast establishments.

The Australian Consumer Law requires the inclusion of the following statement with this warranty:

***Our goods come with guaranteed that cannot be excluded under the Australian Consumer Law. You are entitled to a replacement or refund for a major failure and for compensation for any other reasonably foreseeable loss or damage. You are also entitled to have the goods repaired or replaced if the goods fail to be of acceptable quality and the failure does not amount to a major failure.***

**IN ORDER TO MAKE A CLAIM UNDER THIS WARRANTY THE CONSUMER  
MUST CALL 1300 373 199 (AUSTRALIA) OR 0508 123 108  
(NEW ZEALAND) TO CONNECT TO THE NEAREST AUTHORISED CENTRE**

- 1.8 You must provide proof of your purchase of the Bellini product and the date of purchase in order to obtain the benefit of this warranty.
- 1.9 If you live outside the service area of the Company or one of its service agents, this warranty does not cover the cost of transport of the Bellini product for service nor the service agent's traveling costs to and from your home.
- 1.10 If you are required to transport the Bellini product to the Company or its service agent, you must ensure it is safely disconnected by a qualified tradesman and securely packed and insured. The Company does not accept any responsibility for loss or damage of the Bellini product prior to it being received by the Company or its service agent.
- 1.11 You will be responsible for all costs of returning a Bellini product to the Company and for redelivery of the Bellini product by the Company (whether it is the original or a repaired and/or a replacement Bellini product) and for any other expenses you incur in claiming under this warranty.
- 1.12 The Company or its service agent will examine any Bellini product and if the Company determines that it is defective through no fault of the Owner and is otherwise undamaged, the Company will repair or replace the Bellini product in accordance with this warranty.

#### **DO NOT SEND IN THIS WARRANTY**

Fill out the following details and file with your purchase invoice.

#### **RETAIN & FILE WITH YOUR RECEIPT**

Your Purchase Receipt/Invoice is proof of date of purchase. If you are unable to establish the date of purchase, or if the fault is not covered by this warranty, or if the product is found to be in working order, you will be required to bear all service call charges.

GSM Retail Australia Pty Ltd reserves the right to discontinue items, modify designs and change specifications without incurring obligation.

Whilst every effort is made to ensure that descriptions, specifications and other information in this publication is correct, no warranty is given in respect thereof and the company shall not be liable for any errors therein.

Purchased from:

Co. Name:

Address:

Date of Purchase:

Serial number:

NOTE: Consistent with our continuing product development policy, improvements may have been made which render the contents of this packaging slightly different to that shown.

**FOR WARRANTY SERVICE CALL 1300 373 199 (AUSTRALIA)  
OR 0508 123 108 (NEW ZEALAND) TO CONNECT YOU TO THE NEAREST  
AUTHORISED SERVICE CENTRE**

