

# BRU53X

## Undercupboard Integrated Rangehoods

**BLANCO**



### Model Code

BRU53X – 53cm, stainless steel

### Description

Undercupboard Rangehood with High Powered Motor

### Optional

ACK62260 (pack of 2)

### Warranty

BLANCOCare™ 2 years parts & labour

### Features

3 Speed

Timer

Clean Air function

Filter saturation alarm

Stainless steel aesthetic

Halogen Lights

650m<sup>3</sup>/hr Air Movement

Aluminium Grease Filter

### Benefits

Offers a variety of fan speeds to suit the type of cooking

Rangehood will continue to function on the chosen speed for 15 minutes. After which the rangehood will automatically switch off.

Function can be activated once the rangehood has been turned off. Rangehood will 'activate' for 10 minutes every hour to help reduce lingering cooking odours (after cooking is complete).

Display will indicate when aluminium filter and carbon filter need to be replaced.

Provides a modern stainless steel aesthetic – adding appeal to your kitchen.

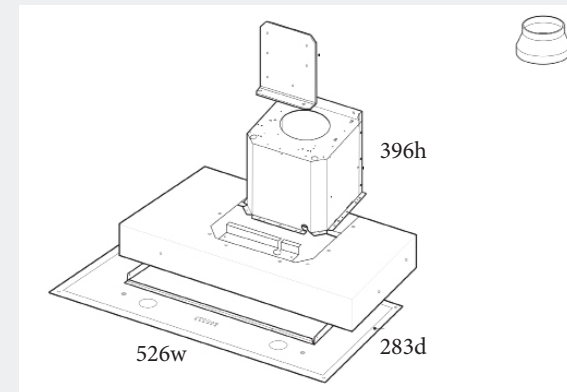
Brighter and clearer cooking space

Cleaner air and reduction of condensation, protecting walls and cabinets.

- Easy to clean - can be simply hand washed or put into the dishwasher.
- Lug design make sit easy to remove filters.

Flexibility of installation

## Specifications



|                         |                                  |
|-------------------------|----------------------------------|
| Method of installation: | Can be ducted or recirculated    |
| Dimensions:             | BRU53X - 396H x 526W x 283D (mm) |
| Method of installation: | Built into overhead cupboards    |
| Power Requirement:      | 240V – 10 Amps                   |
| Colour :                | Stainless Steel                  |
| Airflow:                | 650m <sup>3</sup> /hr            |
| Ducting:                | Top only                         |
| Duct Spigot:            | 150                              |
| Noise level:            | 64dB                             |
| Filters:                | 2 x Grease Filters               |
| Recirculating:          | Through cupboard                 |
| Minimum Height Above    |                                  |
| Cooktop:                | 650 mm                           |

### Note:

Measurements are within +/-2/3mm factory tolerance. It is advisable to check dimensions of physical product when measuring for installation and before doing any cut outs.

Due to continual product development the information provided is not final and may be subject to change.