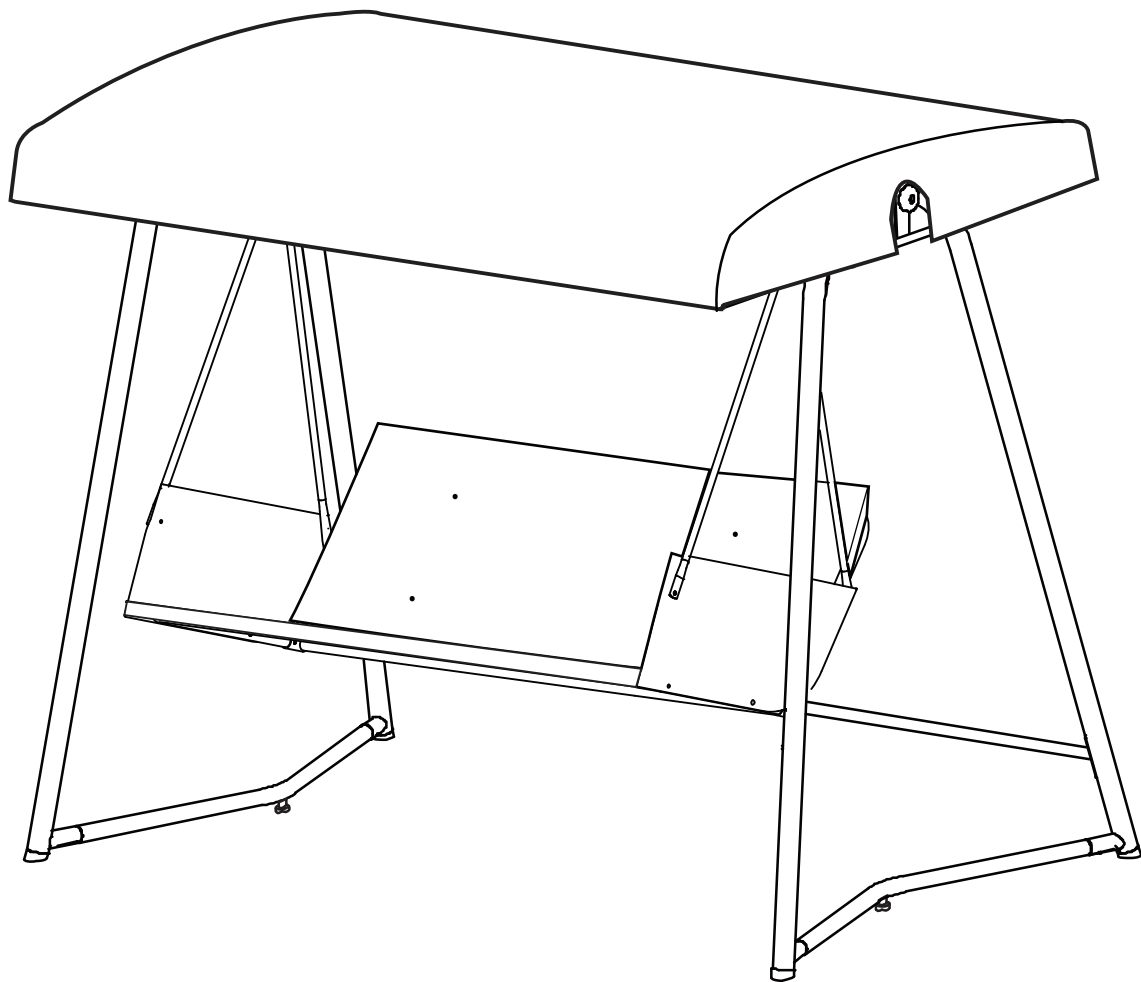


# **SILVERLEAVES 3-SEATER RESIN WICKER SWING ASSEMBLY INSTRUCTION**



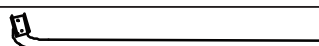
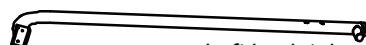
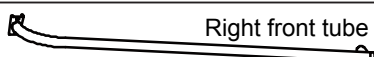


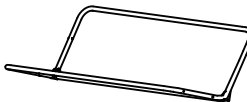


**Item No. 3191962**






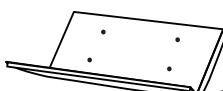


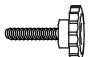
## **READ & SAVE BELOW INSTRUCTIONS BEFORE ASSEMBLY**

- 1. PLEASE SEPARATE AND IDENTIFY ALL PARTS, MAKING SURE THAT YOU HAVE ALL OF THE PARTS LISTED.**
- 2. TO AVOID ANY SCRATCHES DURING ASSEMBLY, ASSEMBLE ON A SOFT MAT OR SIMILAR.**
- 3. ASSEMBLE STEP BY STEP FOLLOWING THE INSTRUCTIONS.**
- 4. WASHERS MUST BE USED.**
- 5. DURING ASSEMBLY DO NOT OVER FASTEN SCREWS & NUTS.**
- 6. DO NOT COMPLETELY TIGHTEN EACH SCREW AND NUT UNTIL THEY ARE ALL FIXED IN PLACE.**









### PARTS LIST

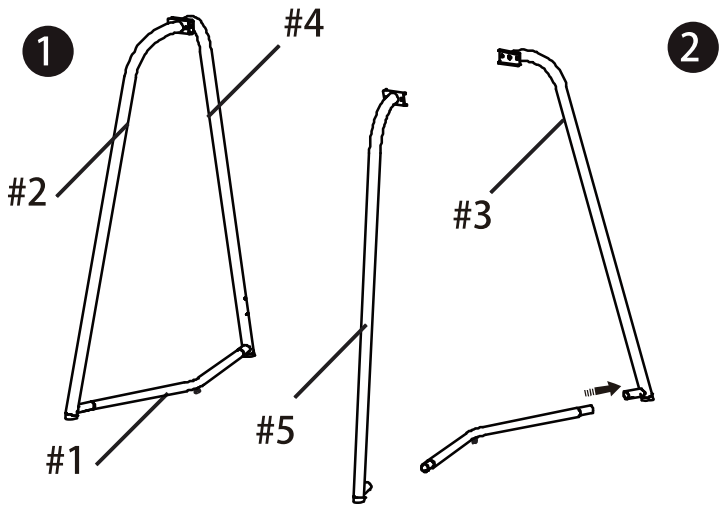
CODE	PARTS	QTY.
#1	 Foot tube	2PCS
#2	 Left front tube	1PC
#3	 Right back tube	1PC
#4	 Left back tube	1PC
#5	 Right front tube	1PC
#6	 Back tube	1PC
#7	 Beam	1PC
#8	 Seat frame	1PC
#9	 Right armrest	1PC
#10	 Left armrest	1PC

### PARTS LIST

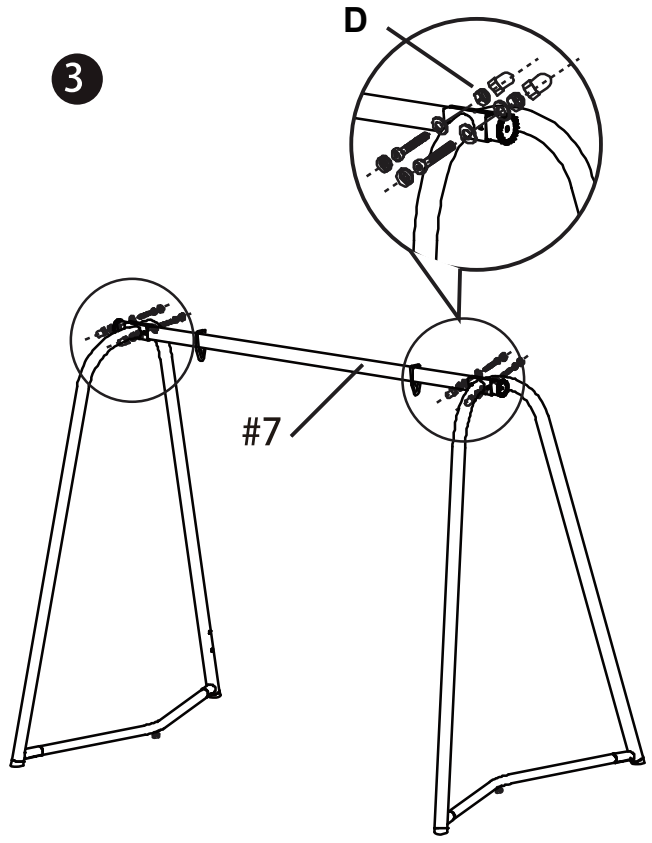
CODE	PARTS	QTY.
#11	 Short pole	2PCS
#12	 Long pole	2PCS
#13	 Spring hanger	2PCS
#14	 Seat cushion	1PC
#15	 Canopy frame	2PCS
#16	 Canopy	1PC
#17	 Rotary knob	2PCS

### HARDWARE LIST

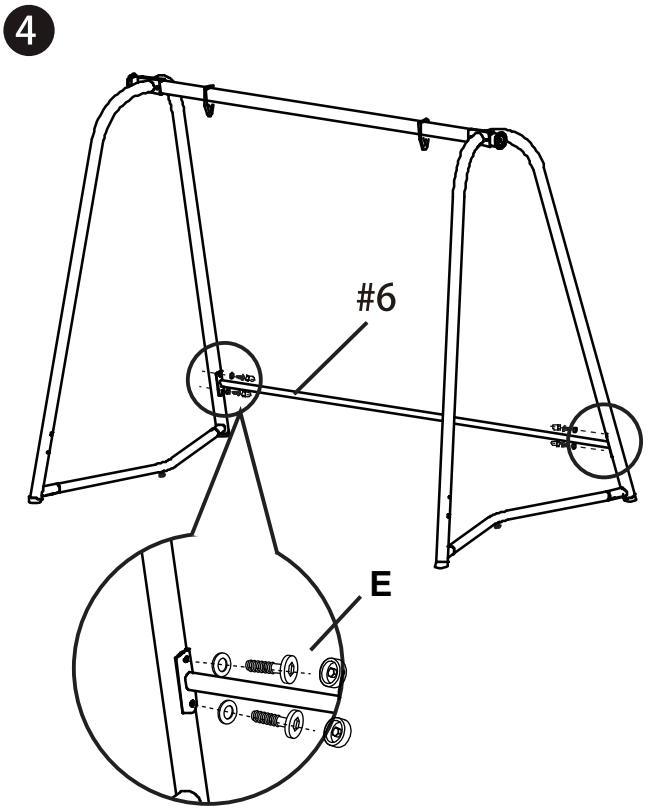
CODE	PARTS	QTY.
A	 M6x70mm Bolt&washer&cap	2PCS
B	 M6x67mm Bolt&washer&cap	4PCS
C	 M6x20mm Bolt&washer&cap	2PCS
D	 M8x47mm Bolt&washer&cap	4PCS
E	 M8x20mm Bolt&washer&cap	4PCS
F	 Allen key	1PC
G	 Allen key	1PC
H	 Spanner	1PC



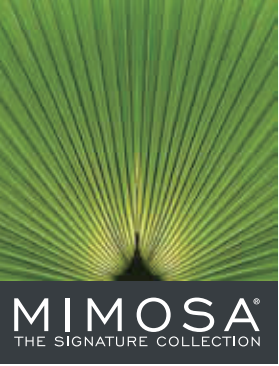
Attach two left tubes(#2&4) to the left foot tube, same steps with the right side.



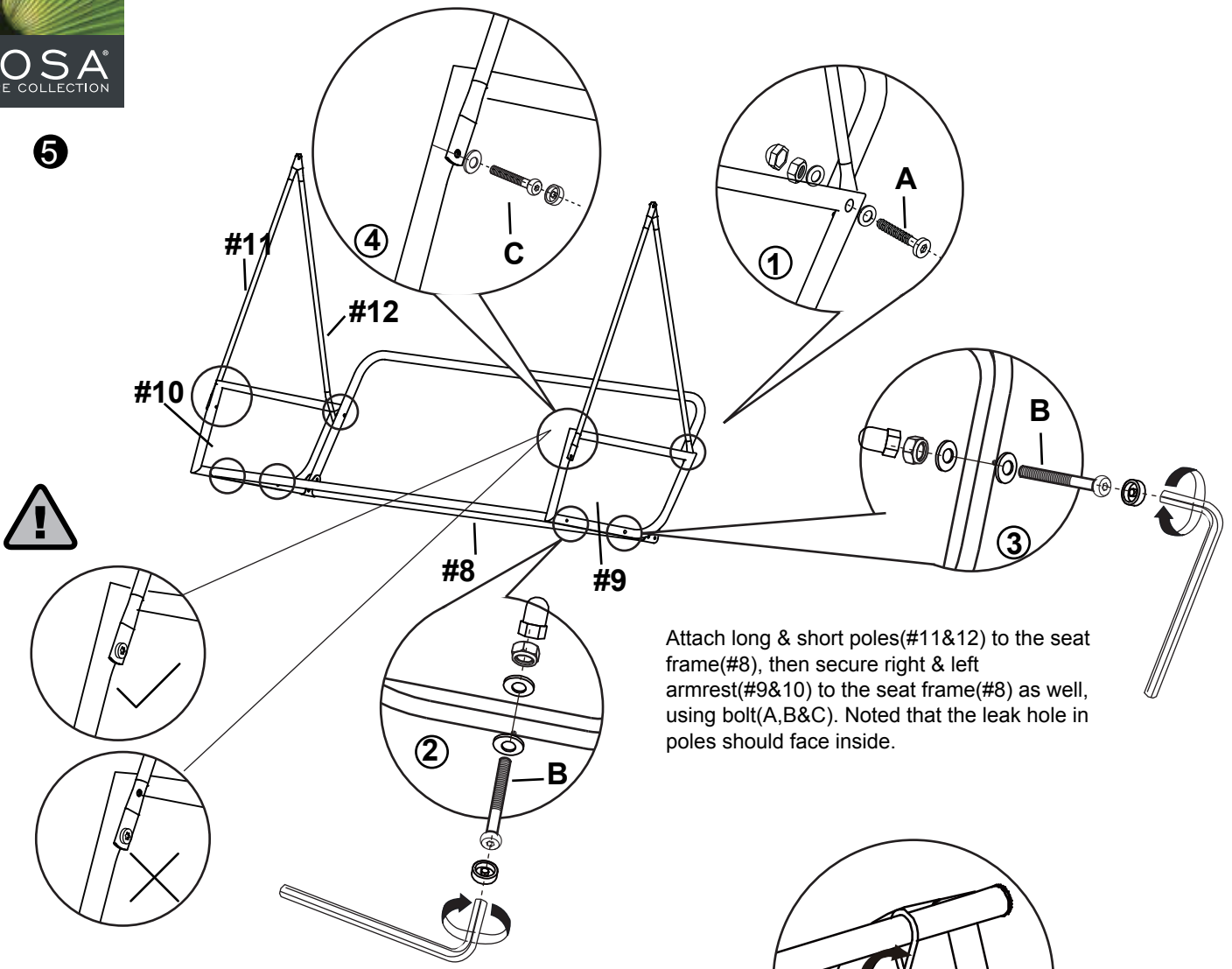
Using bolt(D) to attach the top beam(#7) to the frame.



Attach the back tube(#6) to the frame, using bolt(E).

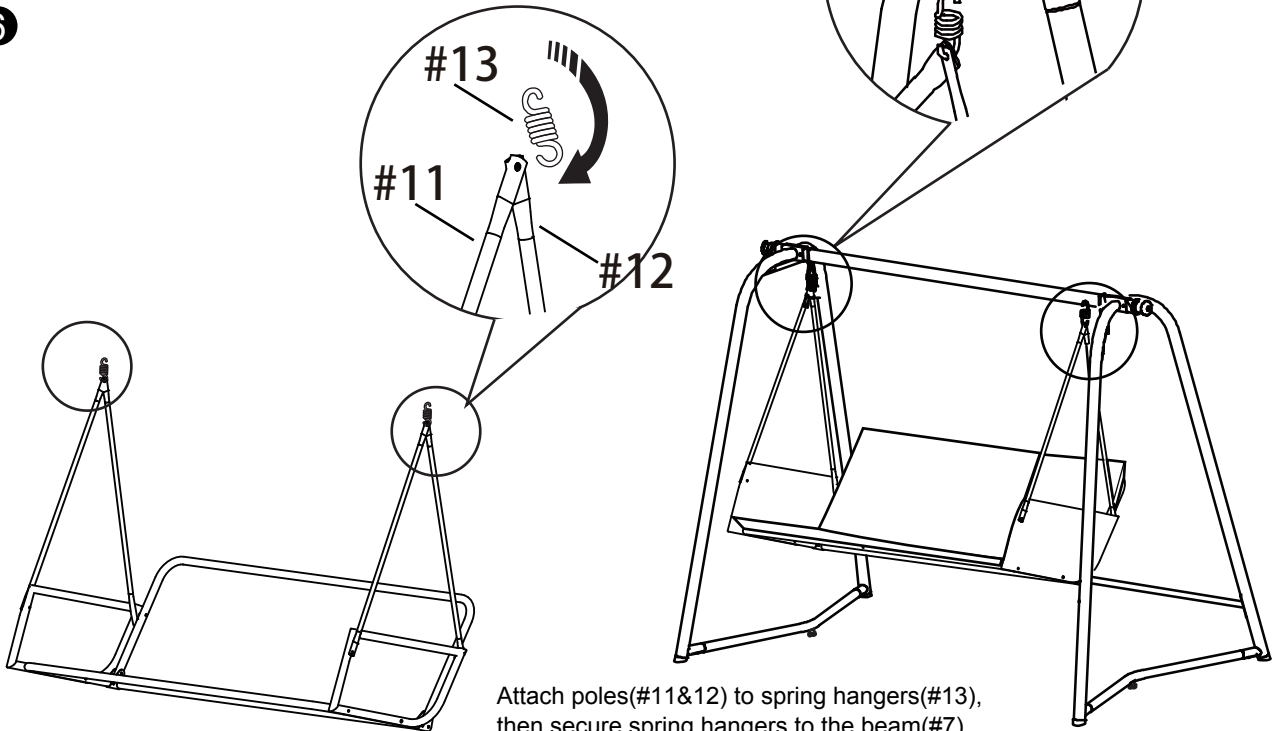


5



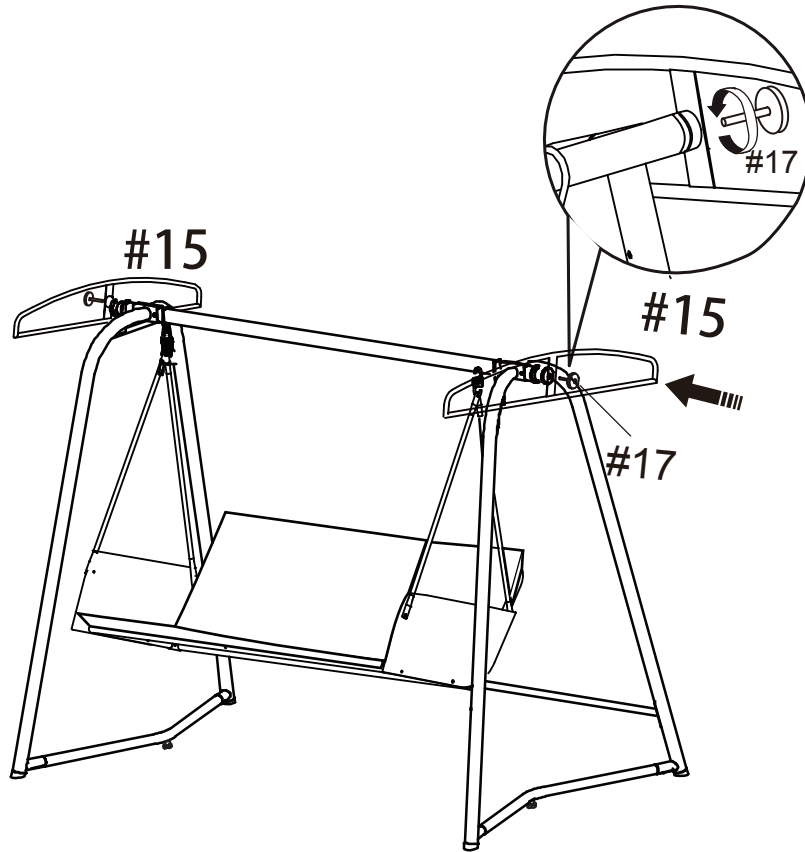
Attach long & short poles(#11&12) to the seat frame(#8), then secure right & left armrest(#9&10) to the seat frame(#8) as well, using bolt(A,B&C). Noted that the leak hole in poles should face inside.

6



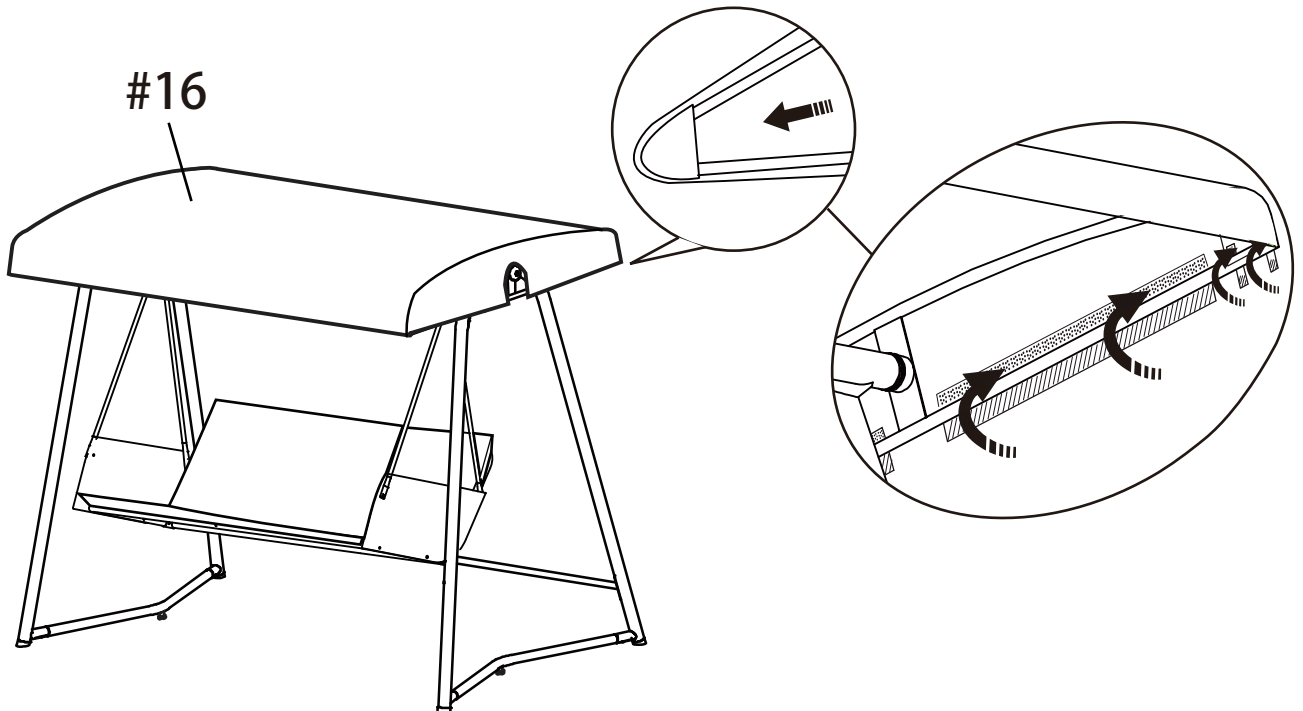
Attach poles(#11&12) to spring hangers(#13), then secure spring hangers to the beam(#7) to combine the two frame part.

7



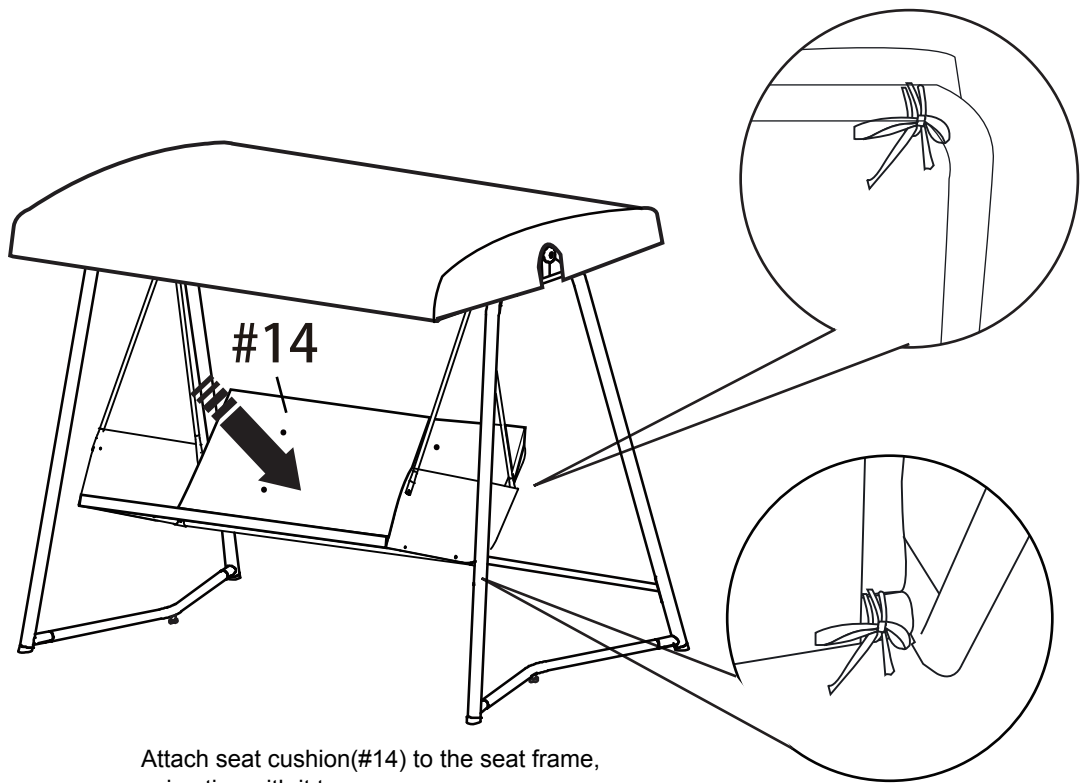
Attach canopy frame(#15) to the whole bracket, using bolt(#17).

8



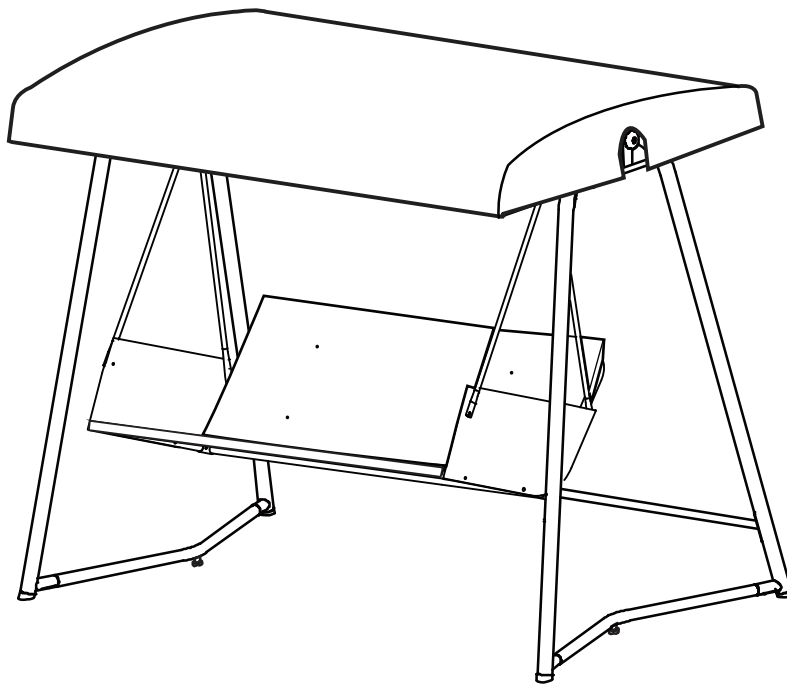
Attach the canopy(#16) to the canopy frame, edges should be curled in to fix the canopy.

9

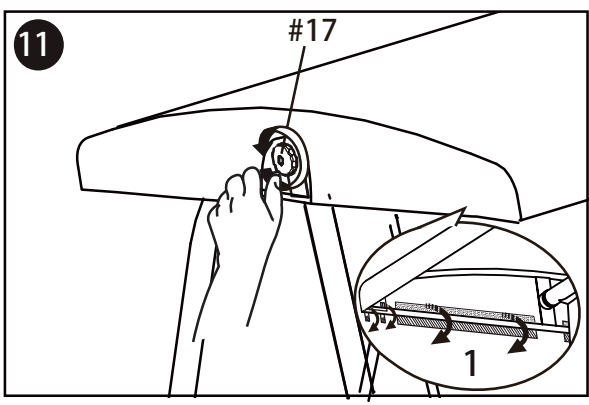
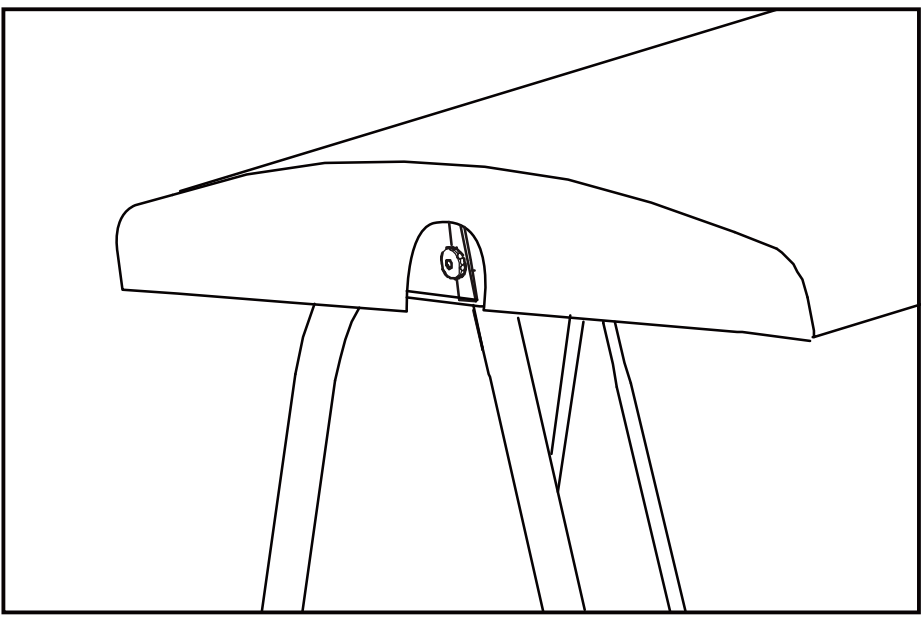


Attach seat cushion(#14) to the seat frame, using ties with it to secure.

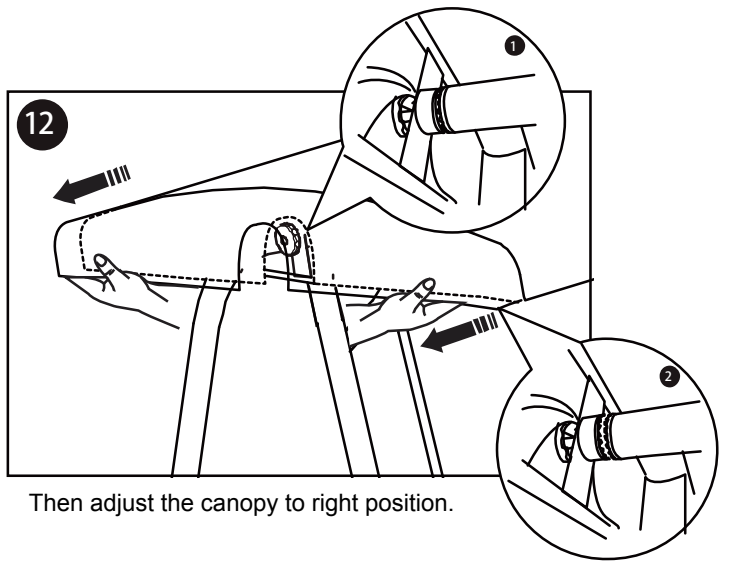
10



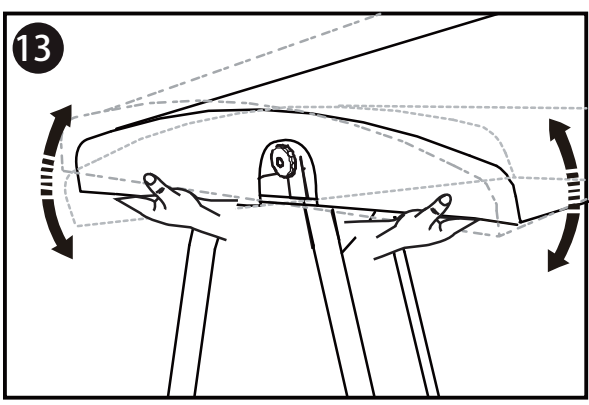
The main frame is now assembled at this stage. To improve the assembly of the canopy follow remaining steps below.



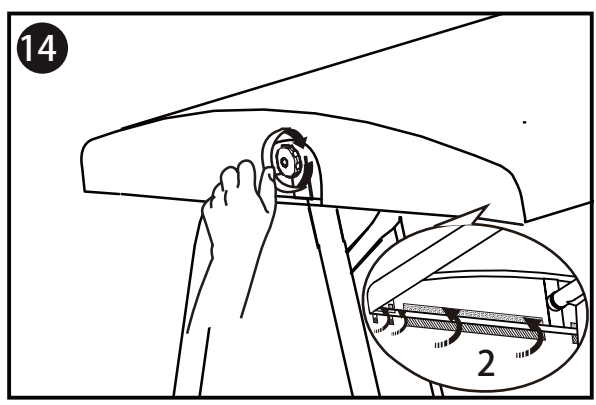
For left side of canopy: spin the rotary knob(#17) to loose canopy.



Then adjust the canopy to right position.



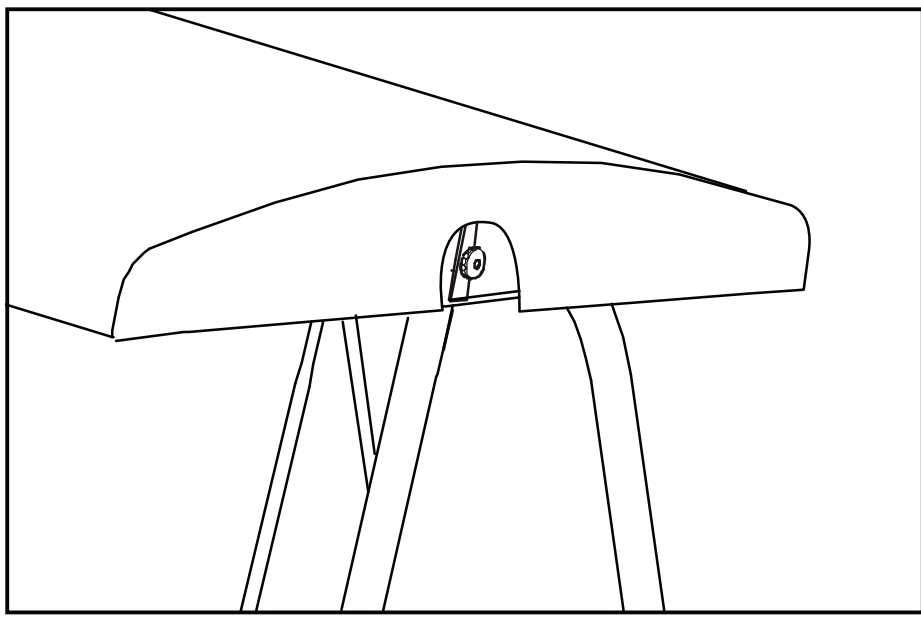
Pull canopy to the right angle as needed.



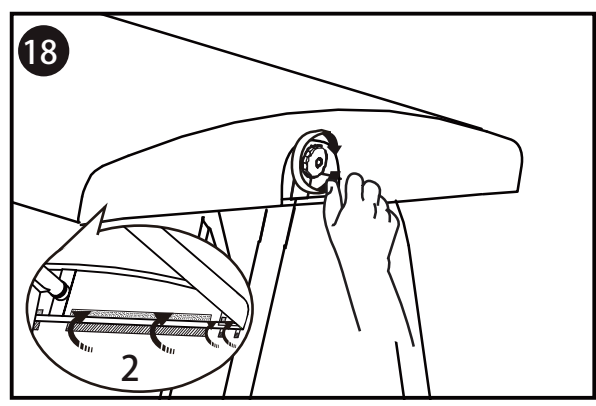
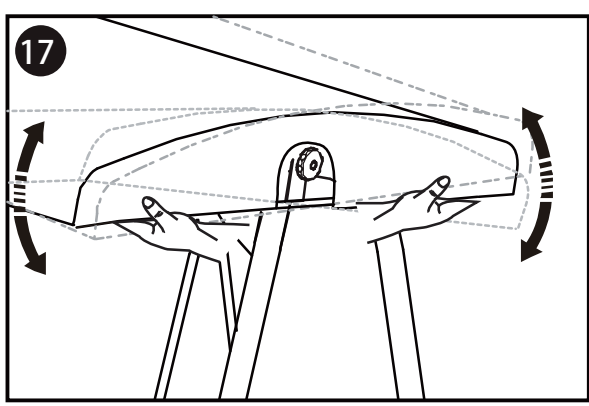
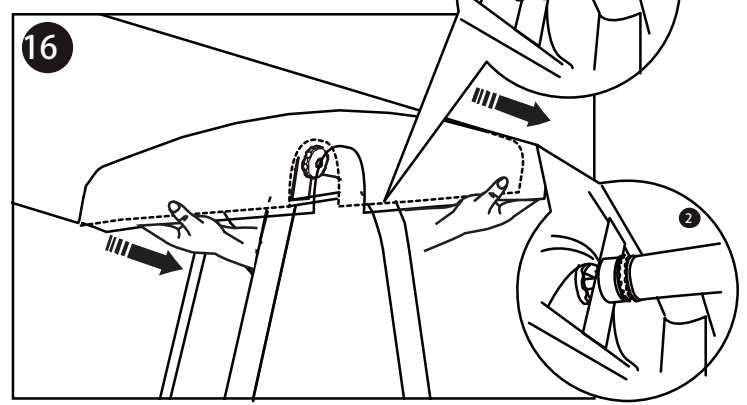
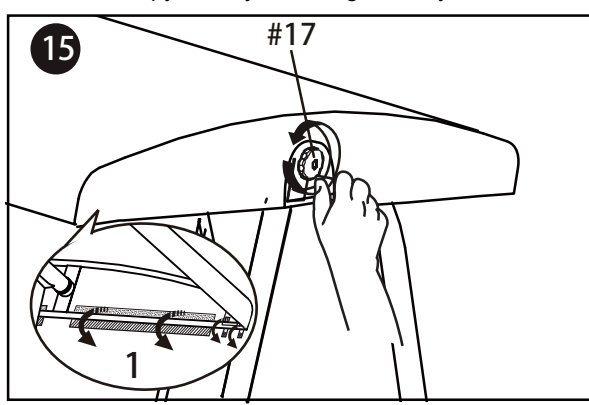
Secure the rotary knob to fix the canopy.



**MIMOSA**  
THE SIGNATURE COLLECTION



For right side, follow same four steps below as doing with left side to secure canopy. Now your swing is ready for use.



**CARE AND CLEANING:**

Not For Commercial Use

1. TO CLEAN, WIPE WITH DAMP CLOTH. DO NOT USE BLEACH, ACID SOLVENTS OR ABRASIVE CLEANERS ON RESIN WICKER OR FRAME PARTS.
2. DURING VARYING WEATHER CONDITIONS AND WINTER PERIOD, WE STRONGLY RECOMMEND THAT THE SWING BE STORED IN A DRY AREA WITH A SUITABLE COVER. BEFORE STORAGE, PLEASE INSURE THE SWING IS CLEAN AND DRY.
3. IN THE EVENT OF BARE METAL SHOWING DUE TO SCRATCHES, IT IS RECOMMENDED TO TREAT WITH A RUST REPELLING PAINT OR SIMILAR.
4. PERIODICALLY CHECK AND ENSURE THAT ALL THE SCREWS ARE COMPLETELY TIGHTENED.
5. A FURNITURE COVER IS STRONGLY RECOMMENDED TO EXTEND THE USAGE LIFE-SPAN.