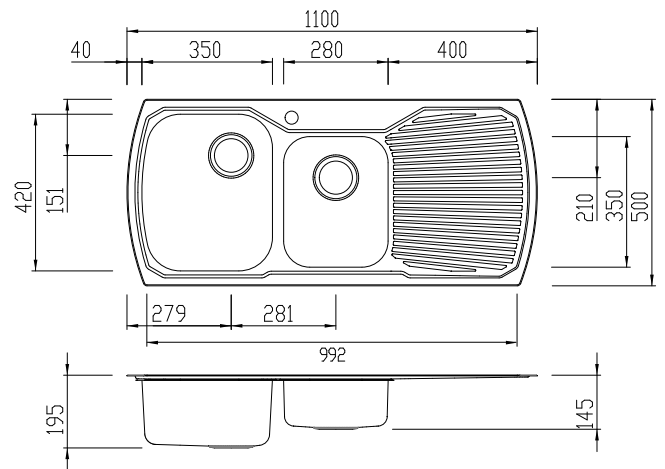


MO711

Monet

Oliveri®

LEFT HAND BOWL SINK



INCLUDED ACCESSORIES



RECOMMENDED TAPWARE



OPTIONAL ACCESSORIES



SPECIFICATIONS

Description

1 & 3/4 bowl inset sink with drainer

Sink Size

1100W x 500H

Main Bowl

350W x 420H x 180D / 24L

3/4 Bowl

280W x 350H x 130D / 11L

Construction

2 piece, bowls & drainer seam welded

Material

304 grade, 18/10 polished stainless steel (0.8mm thick)

Installation

Inset recommended.

Fixings

Adjustable clips and sealing foam supplied

Cut Out Template

oliverisinks.com

Min Cabinet Size

700mm

Tap holes

Available 0 to 3 tap hole (specify when ordering)

Waste fittings

2 x 90mm basket wastes included

Overflow

Not available

Carton Size

1267 x 567 x 237mm

Weight

10.0kg

Warranty

Lifetime manufacturer's warranty (refer to oliverisinks.com)

For more information call **1300 13 7465** or visit **www.oliverisinks.com**

