

Flap Rainwater Diverter



Description: Flap Rainwater Diverter (To suit standard 100x50mm rectangular downpipe)

Product Code: 000524

13 Digit Barcode 9312703000524

APN: 9312703000524

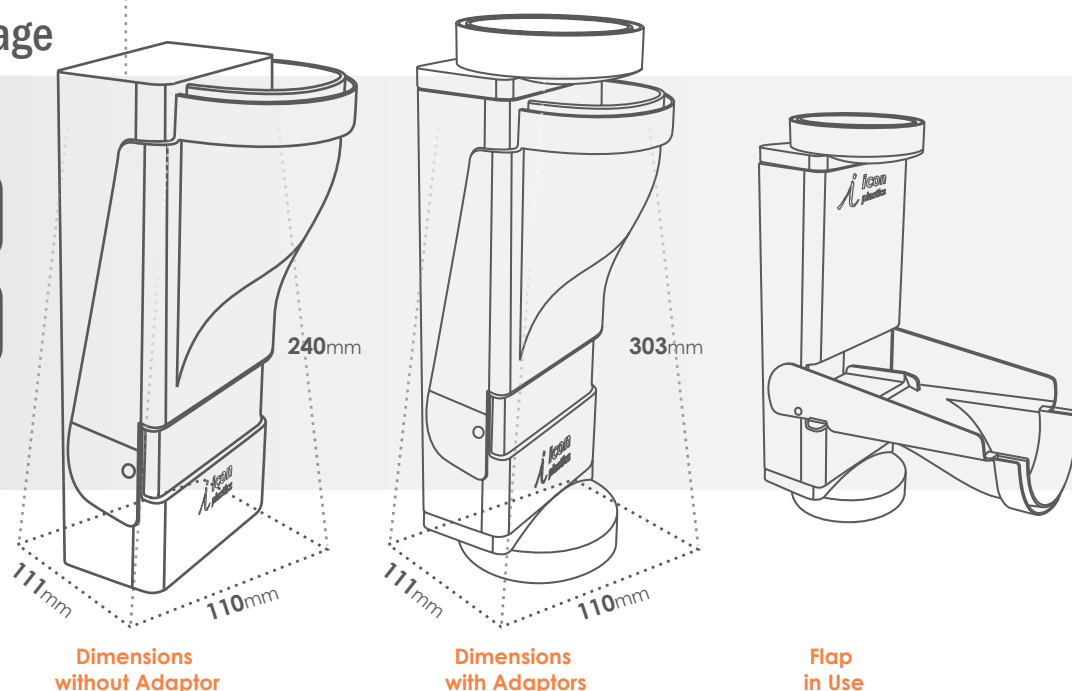
14 Digit Barcode 19312703000521



Included in the package

1 x Flap Diverter
Design Registration No: **333273**

2 x Pipe Adaptors
Part number: 001729



Features

Allows rainwater to be diverted from anywhere on any downpipe,

Each Flap Diverter comes packaged with **two bonus adaptors to suit 90mm diameter pipe.**

The Flap Diverter outlet has a unique 90mm diameter female connection which can be used with any standard 90mm fitting or pipe to suit special end-use water diversion requirements.

Simple installation – Measure, mark and cut the downpipe, then fit the Flap Diverter.

Once installed, to divert rainwater simply fold down the flap. Stop diverting by simply closing the flap and water flows unobstructed to the down pipe outlet.

The unique curved flap not only carries more water, more directly to where you want it but there is no spillage off the flap or over the sides.

Function

The most user-friendly rainwater diversion system available.

No need to worry about catching and moving rainwater. Install the Flap Diverter and divert rainwater to where you want, when you want.

Can be fitted at any height on a downpipe to divert water into a tank or onto a garden bed.

Sturdy RPVC construction means low maintenance and simple cleaning.

RPVC can be painted to match the colour of any downpipe system.

The Flap Diverter is ready for use with 100x50mm rectangular downpipe, and each Flap Diverter comes with two bonus adaptors to fit to 90mm diameter downpipe. If necessary, carefully select the correct adaptors so the Flap Diverter will attach properly to your downpipes. If attaching to downpipe smaller than 90mm diameter the multi-adapter can be cut to size. If fitting to rectangular downpipe different to 100mm x 50mm use one of Icon Plastics' rectangular adaptors.

Installation

Locate the most suitable position for the Flap Diverter.

Remove any clips or ties holding the downpipe in place.

If using the Flap Diverter without adaptors, measure and mark 225mm of downpipe.

If using adaptors, measure and mark measure and mark 285mm.

Cut and remove the required length of downpipe.

If using adaptors, fit them to the ends of the downpipe with the Icon logo facing forward.

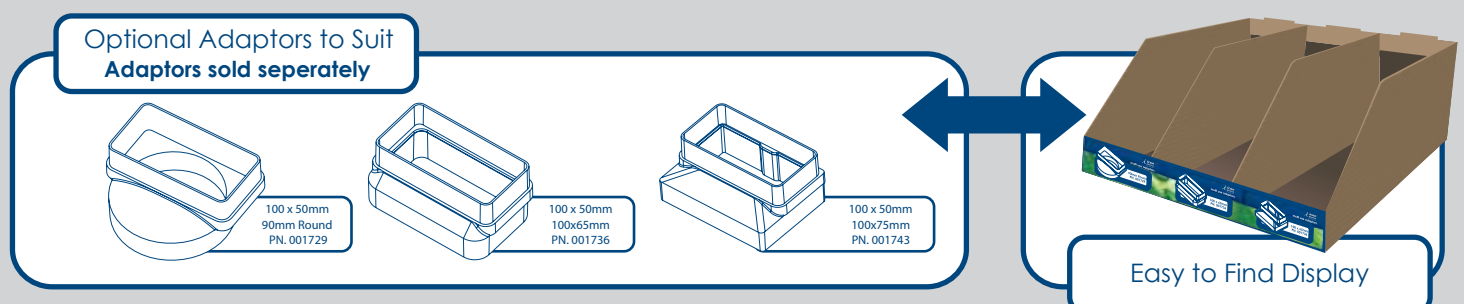
Slide the top of the Flap Diverter over the top section of downpipe or adapter, pushing it up to allow the diverter to fit into the gap, then lower it into position so the groove at the bottom sits on the top edge of the downpipe or adaptor.

When fitting to metal downpipe seal the joints with Silicone plumber's sealant.

Return the downpipe to position and tighten the clips or ties.

Adaptors

If required, Icon Plastics has adaptors available to facilitate installation



Always consider local council requirements and have a licensed plumber complete installation when required.