



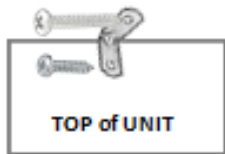
MULTISTORE

ASSEMBLY INSTRUCTION FOR EXC-ST

WARNING: Serious injury or death can be caused by toppling furniture

Help prevent tip-over:

- Anchor this product to a wall or other suitable surface
- Check anchors regularly
- Avoid placing TVs on top unless the TV is also anchored
- Use drawer locks to prevent children climbing



When attaching unit to wall put safety bracket in middle of unit with 5/8 pan screw then 25mm pan head screw into wall. For plasterboard without a stud it is recommended to use a plug with screw (not provided).



2 x TOP GABLES



6 x ADJUSTABLE SHELVES



3 x FIXED SHELF



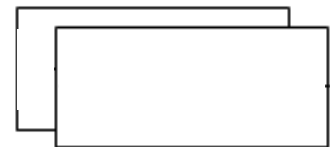
2 x BOTTOM GABLES



1 x BOTTOM KICK



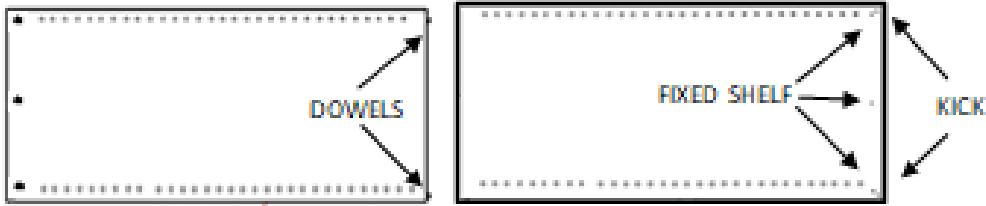
2 x BACKING BOARDS



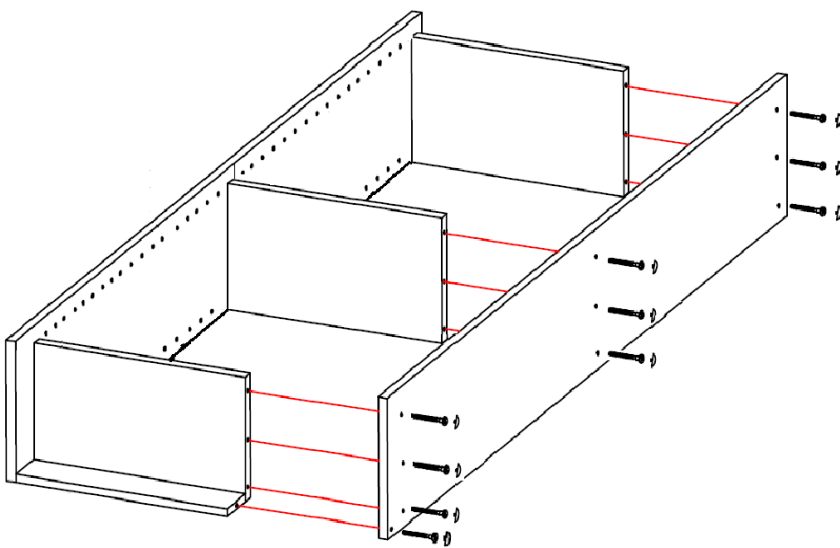
HARDWARE

NO	MODEL	DESCRIPTION	QTY	NO	MODEL	DESCRIPTION	QTY
1		CONFIRMAT SCREWS	20	5		SHELF PINS	24
2		CAPS	20	6		5/8 PAN HEAD SCREWS	1
3		DOWELS	4	7		25mm PAN HEAD SCREWS	1
4		BACKING NAILS	75	8		"L" SAFETY BRACKET	1

MULTISTORE

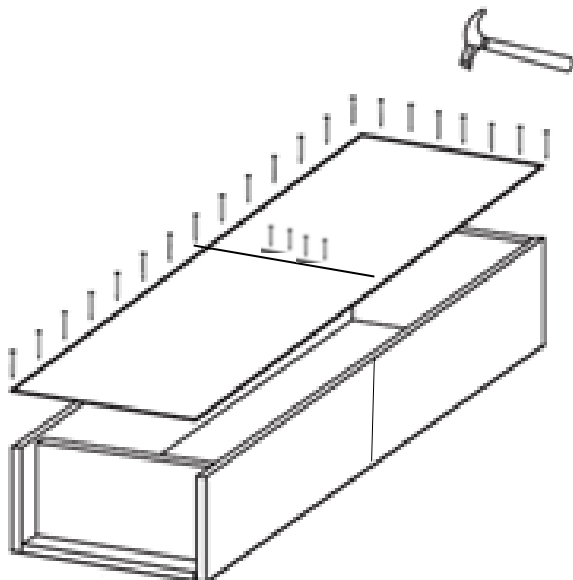


TAKE YOUR GABLES AND LAY THEM OUT FLAT, YOU SHOULD HAVE 2 X TOP & 2 X BOTTOM GABLES. USING A LITTLE WOOD GLUE (NOT SUPPLIED) IN YOUR PRE-DRILLED HOLES, INSERT YOUR WOOD DOWELS INTO 2 OF THE HOLES AND PUSH YOUR TOP INTO YOUR BOTTOM GABLE.



ALIGN YOUR SHELVES AND KICK TO THE LEFT-HAND GABLE, SCREW THEM INTO PLACE ATTACH YOUR RIGHT-HAND GABLE AND DO THE SAME.

TAKE OUT BOTH TOP AND BOTTOM BACKS PROCEED TO NAIL THEM INTO POSITION, YOUR TOP BACK IS SLIGHTLY LONGER THIS NAILS INTO THE BACK OF THE FIXED SHELF MAKING SURE YOU ARE SQUARE AT ALL TIMES.



NEXT STEP:

GRAB THE SHELF PINS AND PUSH THEM INTO THE HOLES PROVIDED THESE WILL SUPPORT YOUR ADJUSTABLE SHELVING YOU MAY PUT THEM WHERE EVER YOU LIKE.

YOU ARE NOW FINISHED.