



Masport Bowden

Installation Instructions



Wood Stacker (MBWS500)



Coffee Table (MBCT500)



Pedestal (MBP500)

Keep instructions for future reference



Australian Home Heating
Association Inc.



Landcare
Australia

TABLE OF CONTENTS

1.0	IMPORTANT INFORMATION	2
2.0	INSTALLING THE HEATER	3
3.0	REDUCING CLEARANCES TO COMBUSTIBLES ...	5
4.0	INSTALLING THE FLUE	5
5.0	INSTALLING THE BAFFLE PLATE	6
6.0	INSTALLING THE FIREBRICKS	6
7.0	TECHNICAL DRAWINGS	7

THE INSTALLATION INSTRUCTIONS IN THIS MANUAL APPLY TO THE MASPORT BOWDEN MBP500, MBWS500, MBCT500.

THEY HAVE BEEN TESTED FOR EMISSIONS AND EFFICIENCY AND COMPLY ACCORDING TO AS/NZS 4012:2014 & AS/NZS 4013:2014.

1. IMPORTANT INFORMATION

Most building regulatory Authorities in Australia require any wood heater installation to comply with Installation Standard AS/NZS 2918:2018. Different states and councils may have varying regulations. Check local building regulations before installing the appliance.

The Masport Bowden wood heaters have been tested to ensure that they will meet the appropriate safety Standard requirements if the instructions in this manual are followed. As the safety and emissions performance can be affected by altering the appliance, no modifications are allowed without written permission from the manufacturer.

WE RECOMMEND THAT THE INSTALLATION OF YOUR MASPORT WOOD HEATER BE CARRIED OUT BY A QUALIFIED INSTALLER.

WARNING: THE APPLIANCE AND FLUE SYSTEM SHALL BE INSTALLED IN ACCORDANCE WITH AS/NZS 2918:2018 AND THE APPROPRIATE REQUIREMENTS OF THE RELEVANT BUILDING CODE OR CODES.

WARNING: APPLIANCES INSTALLED IN ACCORDANCE WITH THIS STANDARD SHALL COMPLY WITH THE REQUIREMENTS OF AS/NZS 4012 & AS/NZS 4013 WHERE REQUIRED BY THE REGULATORY AUTHORITY, I.E. THE APPLIANCE SHALL BE IDENTIFIABLE BY A COMPLIANCE PLATE WITH THE MARKING 'TESTED TO AS/NZS 4012 & AS/NZS 4013'.

ANY MODIFICATION OF THE APPLIANCE THAT HAS NOT BEEN APPROVED IN WRITING BY THE TESTING AUTHORITY IS CONSIDERED TO BE IN BREACH OF THE APPROVAL GRANTED FOR COMPLIANCE WITH AS/NZS 4012 & AS/NZS 4013.

CAUTION: MIXING OF APPLIANCE OR FLUE-SYSTEM COMPONENTS FROM DIFFERENT SOURCES OR MODIFYING THE DIMENSIONAL SPECIFICATION OF COMPONENTS MAY RESULT IN HAZARDOUS CONDITIONS. WHERE SUCH ACTION IS CONSIDERED, THE MANUFACTURER SHOULD BE CONSULTED IN THE FIRST INSTANCE.

CAUTION: CRACKED AND BROKEN COMPONENTS, EG. GLASS PANELS OR CERAMIC TILES, MAY RENDER THE INSTALLATION UNSAFE.

2. INSTALLING THE HEATER

2.1 Positioning the Heater

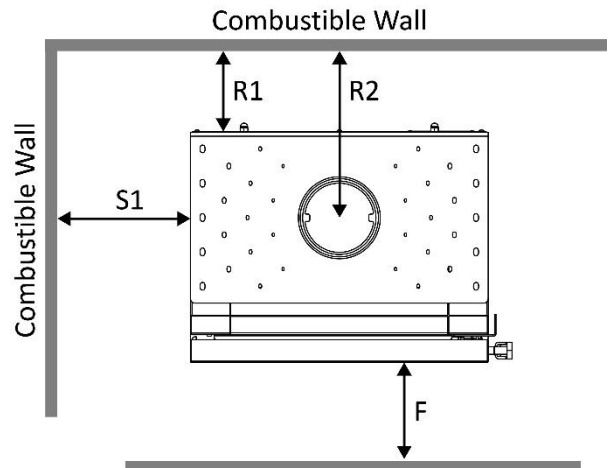
First review the necessary **minimum** clearances specified below before considering where to position the heater. These clearances can be greater if desired.

Also check the practicability of installing the flue system in relation to any obstructing roof beams before positioning the heater.

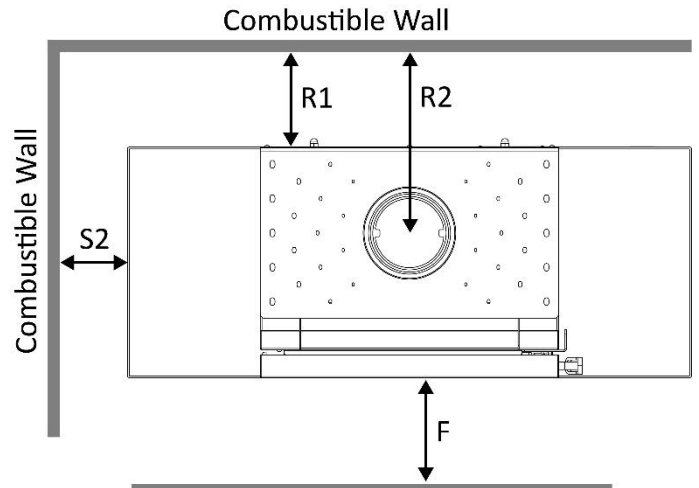
These clearance distances can only be reduced if the surrounding walls are made of non-combustible material, e.g. Stone, brick, or concrete. If walls are constructed from non-combustible material, distance can be reduced to 100 mm. Alternatively, shielding of the wall(s) can reduce clearances (refer to next section for more detail).

NOTE: In the Wood Stacker (MBWS500) and Coffee Table (MBCT500) models, 150mm rear clearance is required in a Standard Installation if ever the fan needs to be removed. If this rear clearance is reduced, the appliance will need to be moved forward to be able to remove the fan should it require servicing.

2.1.1 Standard Installation



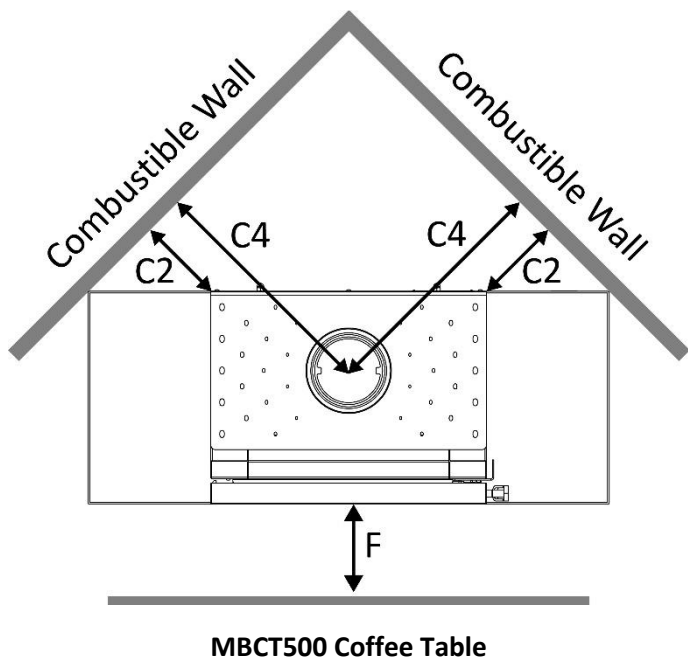
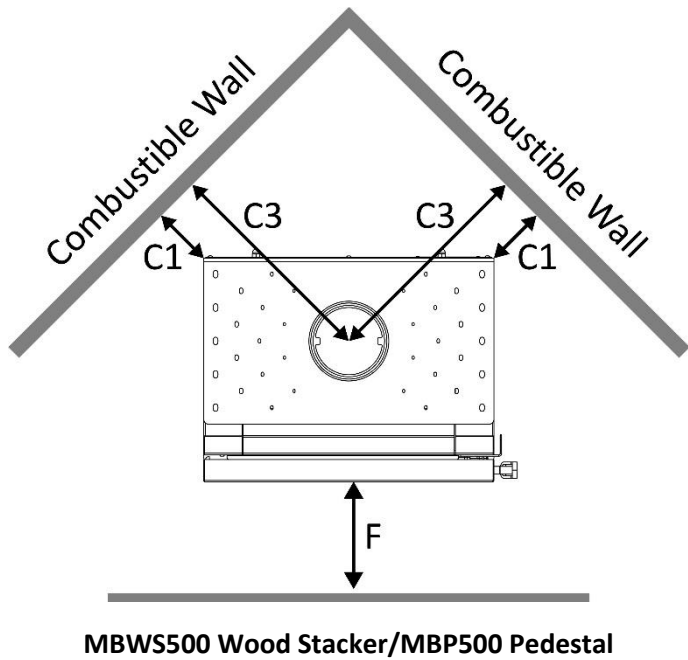
MBWS500 Wood Stacker/MBP500 Pedestal



MBCT500 Coffee Table

Clearances – Standard Installation	
Side – S1 (mm)	350
Side – S2 (mm)	71.5
Rear – R1 (mm)	150
Rear – R2 (mm)	425.5
Floor - F (mm)	300

2.1.2 Corner Installation



2.2 Floor Protector (Hearth)

Unless the heater will be standing on a heat resistant floor such as concrete slab with slate or tiles, it will be necessary to provide a floor protector (hearth).

The dimensions given above (Section 2.1) are the minimum required for the floor protector to extend beyond the firebox door opening. It must extend no less than 300 mm in front of the door opening, no less than 200mm both sides of the door opening, and extend under the heater.

It may be desirable, for example aesthetic reasons, for the floor protector to be larger than these minimum dimensions.

The floor protector must be constructed from non-combustible, heat-resistant material equivalent or greater than 5mm thick compressed fibre cement sheet with a thermal conductivity not greater than 0.33W/m °K.

The floor protector may be laid directly on the combustible floor.

For more details and variations on floor protectors refer to AS/NZS 2918:2018 Clause 2.2, 3.3.1, & 3.3.2

Clearances – Corner Installation	
Corner – C1 (mm)	150
Corner – C2 (mm)	196
Corner – C3 (mm)	497.5
Corner – C4 (mm)	544
Floor - F (mm)	300

3. REDUCING CLEARANCES TO COMBUSTIBLES

If it is necessary to install a heater closer to a combustible surface than the stated requirements in Section 2 of this Installation Guide, it must be done in accordance with Australian Standard AS/NZS 2918:2018 Section 3, Tables 3.1 & 3.2.

Shield Construction: The shield shall be constructed from a heat resistant material. The shield must be fixed to the surface that requires protection and NOT the heater.

The Standard allows three options to reduce stated clearances.

Single layer of continuous material with Minimum Air Gap of 12mm—Clearance Factor = 0.40

Single layer of continuous material with Minimum Air Gap of 25mm—Clearance Factor = 0.30

Two spaced layers of continuous material with Minimum Air Gaps of 12mm + 12mm—Clearance Factor = 0.20

The shielding must be open at the top and bottom (vented) to allow a continuous air flow. It is this air flow that keeps the surface requiring protection cool. Fixings should not impede this air flow.

The shielding needs to go far enough along and up the wall so that the original side and rear required clearances are not compromised. As the flue is now closer to the wall the shielding should also protect the wall from the flue pipe.

4. INSTALLING THE FLUE

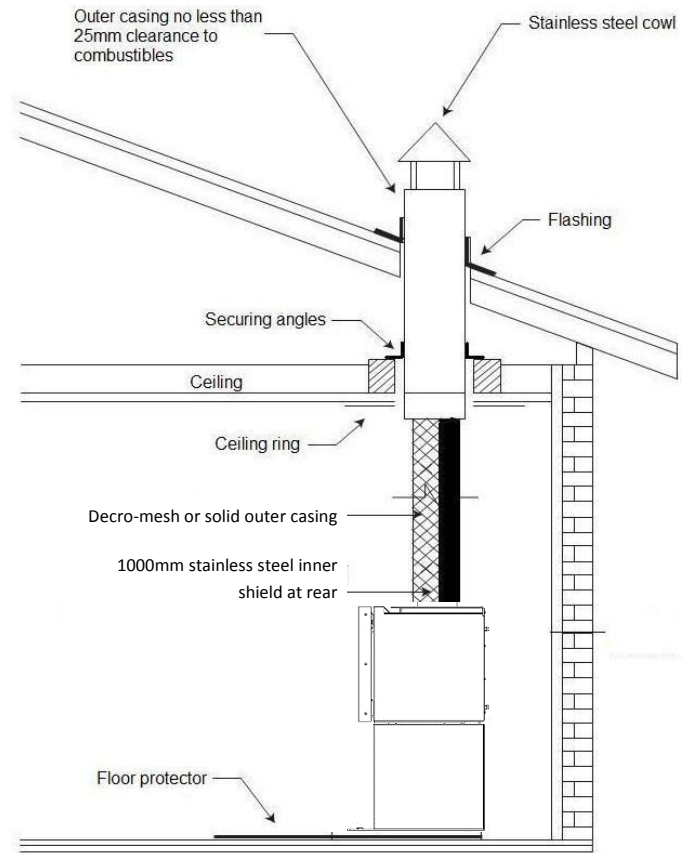
The flue system used when installing the heater MUST comply with the current installation standard AS/NZS 2918.

Full instructions on the installation of the flue will be supplied with the flue kit. These MUST be followed closely, including the minimum exit height from the top of the floor protector being not less than 4.6m, and the minimum exit height above the roof line of roof ridge as detailed in the instructions.

The flue must be fitted with one of two flue shielding options:

- 1) **Solid outer casing with inner rear shield**
- 2) **Decro-mesh casing with inner rear shield**

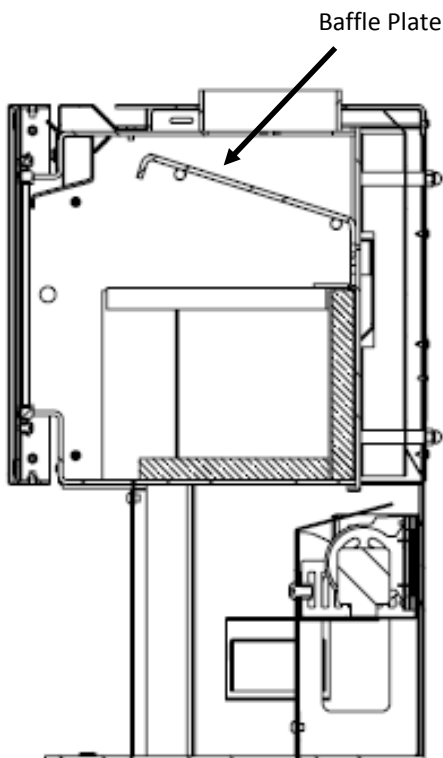
The flue casing, solid or perforated decro-mesh must be 7.75" diameter, extending from the top of the flue spigot of the appliance through into the drop box penetrating the ceiling. The first length of casing must have an inner shield extending the full length, and positioned so that the inner shield is between the active flue and the rear wall.



5. INSTALLING THE BAFFLE PLATE

The baffle plate should be installed before installing the fire bricks.

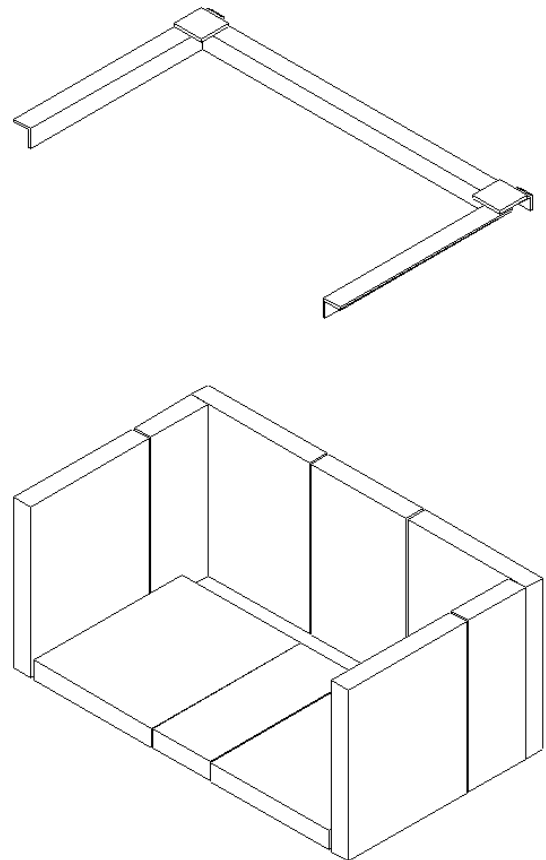
- 1) Place the baffle inside the firebox with the slotted fold directed downwards and at the rear of the firebox (refer to following diagram for correct orientation).
- 2) Raise the front of the baffle, tilting it back so that it clears and rests on the front support rods.
- 3) Raise the rear of the baffle, bringing it forward enough to clear the rear support rods.
- 4) Once clear of the rear support rods, push the baffle back so that it is resting hard up against the rear of the firebox.
- 5) Centralise the baffle so that gaps between each side and firebox are equal.



6. INSTALLING THE FIRE BRICKS

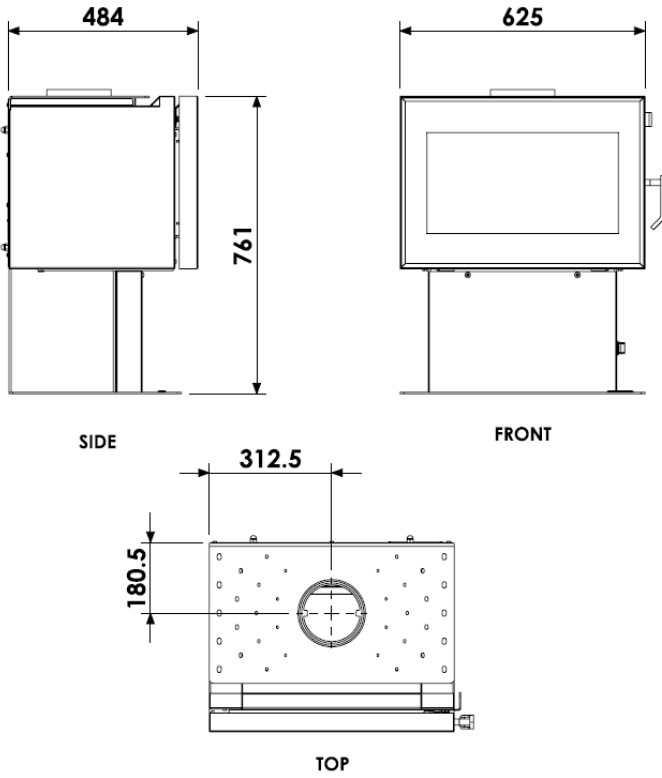
Place the bricks into the firebox as shown in the diagram below. Once bricks are in, fit the retainer over the top to hold them in place.

- Two full size (220 x 175 x 25) and one (220 x 140 x 25) along the back.
- One full size and one half size (220 x 85 x 25) along each side.
- Two full size and one half size in the base.

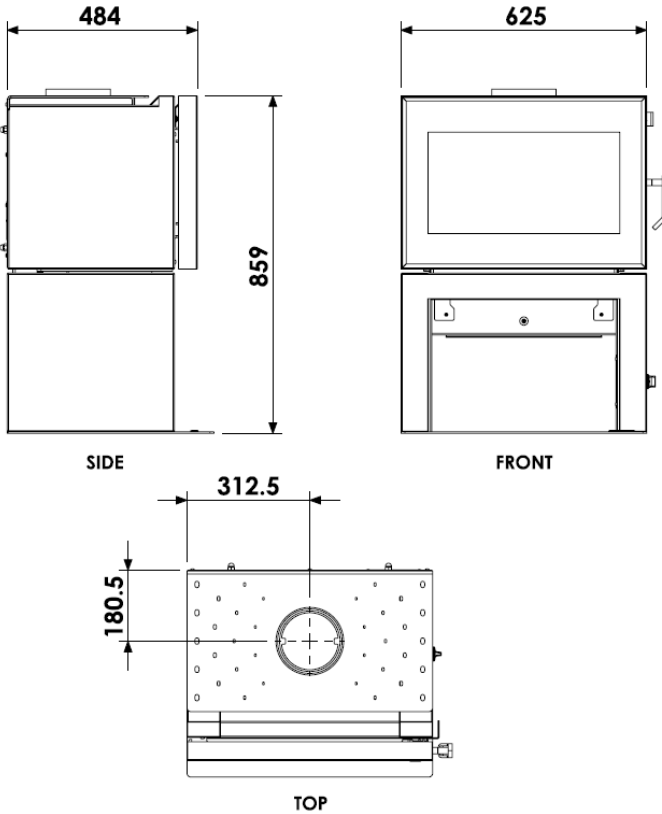


7. TECHNICAL DRAWINGS

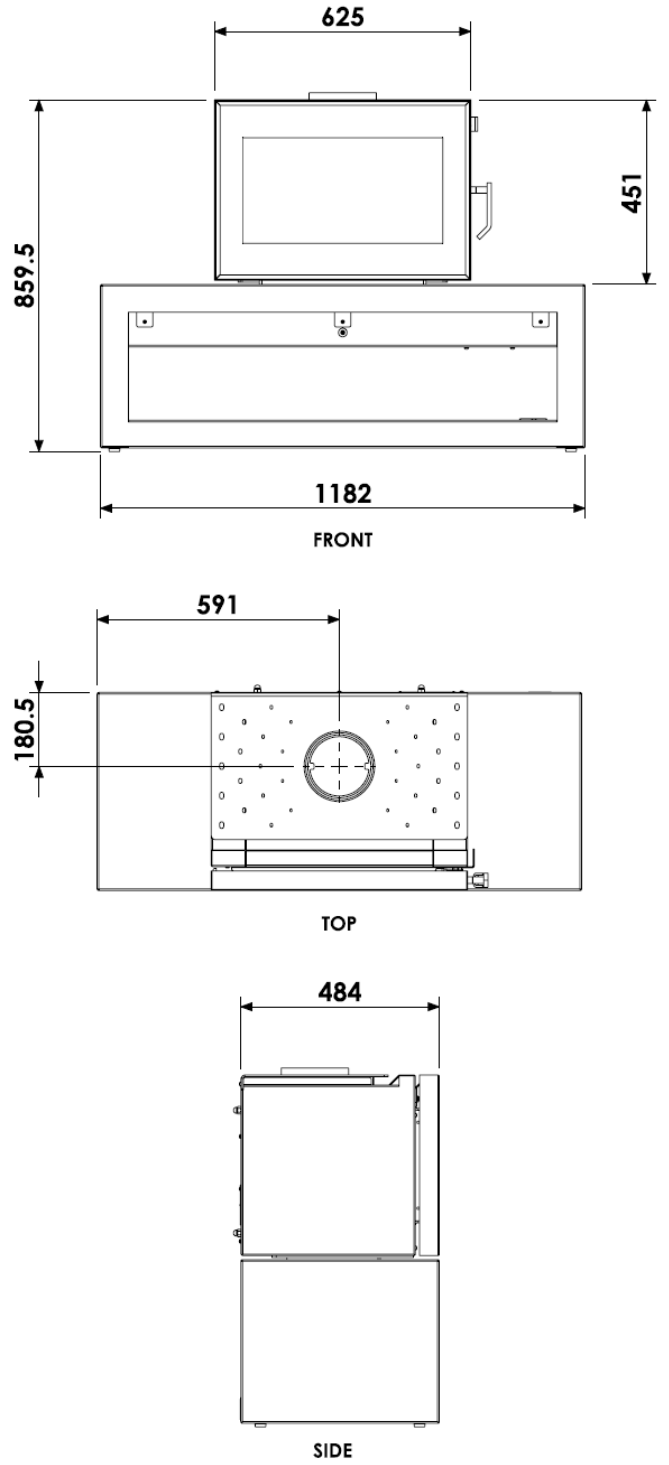
MBP500 Pedestal



MBWS500 Wood Stacker



MBCT500 Coffee Table





Glen Dimplex Australia Pty Ltd

1340 Fentree Gully Road,
Scoresby Victoria 3179
Australia

T: 1300 556 816 | F: 1800 058 900

Email: sales@glendimplex.com.au

www.glendimplex.com.au