

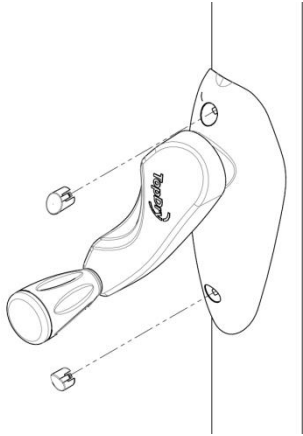


**TOPDRY Rotary – Handle Replacement - Installation Instructions**

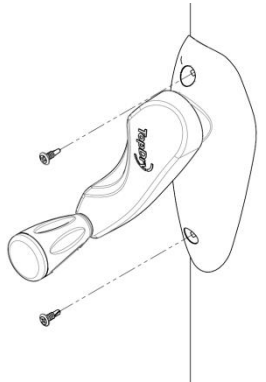
**Parts List**

AD05529	Handle Assembly - Rotary Evergreen	
AD05530	Handle Assembly - Rotary Graphite	

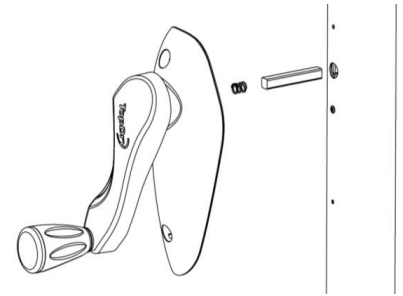
## Rotary Handle – Removal Instructions



1. Use a small flat bladed screwdriver to remove the two small caps

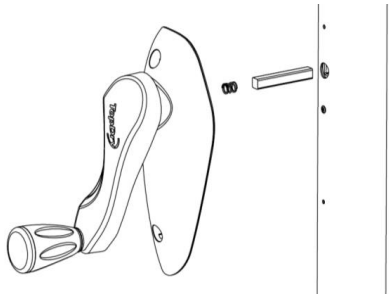


2. Use a cross head screwdriver to remove the two screws holding the handle to the main post

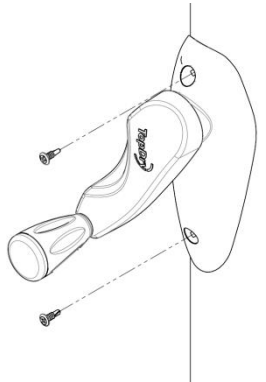


3. Pull the handle of the square key. Leave the key in place.

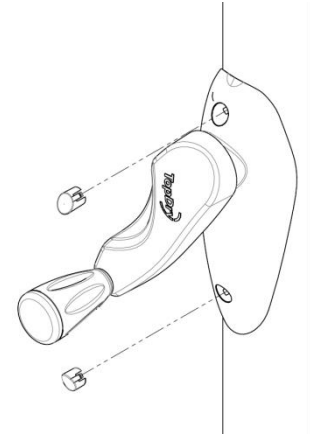
## Rotary Handle – Removal Instructions



1. Align the square key with the handle and position the assembly



2. Use a cross head screwdriver to tighten the two screws holding the handle to the main post



3. Push the two caps into position.