



Shower Screen and Door Kit Instructions

Step by step guide





IMPORTANT NOTICE

IMPORTANT: The glass panels used for Highgrove frameless shower screens are made from Grade A Toughened Safety Glass that complies with the relevant Australian Standards. Although it is very tough, it can still be damaged and break if not handled correctly. Please read all instructions, prior to installation.

- 1) DO NOT** rest or place the glass panels on hard surfaces like tiles, concrete, other glass panels or metal surfaces. Always cushion the edges with cardboard, soft timber or rubber mat.
- 2) DO NOT** install the glass panels with just one person. The glass panels are heavy and you should have another person assist you to avoid injury.
- 3) DO NOT** attempt to cut, drill or grind the glass panel. Toughened Safety Glass is not like ordinary glass. Any such actions would cause the entire panel to shatter into thousands of tiny pieces. (This is not because of inferior quality but it is part of the design criteria specified by Australian Standard AS2208 to avoid large shards of glass in case of accidental breakage).
- 4) DO NOT** use abrasive cleaners or powders to clean the glass panels or components.
- 5) DO NOT** use any acidic or caustic Silicone or chemicals on any part of the shower screen assembly.
- 6) DO NOT** impact or scratch the glass panels with any sharp metallic objects or tools.
- 7) DO NOT** knock one glass panel against another glass panel. Take special care to avoid any impact during the installation as this may cause damage or result in breakage.

If you are unclear about any part of these instructions, please contact GALE Pacific.

Australia

Phone 1800 331 521

Web everton.com.au

Email everton@galepacific.com

New Zealand

Phone 0800 555 171

Web evertonglass.co.nz

Email everton@galepacific.com

WARNING



For personal safety when handling glass ALWAYS wear appropriate eye protection, full length clothing, gloves and steel-capped shoes.



Before handling glass panels ensure safety glasses, full length clothing, gloves and steel-capped shoes are worn.

If glass panels need to be rested on the ground during installation, ensure timber blocks are used to protect the edge of the glass panel on hard surfaces.



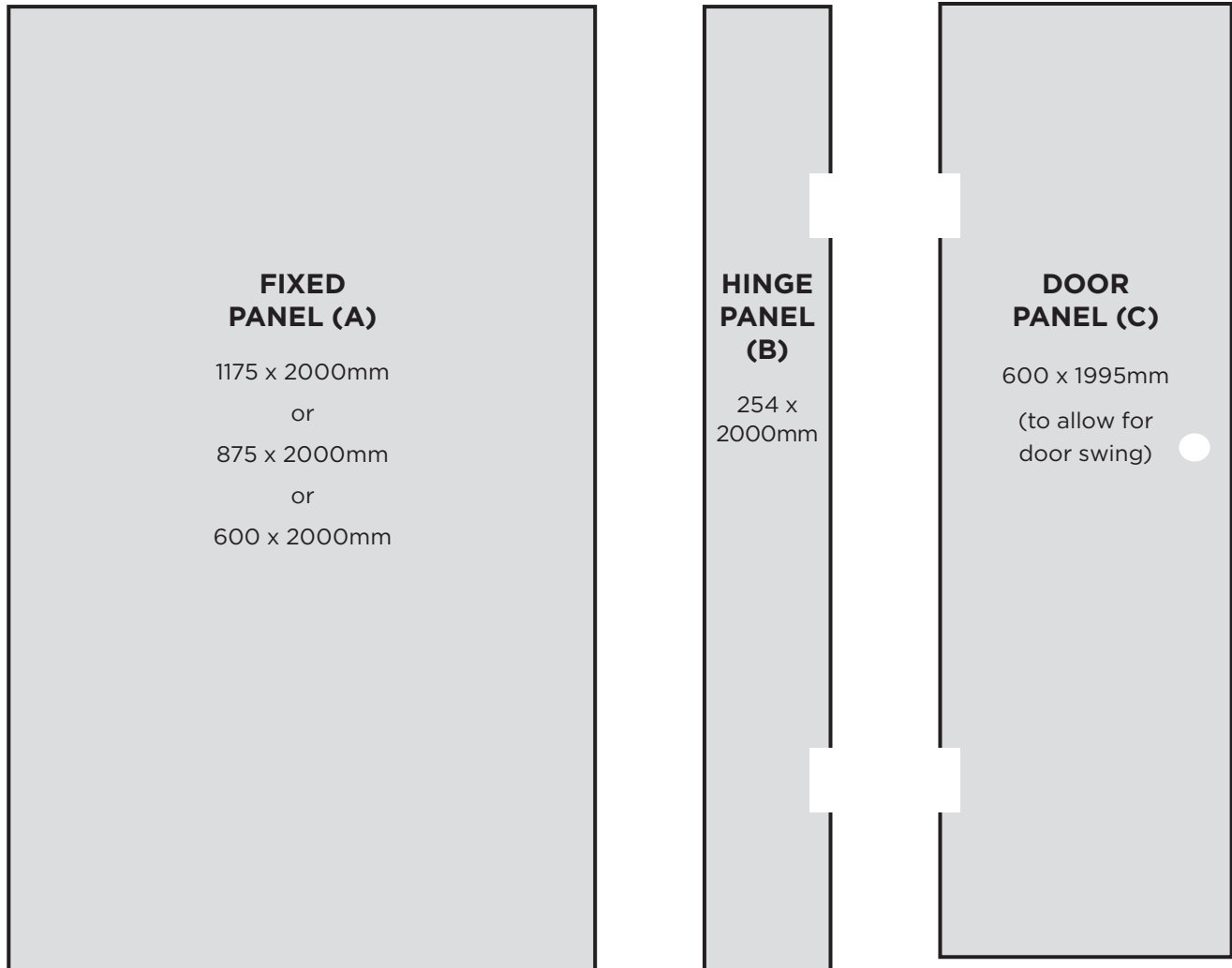
IMPORTANT – GLASS IS FRAGILE AND CAN SHATTER

2 PEOPLE ARE REQUIRED FOR GLASS PANEL INSTALLATION TO AVOID GLASS DAMAGE AND **SERIOUS INJURY**.

Ensure you read all instructions completely before commencing.



Throughout this instruction booklet, the following glass panels will be referred to as; Panel A, Panel B and Panel C.



Before commencing installation, ensure you have the following components:

- D)** 8 x Hinge Caps
- E)** 2 x Allen Keys
- F)** 2 x Glass to Glass Hinges
- G)** 8 x Mounting Brackets
- H)** 1 x Door Handle
- I)** 4 x Clear Rubber Blocks
- J)** 8 x Gaskets
- K)** 8 x 25mm Green Masonry/Ceramic Plugs
- L)** 8 x 25mm Phillips Head Screws



D) x 8



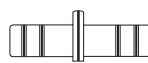
E) x 2



F) x 2



G) x 8



H) x 1



I) x 4



J) x 8



K) x 8

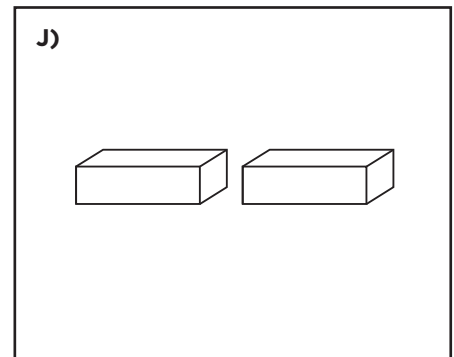
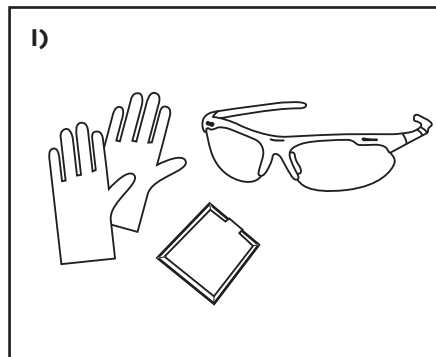
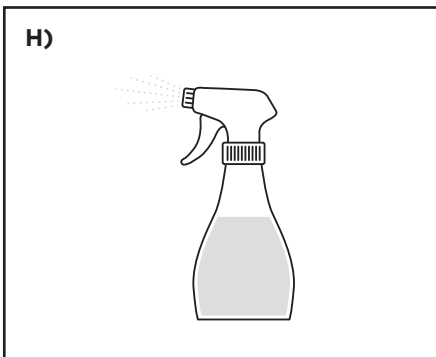
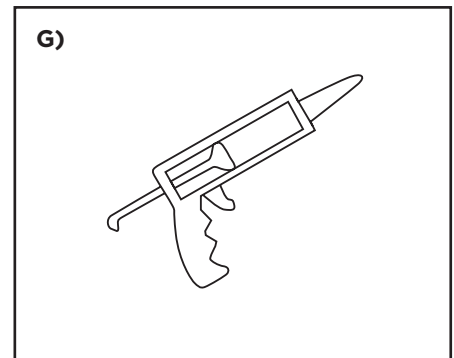
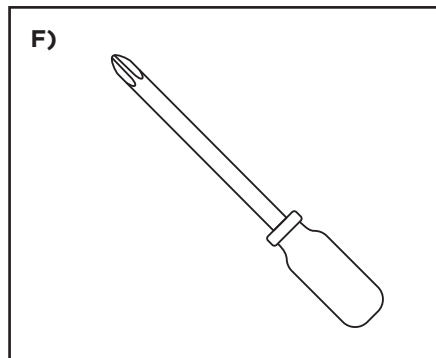
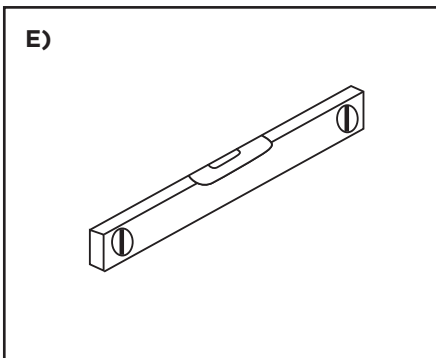
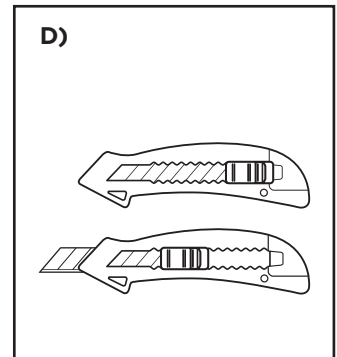
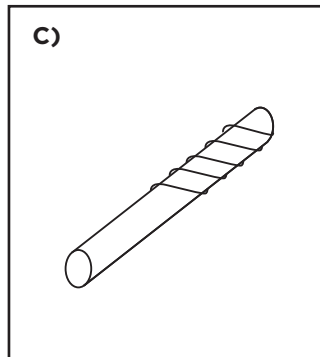
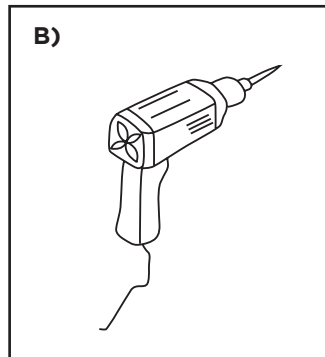
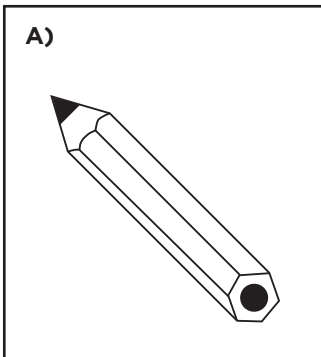


L) x 8



You will also need the following tools:

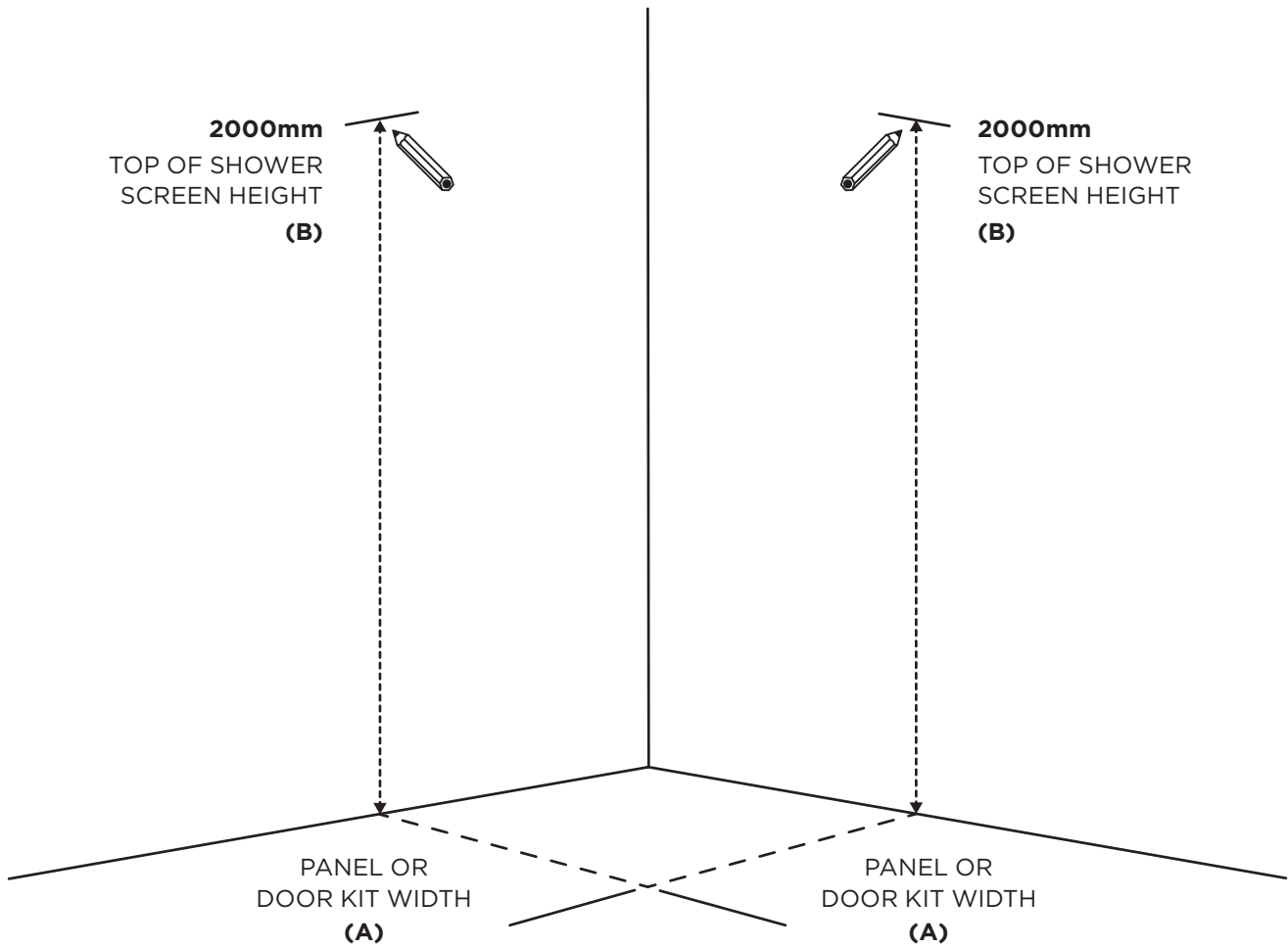
- A)** Pencil for marking lines (ensure you use a pencil or marker that can be removed from tiles)
- B)** Drill
- C)** 6mm diamond core drill bit
- D)** Utility knife
- E)** Spirit level
- F)** Phillips head screw driver
- G)** A suitable bathroom silicone with mould inhibitor and caulking gun.
- H)** Water spray bottle
- I)** Gloves, safety glasses and silicone spatula (Recommended pack: Everton Glass Installation Kit 1142367 – 2 sets of gloves and silicone spatula)
- J)** Timber blocks to rest glass on.





STEP 1

On the base of the shower mark two **HORIZONTAL** centre lines **(A)** that will guide the installation and placement of your panels. For a fixed shower panel these lines will be the panel width (600mm, 875mm or 1175mm). For a door panel kit, the measurement will be 865mm to the internal side of the fixed panel.



Position a spirit level on the centre lines next to **BOTH** fixed shower walls and make a **VERTICAL** line to 2000mm **(B)**. This will be the top of your shower screen.

NOTE: A spirit level must be used to ensure vertical straightness.

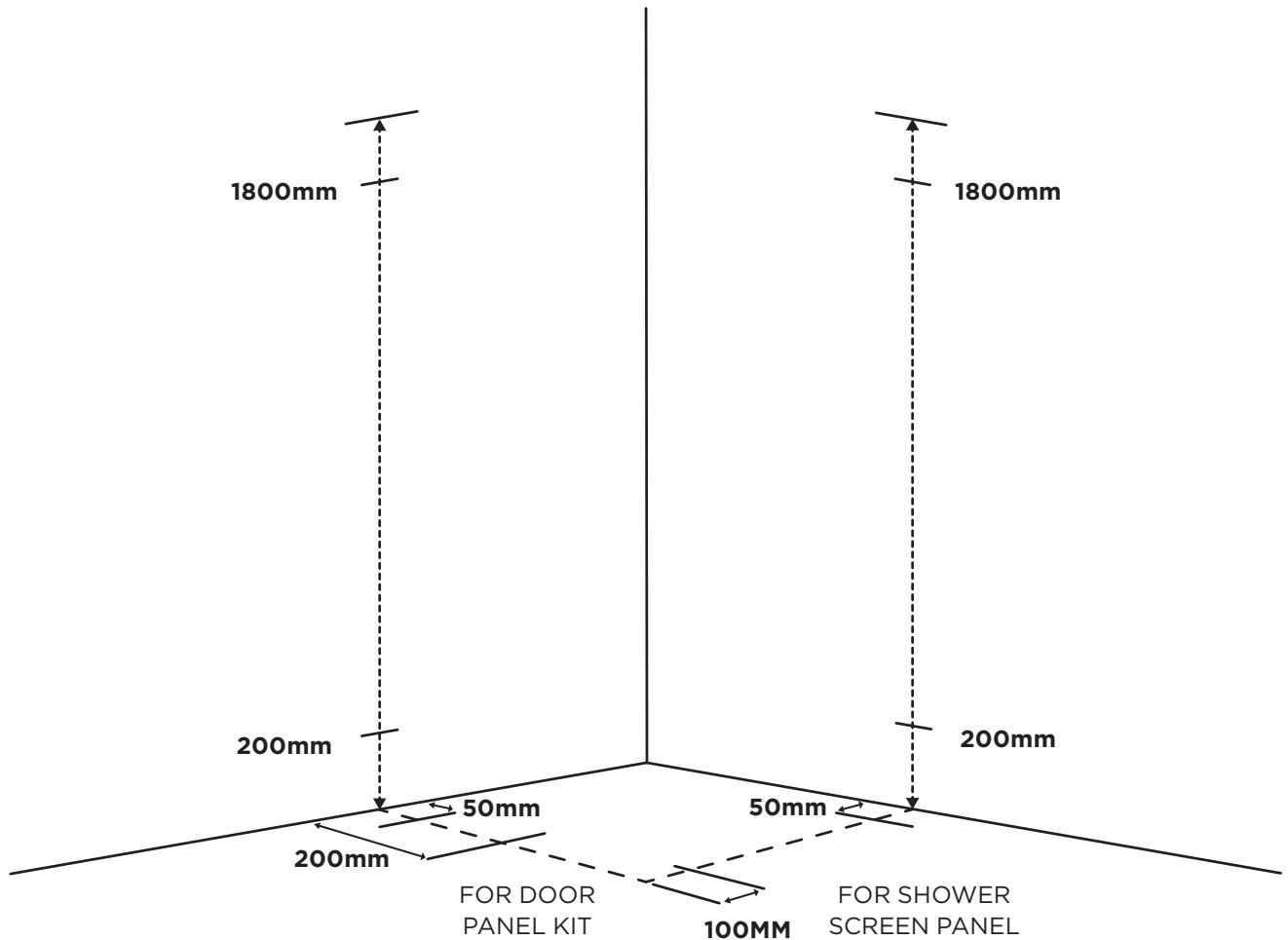


STEP 2

Along the **VERTICAL** centre lines created in STEP 1, mark the position of the **WALL** mounted brackets at 200mm and 1800mm from the floor.

Along the **HORIZONTAL** centre lines created in STEP 1, mark the position of the **FLOOR** mounted brackets at 50mm from the wall and 100mm from the end of Panel A.

Where an optional door kit is to be installed: Along the **HORIZONTAL** centre line created in STEP 1, mark the position of the **FLOOR** mounted brackets at 50mm and 200mm from the adjacent wall.



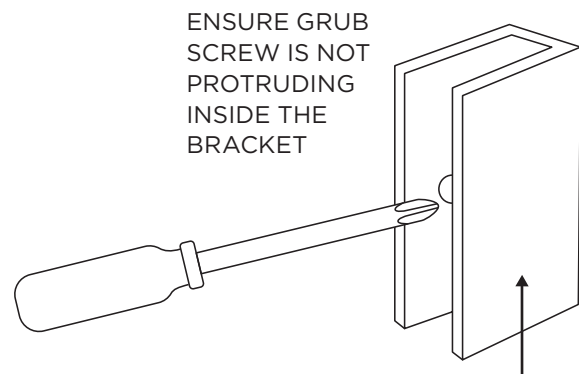
STEP 3

Using a 6mm diamond core drill bit, drill the marked holes (eight holes) from Step 2 to a depth of approximately 30mm.

Insert green plugs into each hole and ensure you cut off any excess protruding from the wall or floor.

Fix each mounting bracket to the walls and floor, ensuring the grub screw side of each bracket faces the inside of the shower.

Before positioning the glass panel into the brackets, ensure grub screws have been loosened and do not protrude into the internal section of the bracket.



SIDE WITHOUT GRUB TO
FACE OUTSIDE OF SHOWER



STEP 4

Clean any marks you have made with your marker or pencil.

Cut the supplied clear rubber blocks to approximately 6mm and place in front of each floor mounted bracket to protect Panel A and Panel B edges from damage.

The blocks will be trimmed once the glass has been installed.

The glass panel must be permanently supported by rubber blocks and not rest on the metal mounting brackets.

CUT BLOCK TO 6mm FOR RESTING THE GLASS PANEL



STEP 5

Before handling glass panels ensure safety glasses, full length clothing, gloves and steel-capped shoes are worn.

If glass panels need to be rested on the ground during installation, ensure timber blocks are used to protect the edge of the glass panel on hard surfaces.

IMPORTANT – GLASS IS FRAGILE AND CAN SHATTER

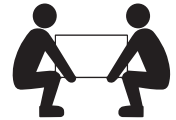
2 PEOPLE ARE REQUIRED FOR GLASS PANEL INSTALLATION TO AVOID GLASS DAMAGE AND **SERIOUS INJURY**.

Ensure you read all instructions completely before commencing.

Always protect the corners and edges of the glass panels which are vulnerable to damage.

WARNING

**STRICTLY
2 PERSON LIFT**

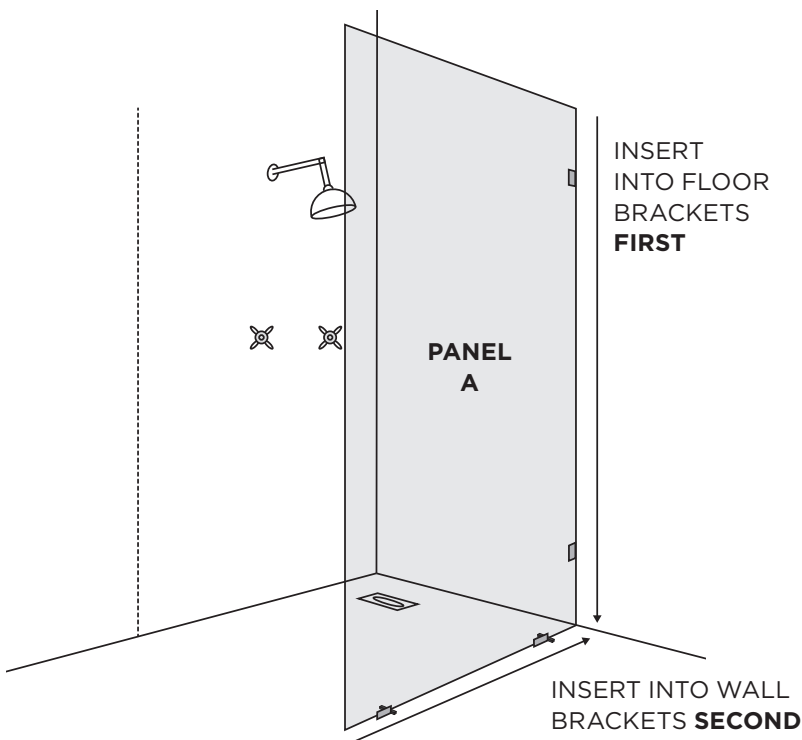


Ensuring you have Panel A up the correct way, with the Highgrove logo positioned at the bottom of the panel, carefully lower the panel into the **FLOOR** brackets of the desired side.

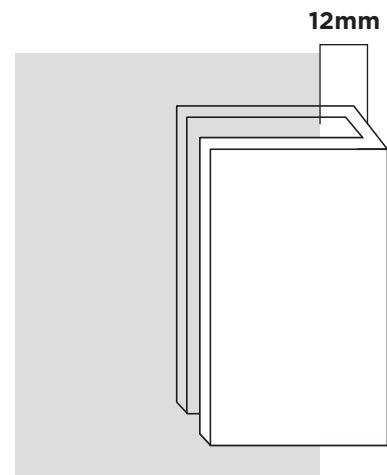
Once inserted into the floor brackets, you can now carefully slide Panel A into the **WALL** brackets.

Ensure Panel A is level. If not, adjust the size of the clear rubber blocks. Do not exceed a 12mm gap between Panel A and the wall.

Once Panel A is level, **HAND** tighten using Allen Key provided. If you are installing a screen only, skip to step 7.



DO NOT EXCEED 12mm GAP BETWEEN PANEL & WALL





STEP 6

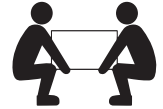
IMPORTANT — GLASS IS FRAGILE AND CAN SHATTER

2 PEOPLE ARE REQUIRED FOR GLASS PANEL INSTALLATION TO AVOID GLASS DAMAGE AND **SERIOUS INJURY**.

Ensure you read all instructions completely before commencing.

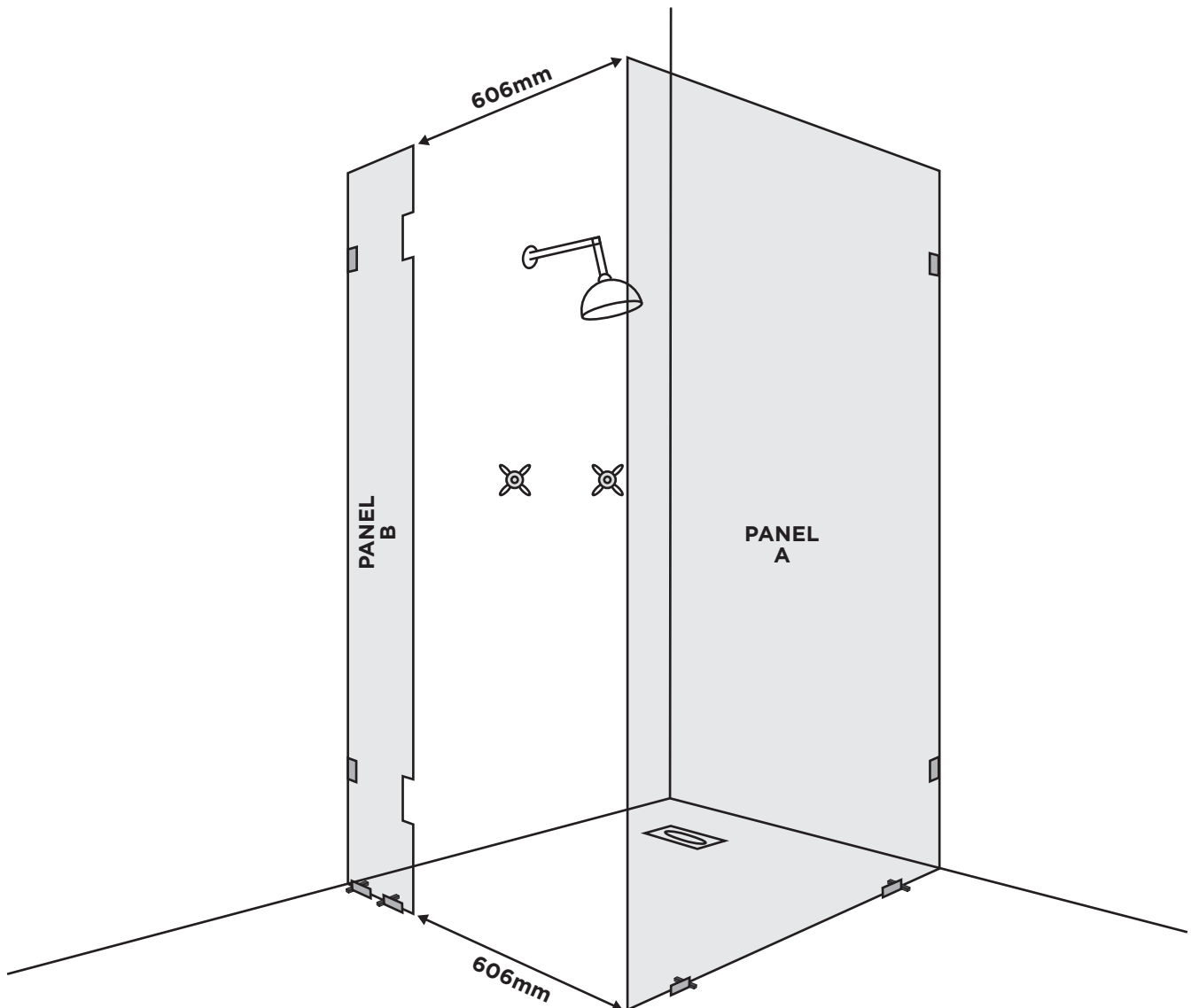
WARNING

STRICTLY
2 PERSON LIFT



Ensuring you have Panel B up the correct way, with the Highgrove logo positioned at the bottom of the panel, now carefully slide lower the panel into the **FLOOR** brackets of the desired side.

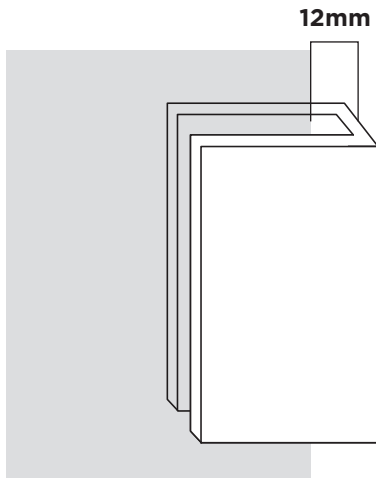
Once inserted into the floor brackets, you can now carefully slide Panel B into the **WALL** brackets.



STEP 6 Cont.

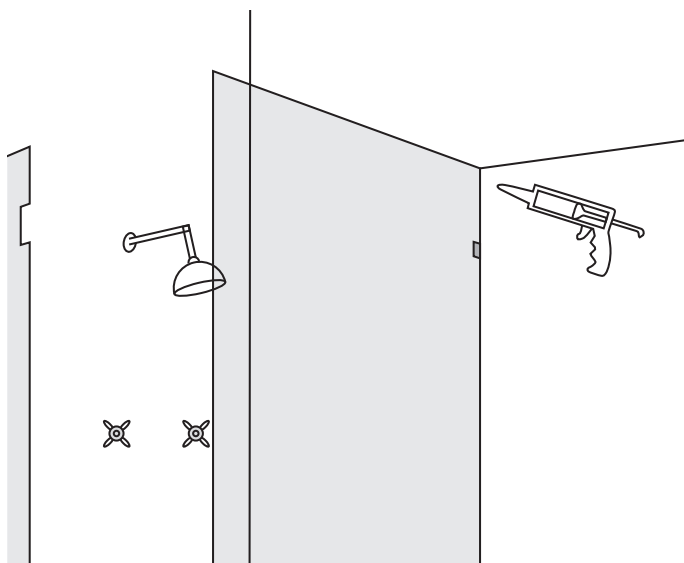
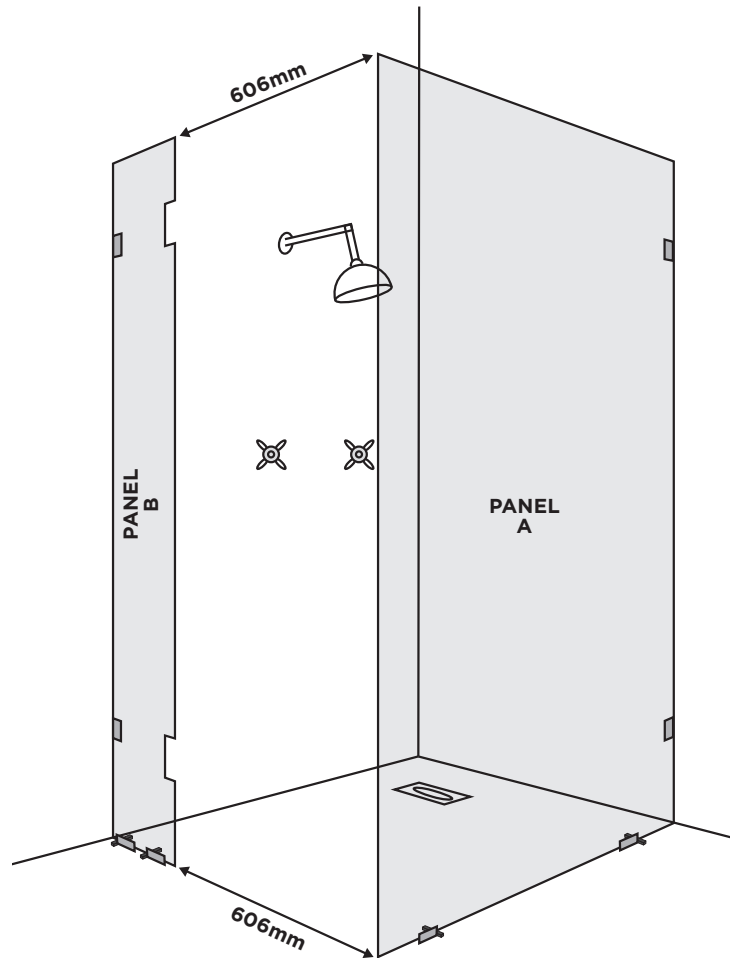
Ensure Panel B is level. If not, adjust the size of the clear rubber blocks. Do not exceed a 12mm gap between Panel B and the wall.

DO NOT EXCEED 12mm GAP BETWEEN PANEL & WALL



Before tightening all grub screws for Panel B, ensure the door opening is 606mm from the end of Panel A.

Once Panel B is level and 606mm from the end of Panel A, **HAND** tighten all bracket grub screws very tightly.



STEP 7

Using a suitable bathroom silicone with mould inhibitor, fill the joints between Panels A and B and the wall. Spray water over the sealed area before using a Everton silicone spatula to scrape off the excess.

Repeat this action until the excess silicone is cleared.

Repeat the step on both sides of the glass and allow the silicone to cure (refer to manufacturers specifications) before hanging the door as per silicone instructions.

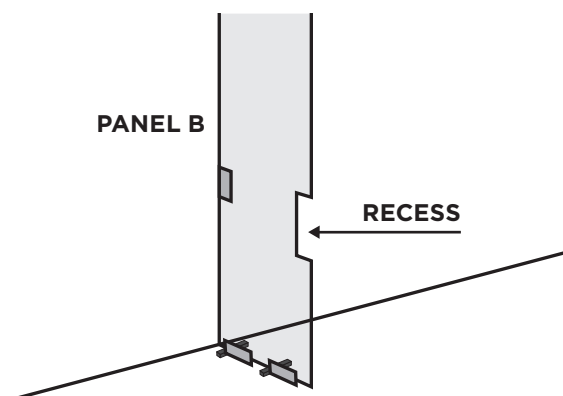
If you are installing a screen only, skip to step 10.

STEP 8

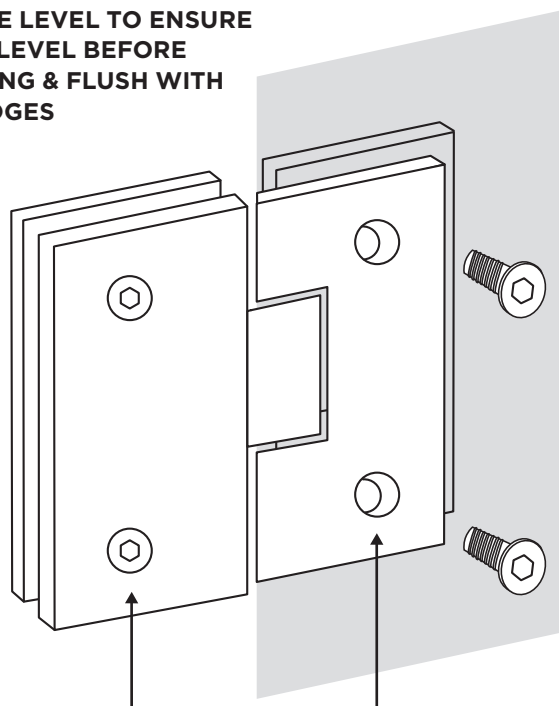
DO NOT ATTEMPT TO HANG THE DOOR UNTIL SILICONE HAS FULLY CURED.

Attach the hinges to the recesses in Panel B ensuring the Allen head screws are facing the inside of the shower.

Ensure hinges are square and level on the glass panel, as per the below images.



NOTE: USE LEVEL TO ENSURE HINGE IS LEVEL BEFORE TIGHTENING & FLUSH WITH GLASS EDGES



GRUB SCREWS FACE TOWARDS INSIDE OF SHOWER

STEP 9

Always protect the corners and edges of the glass panels which are vulnerable to damage. Place two rubber blocks in the door opening to prevent damage and allow for proper door clearance.

Before handling glass panels ensure safety glasses, full length clothing, gloves and steel-capped shoes are worn.

IMPORTANT — GLASS IS FRAGILE AND CAN SHATTER

2 PEOPLE ARE REQUIRED FOR GLASS PANEL INSTALLATION TO AVOID GLASS DAMAGE AND **SERIOUS INJURY**.

Ensure you read all instructions completely before commencing.

WARNING

**STRICTLY
2 PERSON LIFT**

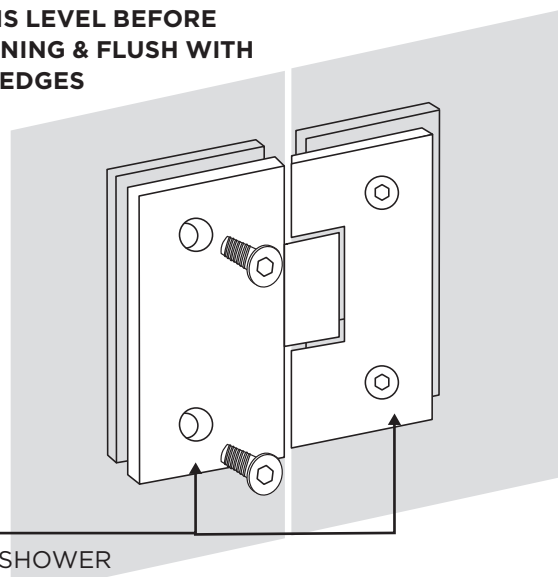


SLOWLY lift Panel C (Door) into position on the rubber blocks, ensuring the door is facing the right way up.

Fix the Panel B hinges to Panel C, ensuring gaskets are fitted to **EACH** side of the glass when installing hinges.

Before tightening hinge screws, ensure there are even gaps between Panel B and Panel C, and Panel C and the edge of Panel A.

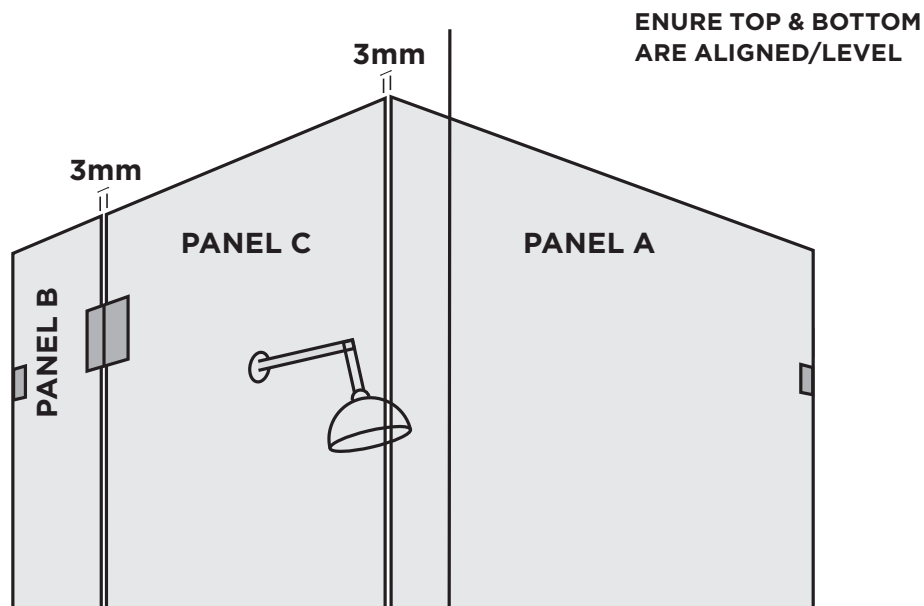
NOTE: USE LEVEL TO ENSURE HINGE IS LEVEL BEFORE TIGHTENING & FLUSH WITH GLASS EDGES



GRUB SCREWS FACE TOWARDS INSIDE OF SHOWER



STEP 9 Cont.



STEP 10

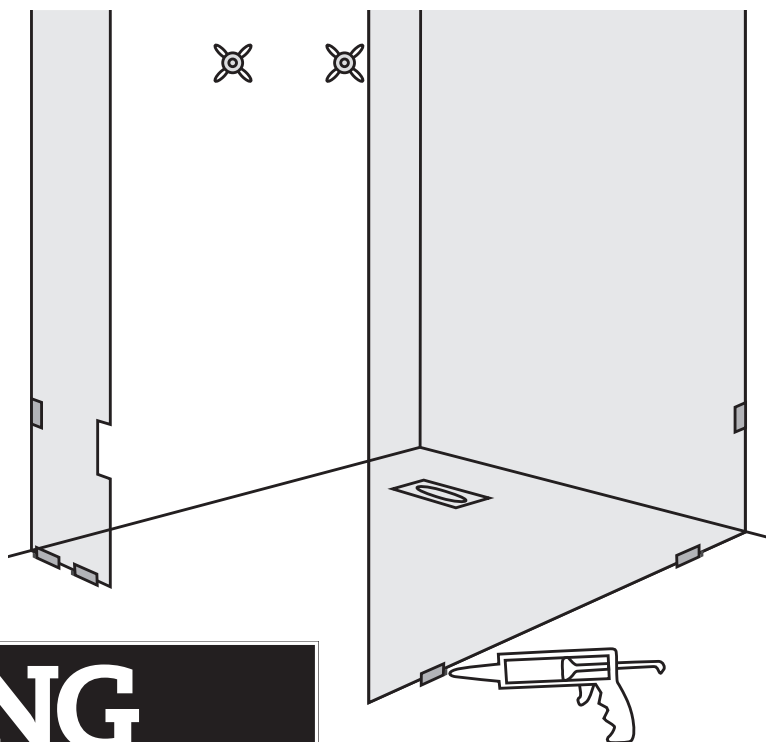
Tighten the hinges and carefully remove the rubber blocks from under the door.

Cut the excess blocks away (installed in Step 4) from the bottom of Panel B and Panel A, ensuring you leave a rubber section directly under Panel B and Panel A for support.

Seal the bottom gap of Panel B and Panel A according to step 7.

Inspect hinges and mounting brackets regularly and adjust and tighten as necessary. Ensure silicone between joints is in good condition.

We recommend cleaning glass regularly with water and mild detergent using a microfibre cloth.



WARNING



For personal safety when handling glass ALWAYS wear appropriate eye protection, full length clothing, gloves and steel-capped shoes.