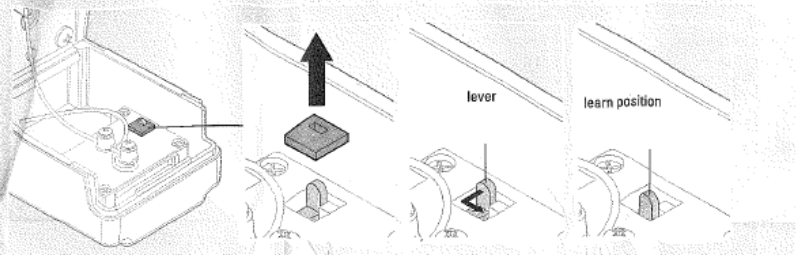


Set a new combination

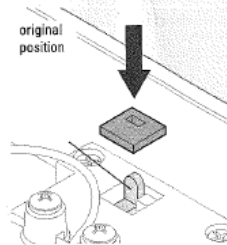
A Remove rubber cover and move lever to learn position.



B Close Yardlock and rotate dials to desired combination.



C Open Yardlock, move lever to original position, and install rubber cover.



IMPORTANT: Write down and save your new combination in a safe place.



Required tools	Parts in the box				
Tape measure #4 Philips screwdriver 3/8" (9,5 mm) wood bit 1/8" (3,5 mm)	Latch assembly 	Latch cover 	Spring 	Yardlock 	Screws

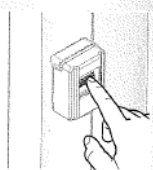
Recommendations

If you have an out-swinging gate, it is recommended that you reverse your hinges to create an in-swinging gate for added security.

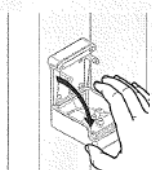
The following instructions are for IN-SWINGING gates. Instructions for OUT-SWINGING gates are available at www.natman.com

Normal Operation

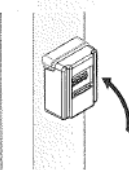
A Enter code.



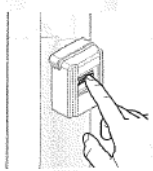
B Open Yardlock and gate.



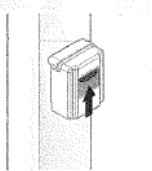
C Close Yardlock



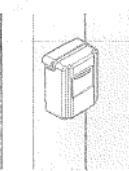
D Scramble dials.



E Close shutter.



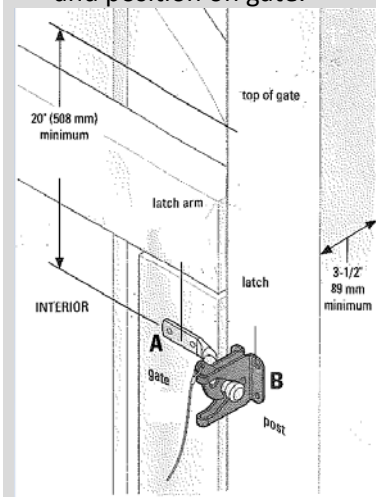
F Close gate.



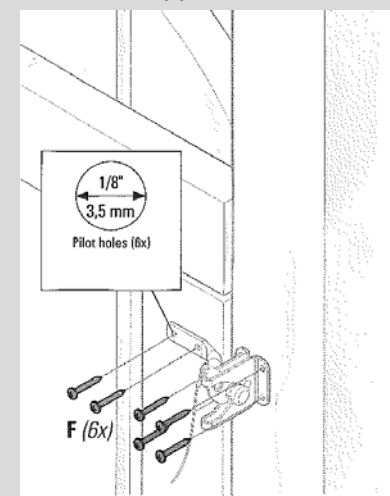
WARNING: This Manufacturer advises that no lock can provide complete security by itself. This lock may be defeated by forcible or technical means, or evaded by entry elsewhere on the property. No lock can substitute for caution, awareness of your environment, and common sense. Builder's hardware is available in multiple performance grades to suit the application. In order to enhance security and reduce risk, you should consult a qualified locksmith or other security professional.

1 Install latch assembly on gate interior

A Insert latch arm into latch and position on gate.

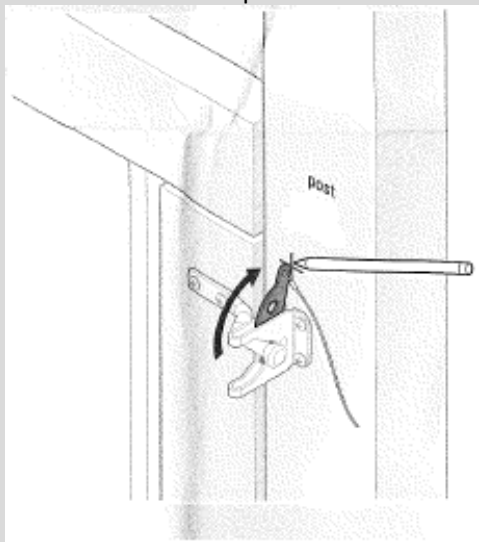


B Secure latch assembly with supplied screws.

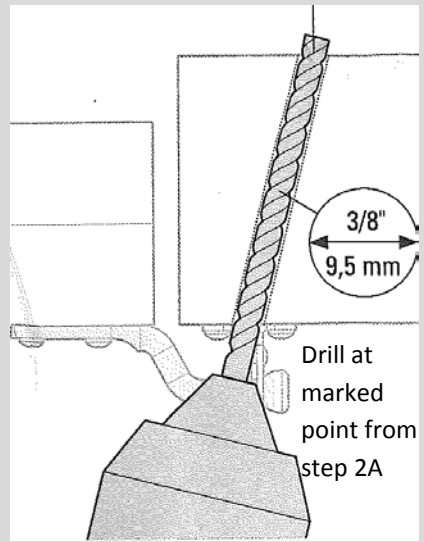


2 Drill hole for cable

A Mark the point where the catch meets the post.

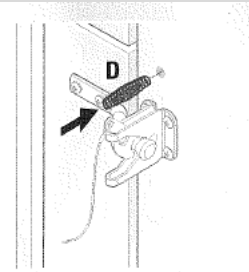


B Drill hole through post.

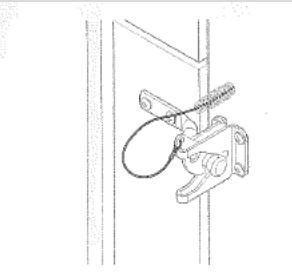


3 Install spring and latch cover

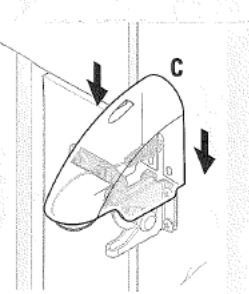
A Install spring in post hole.



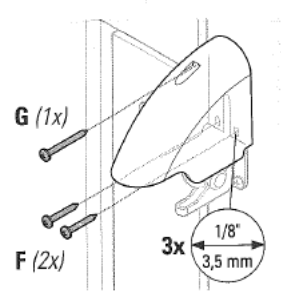
B Push cable through spring and post.



C Slide latch cover over spring.

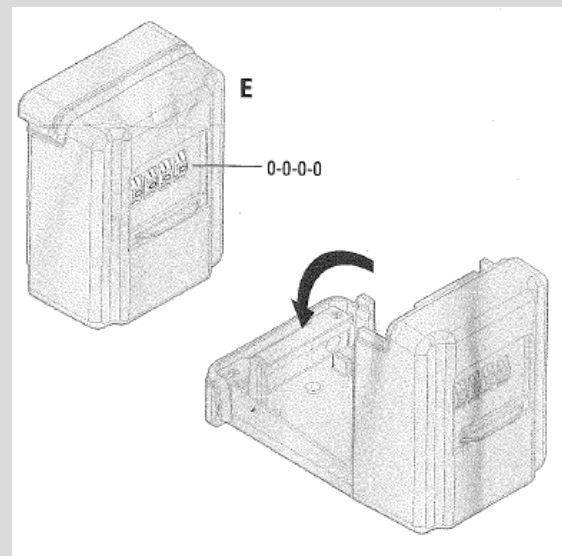


D Mount cover on post.

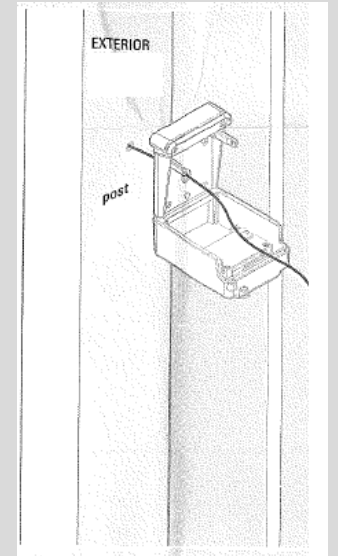


4 Install Yardlock

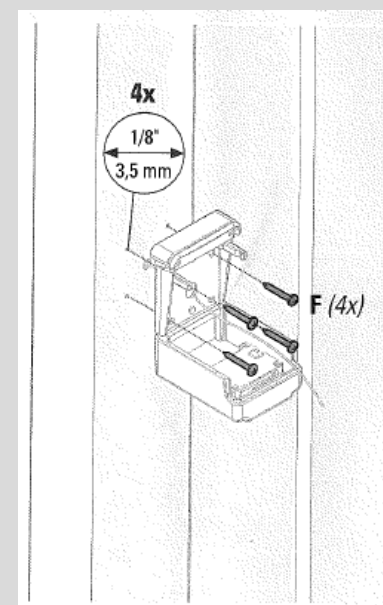
A Unlock Yardlock with default combination: 0-0-0-0



B Push cable through Yardlock.



C Mount Yardlock on post.



D Secure cable.

