

Multifunction Oven – XXL 133 Litre

Model: OMF9032



- 15 functions
- Dual mount lighting
- 32 automatic cooking programmes
- 20, 5 stage sequence user customised cooking programmes
- Residual heat temperature indicator
- **Precision Plus** electronic temperature control with 1°C increments
- 5 convenient cooking levels
- Premium soft close doors
- Electronic Intelli-Logic touch controls
- Energy efficiency Class **A** – 20%
- Meat probe
- 1 shallow tray with EzyKleen enamel
- 2 metal grills
- 2 multi adjustable fully extendible telescopic guides
- Easy access fully removable glass panes with snap lock convenience



Enamel



Traditional cooking:
upper and lower
heating elements
Pizza and Bread



Pastry:
lower heating element



Dual Mount
Lighting



Fan forced lower
heating element



Baking: fan forced



Full Grill



Fan forced upper
heating element



Fan assisted lower
heating element



Defrosting: fan



Gratin Ventilation Grill



Slow Cooking
Food Warming



Intensive cooking:
upper + lower heating
elements + fan



Thermal
Reflective Glass



Meat Probe



Start - Pause



THERMA/low6



Assisted Cleaning



Automatic cooking
programmes



Child Safety Lock



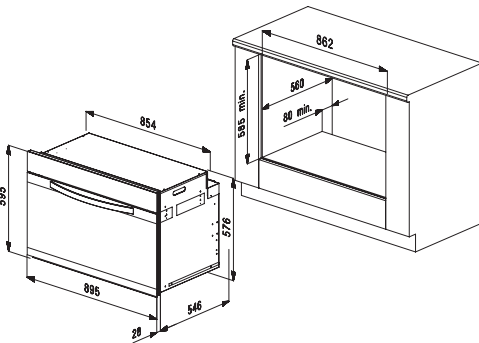
Auto Boost



Precision Plus



QUALITY ASSURED



To obtain full installation instructions for this appliance go to kleanmaid.com.au and click on User Care Manuals, top right.

J11797_04