



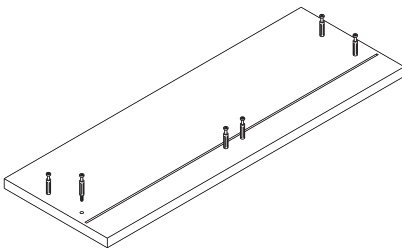
Versa Wardrobe

Component list

3mm screw 50mm 53x	3mm screw 16mm 12x	5mm lug 8x	8 x 60mm dowel 2x	25mm nail 70x	drawer runners 4x	cam & pin 25x
wardrobe bracket 4x	door handle 2x	drawer handle 4x	hanging bracket 4x	hanging rail 2x	spring bracket 4x	wardrobe track 4x
shelf support 8x	screw sticker 24x					

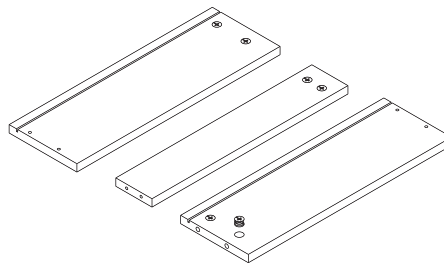
DRAWER ASSEMBLY

STEP 1



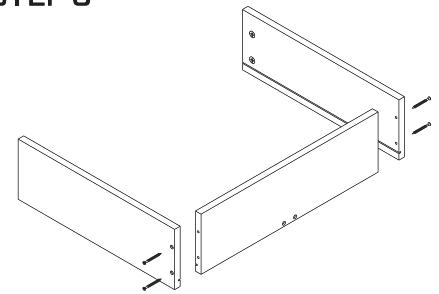
Insert cam pin into drawer face until snug. Do not over-tighten.

STEP 2



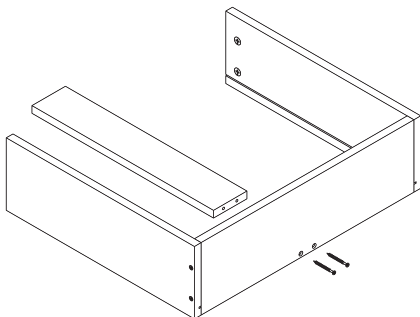
Insert cams with arrow side up into drawer back panel and side panels.

STEP 3



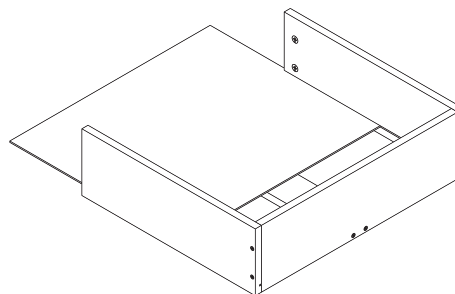
Attach the drawer side panels to the drawer back panel using 50mm screws

STEP 4



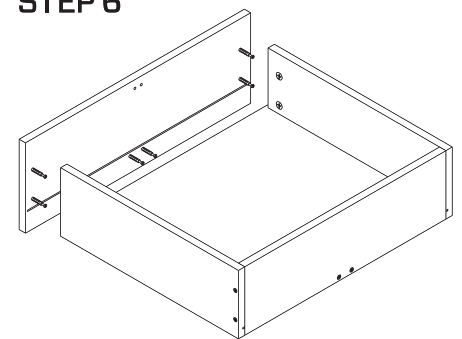
Attach the drawer support rail to the back panel using 50mm screws.

STEP 5



Slide drawer base into grooves located on sides and back of the drawer

STEP 6

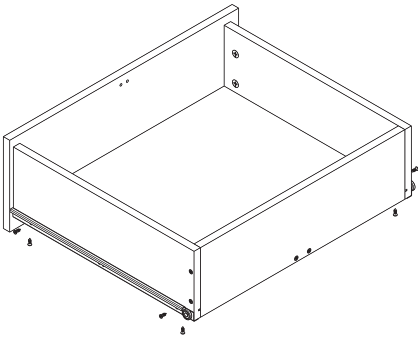


Attach the drawer front to the drawer side panels and the support rail. Tighten cams to secure into place.

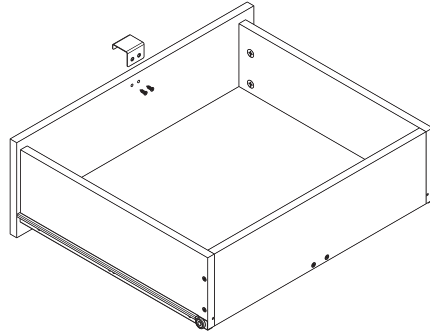


Versa Wardrobe

STEP 7

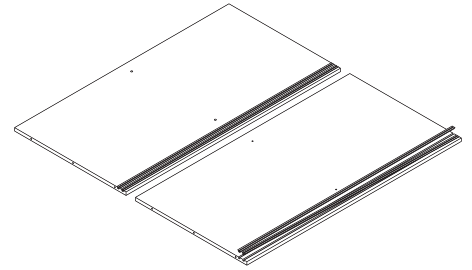


STEP 8



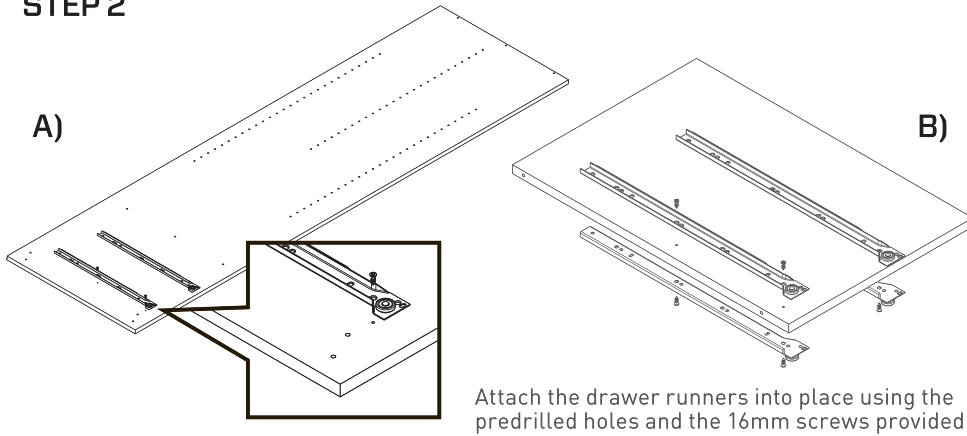
Attach drawer runners to drawer base using 16mm screws

WARDROBE ASSEMBLY STEP 1



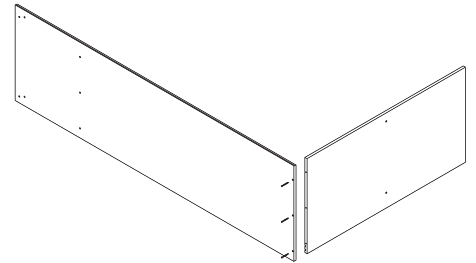
Insert door tracks into rebates in top and base panels.

STEP 2



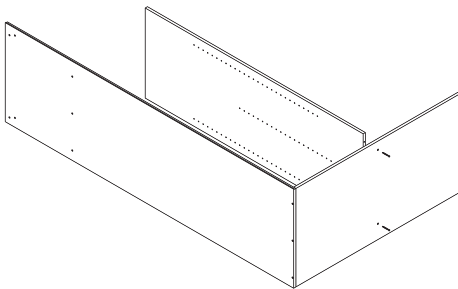
Attach the drawer runners into place using the predrilled holes and the 16mm screws provided

STEP 3



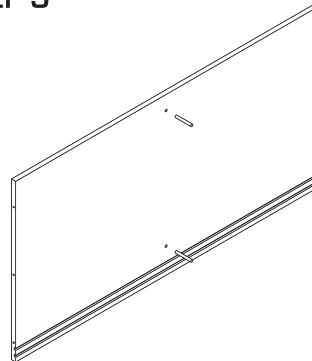
Attach left side panel to top panel using the 50 mm screws provided

STEP 4



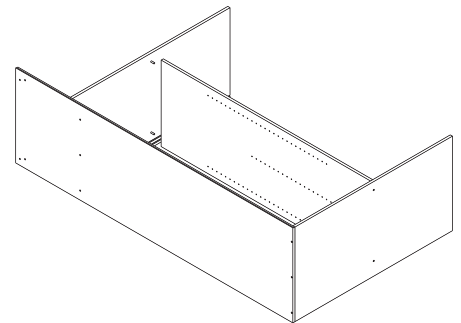
Attach the long divider to the top panel using the 50mm screws provided

STEP 5



Insert wood dowels into base panel with an equal amount protruding from each side

STEP 6.1

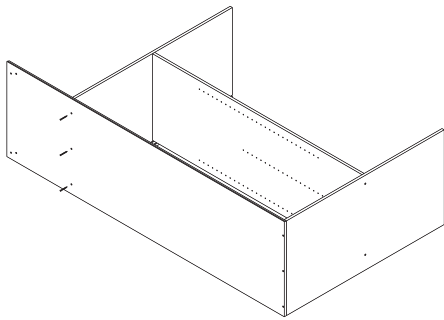


Attach base panel to long divider by inserting dowels into the bottom edge



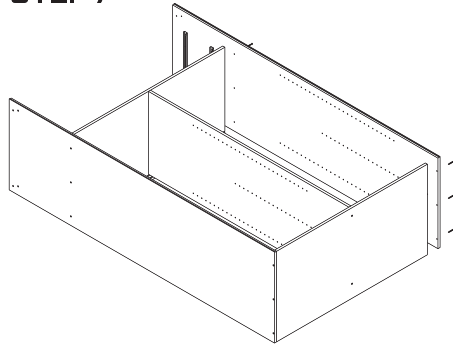
Versa Wardrobe

STEP 6.2



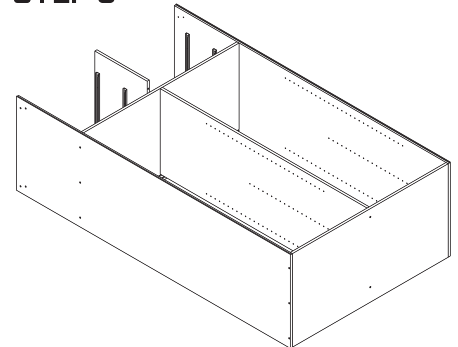
Secure right side panel to top and base panel using 50mm screws

STEP 7



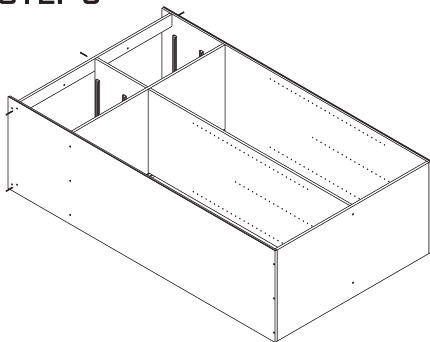
Attach right side panel to top and base panels using 50mm screws

STEP 8



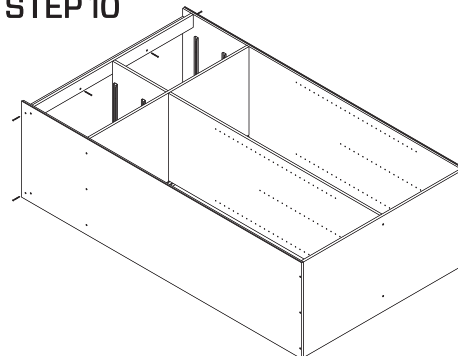
Attach short divider into base panel of wardrobe using wood dowels

STEP 9



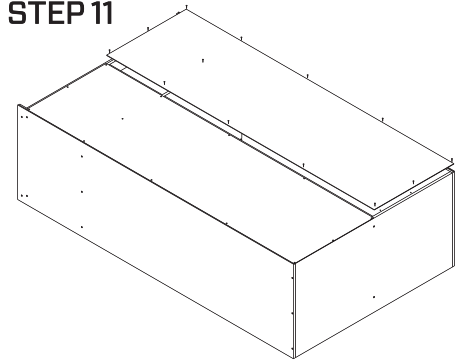
Attach the two bottom support rails using 50mm screws

STEP 10



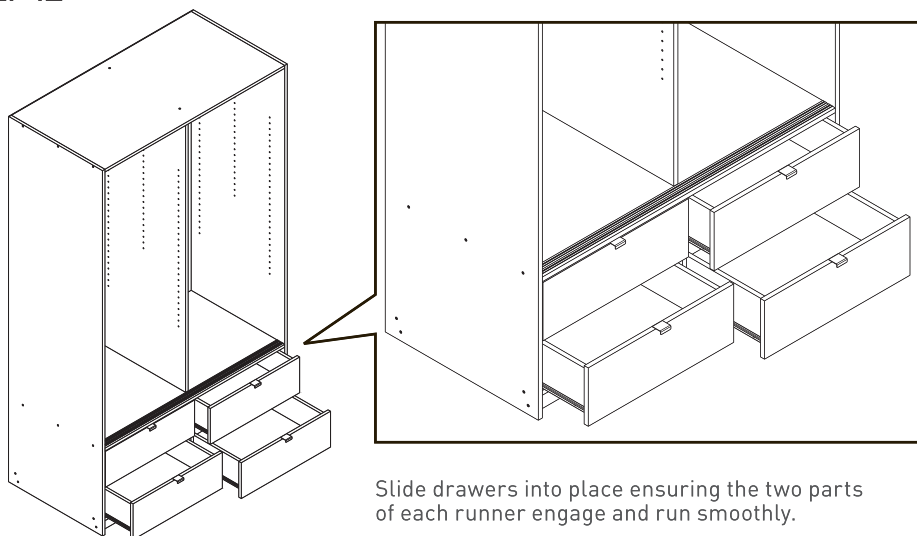
Attach the two kickers to the bottom support rails using 50mm screws

STEP 11



Attach the back panel using 25mm nails. To ensure nails line up properly, mark the location of the base into which they will be hammered.

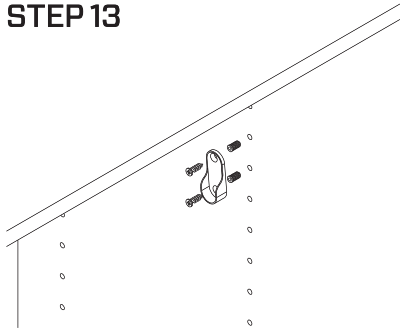
STEP 12



Slide drawers into place ensuring the two parts of each runner engage and run smoothly.

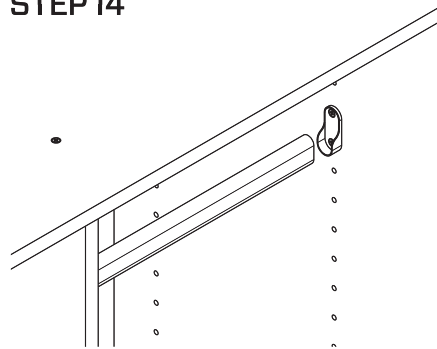
Versa Wardrobe

STEP 13



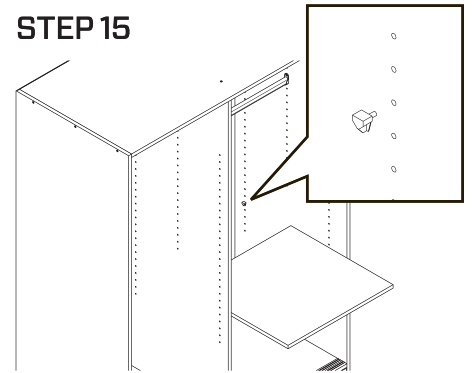
Attach aluminium hanging rail brackets by pushing plastic lugs into holes at the desired height. Screw the brackets into the lugs using 16mm screws

STEP 14



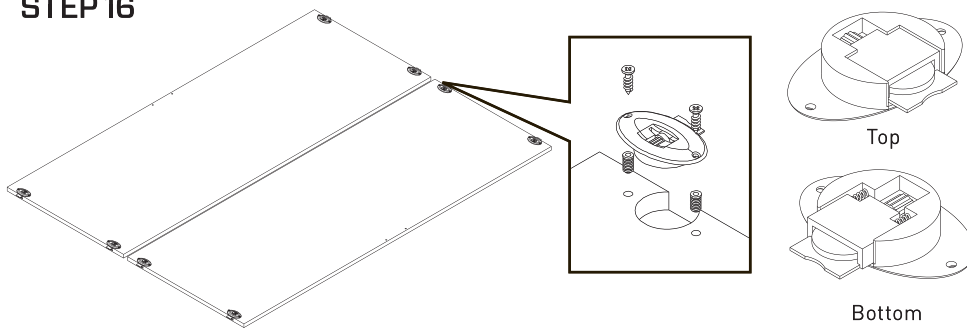
Slide aluminium hanging rail into brackets

STEP 15



Insert plastic shelf supports into pre-drilled holes at the desired shelf heights then slide shelves into place

STEP 16

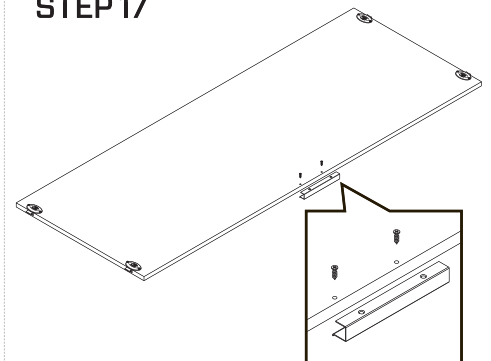


Insert lugs into the screw holes at the top and bottom of the door panels.

Attach door brackets without springs to top of doors using 16mm screws.

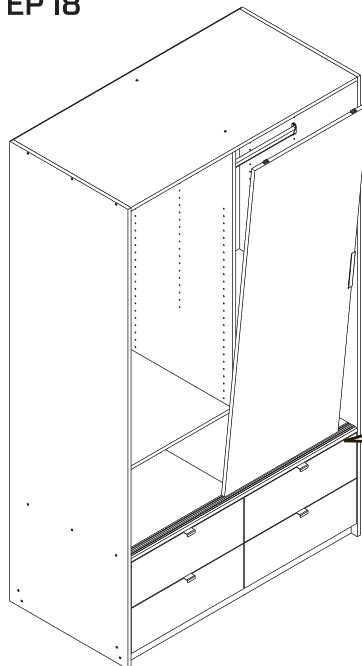
Attach door brackets with springs to bottom of doors using 16mm screws

STEP 17

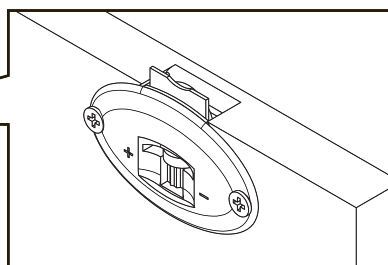


Attach door handles to doors holes using 16mm screws

STEP 18



- A) Place the bottom door bracket into the back sliding track
Press down on the door and push the top into the back sliding track
- B) Repeat process for the front door, placing the bottom bracket into the front sliding track
Press down on the door and push the top bracket into the front sliding rail



note: If necessary, you can rotate the yellow wheel to make the pulley longer to firmly place the door in position longer

