

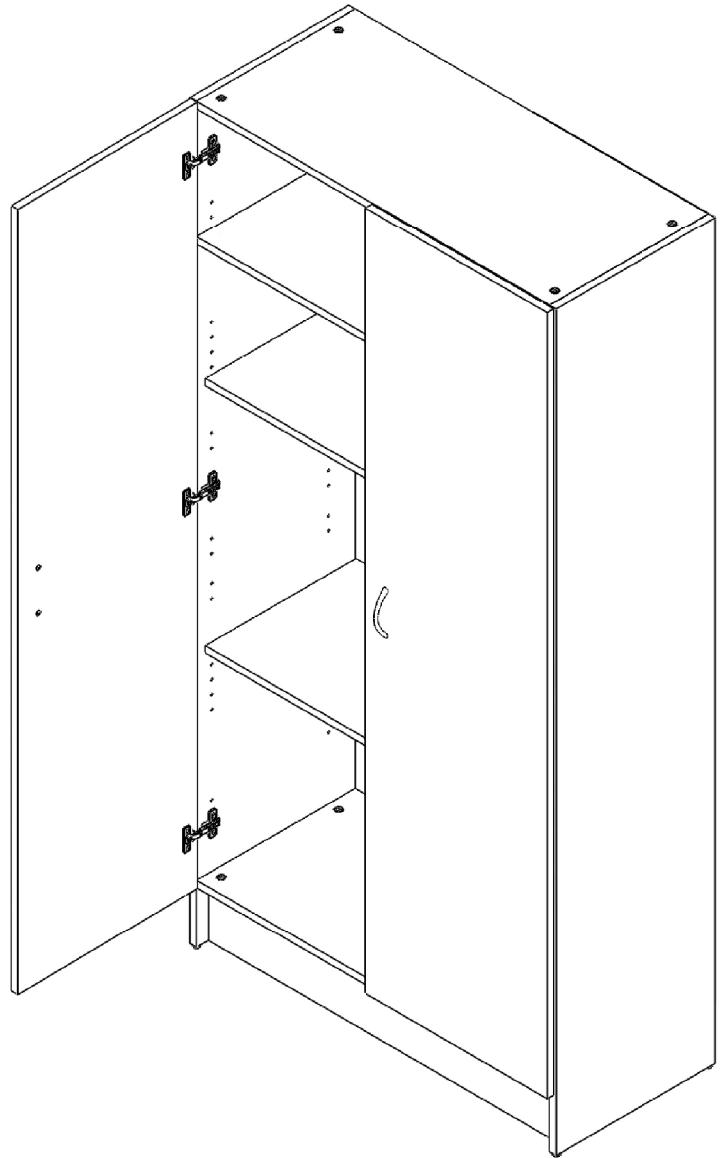
2 Door Tall Unit

IMPORTANT

Before commencing Assembly:

- Read all instructions **COMPLETELY**. Detailed instructions are available by visiting
http://www.bedfordgroup.com.au/business_services/bedford_furniture/product_information
- Hardware kit contains small parts; keep out of reach of children.
- Ensure all listed parts are present.
- Required tools to assemble:
Philips head screw driver, Hammer & Wood Glue.
- Required assembly work surface should be solid, level, clean and flat.
- Ensure all melamine edges are facing to the front of the unit.

Customer Services Enquiries 1800 822 823



Quality
ISO 9001

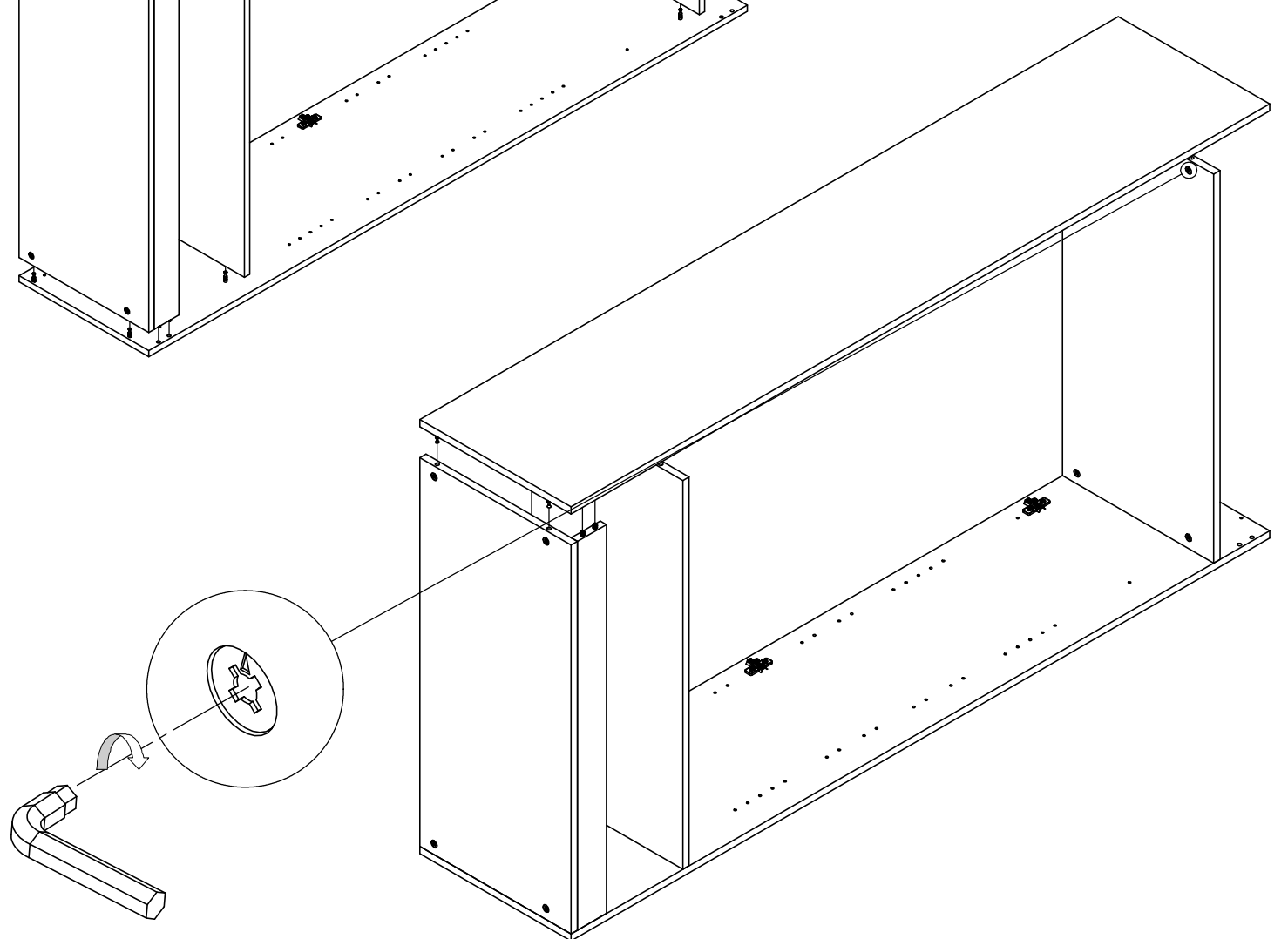
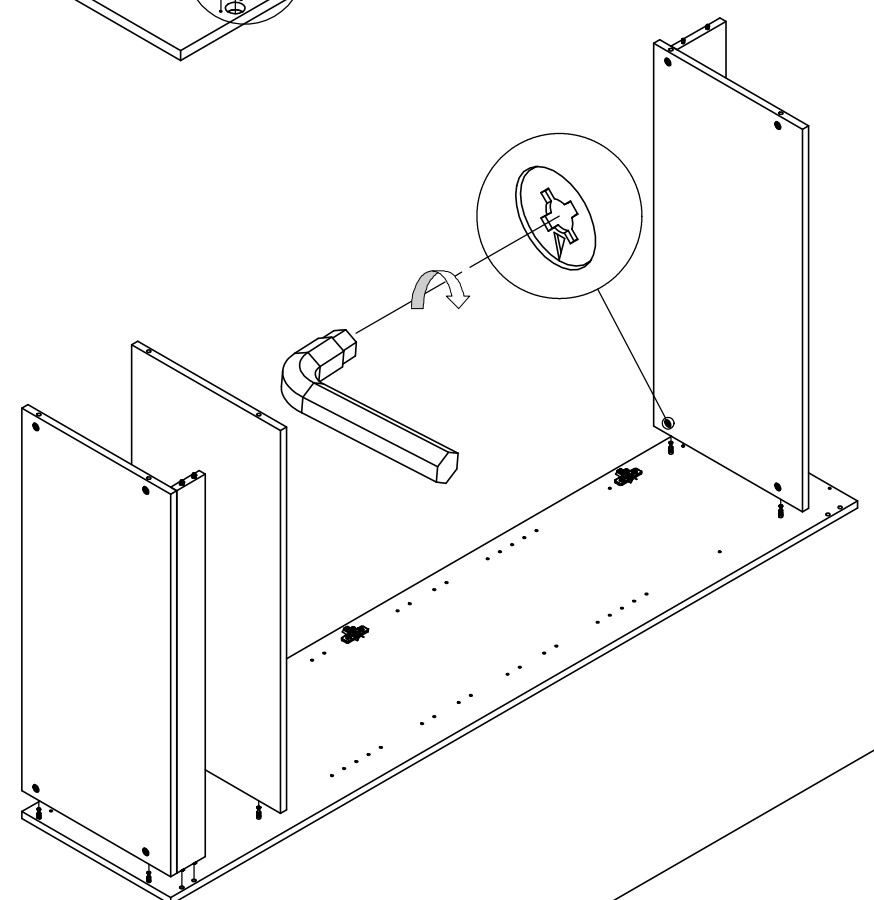
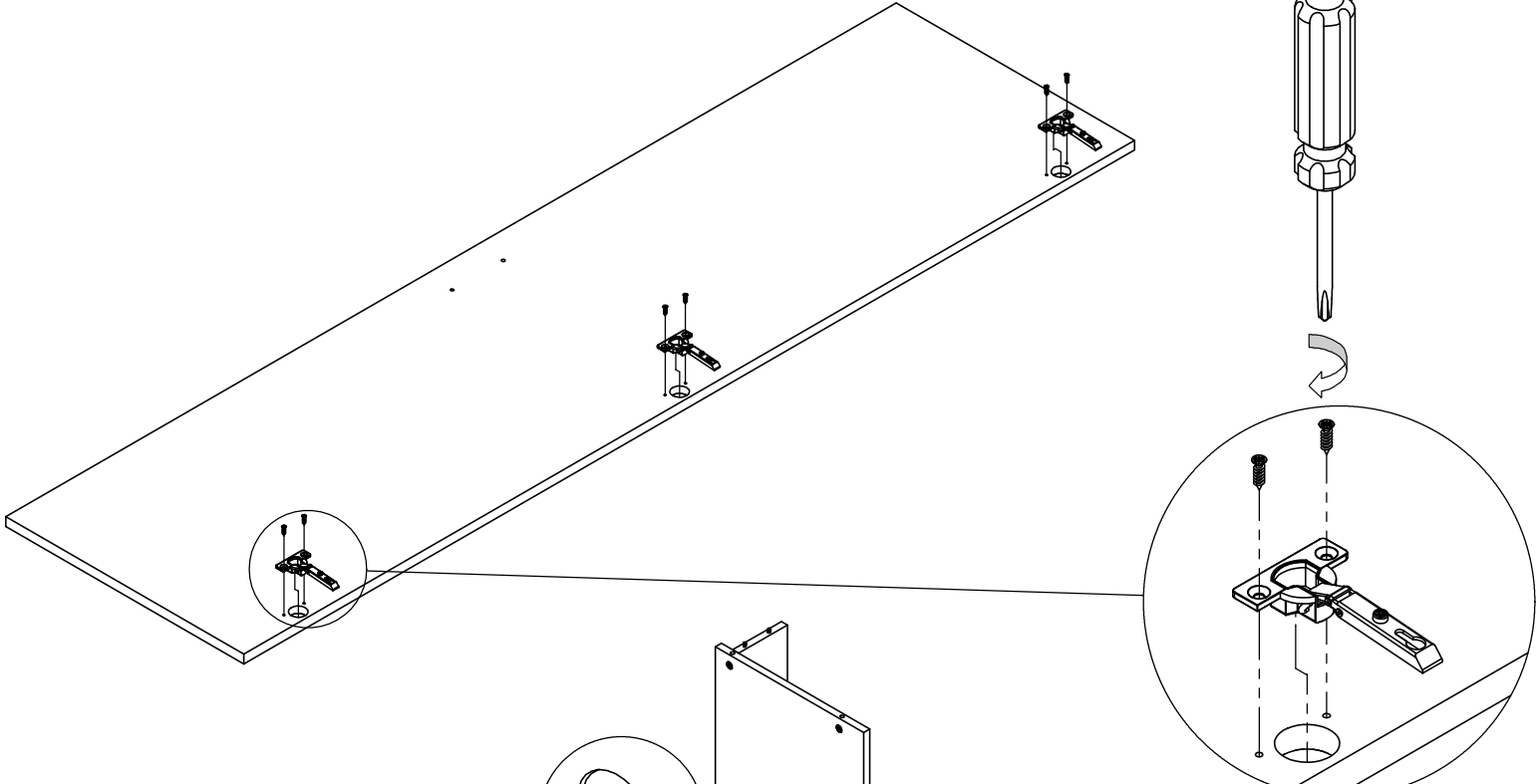
SAI GLOBAL



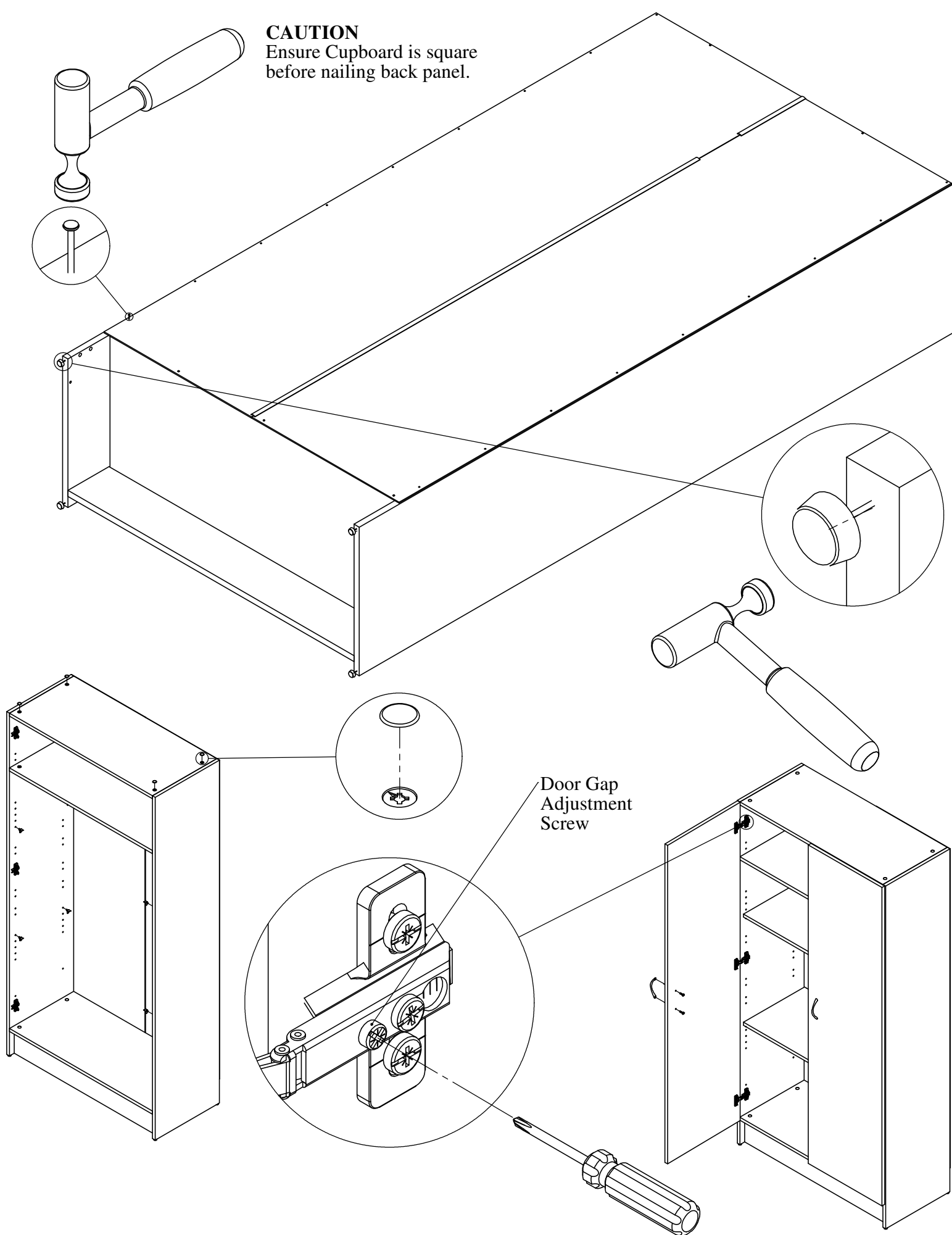
AUSTRALIAN MADE

Practical, Adaptable, Affordable.

READY TO ASSEMBLE HOME STORAGE SOLUTIONS



CAUTION
Ensure Cupboard is square
before nailing back panel.



It is strongly recommended to secure the unit to the wall, otherwise, it may tip forward when opened empty.

Bedford Furniture is part of the Bedford Group. Bedford is a South Australian not-for-profit organisation dedicated to enhancing the lives of people with a disability or disadvantage through employment, training, residential services and life-skills.