



CAT FLAP INSTRUCTIONS



IMPORTANT!
KEEP FOR FUTURE REFERENCE

Warranty Certificate



Congratulations!

You have made an excellent choice of this quality product. Our commitment to quality also includes our service. Should you, contrary to expectations, experience defects due to manufacturing faults, we will provide you with a warranty against defects as follows:

Warranty

The product is guaranteed to be free from defects in workmanship and parts for a period of 3 years from the date of purchase. Defects that occur within this warranty period, under normal use and care, will be repaired, replaced or refunded at our discretion. The benefits conferred by this warranty are in addition to all rights and remedies in respect of the product that the consumer has under the Competition and Consumer Act 2010 and similar state and territory laws.

Our goods come with guarantees that cannot be excluded under the Australian Consumer Law. You are entitled to a replacement or refund for a major failure and for compensation for any other reasonably foreseeable loss or damage. You are also entitled to have the goods repaired or replaced if the goods fail to be of acceptable quality and the failure does not amount to a major failure.

Proof of Purchase

This warranty is valid for the original purchase and is not transferable. Please keep your purchase docket, tax invoice or receipt as the best proof of purchase, and as proof of date on which the purchase was made.

Extent of Warranty

This warranty is limited to defects in workmanship or parts. All defective products or parts will be repaired or replaced. This warranty does not cover batteries or any other consumable items.

Normal Wear and Tear

This warranty does not cover normal wear and tear to the products or parts.

Exclusions

This warranty does not cover:

- Any defects caused by an accident, misuse, abuse, improper installation or operation, lack of reasonable care, unauthorised modification, loss of parts, tampering or attempted repair by a person not authorised by the distributor.
- Any product that has not been installed, operated or maintained in accordance with the manufacturer's operating instructions provided with the product.
- Any product that has been used for purposes other than domestic use.

To Make a Claim

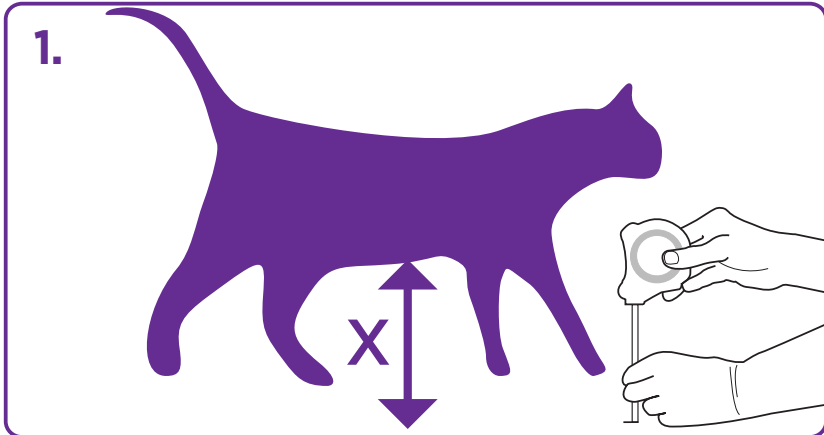
If a defect in the goods appears within 3 years, you are entitled to claim a warranty, please contact via phone or email before you send any warranty claims to:

Perma Products
35 Paringa Road, Murarrie QLD, Australia
Phone: 1300 467 068
www.permaproducts.com

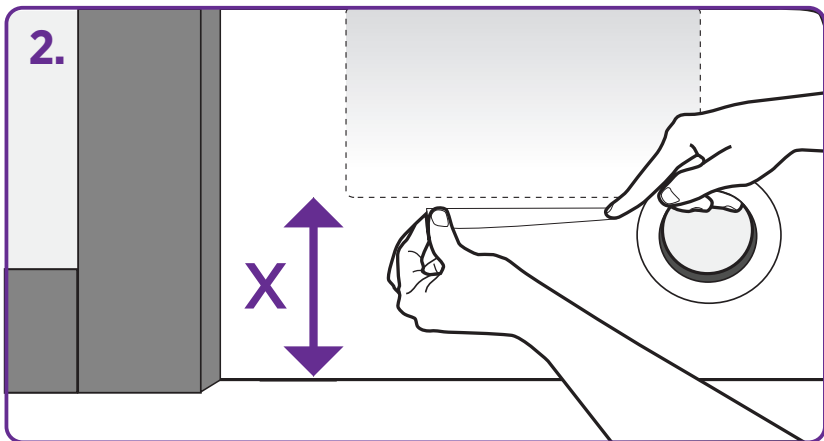
When making a return

- Please ensure the product is properly packaged so as to ensure that no damage occurs to the product during transit.
- Please provide the original or a copy of the proof of purchase. Also please make sure you have included an explanation of the problem.
- Please note that the costs of making a warranty claim, including any returned package, will be covered by the supplier identified above.
- Please note upon receiving your warranty claim, the supplier will send, via the post or email, a repair and refurbished goods or parts notice. Please provide your email address and advise the supplier, if you wish to obtain a repair and refurbished goods or parts notice via email.

Installation Instructions

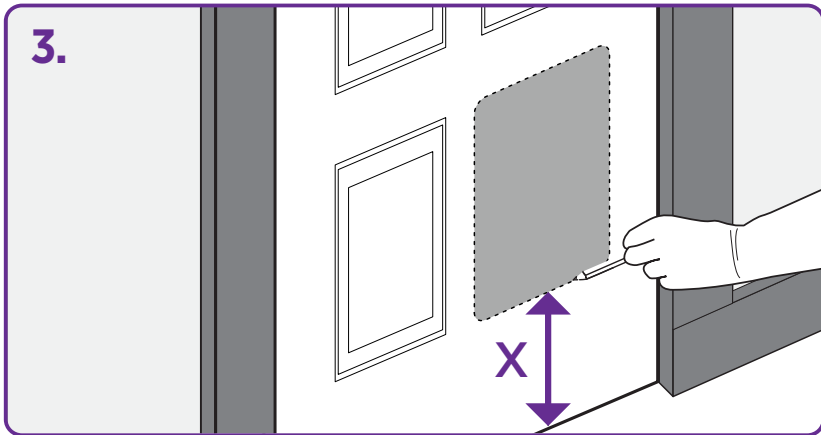


Measure the height (x) from the underside of the cats stomach to the floor.

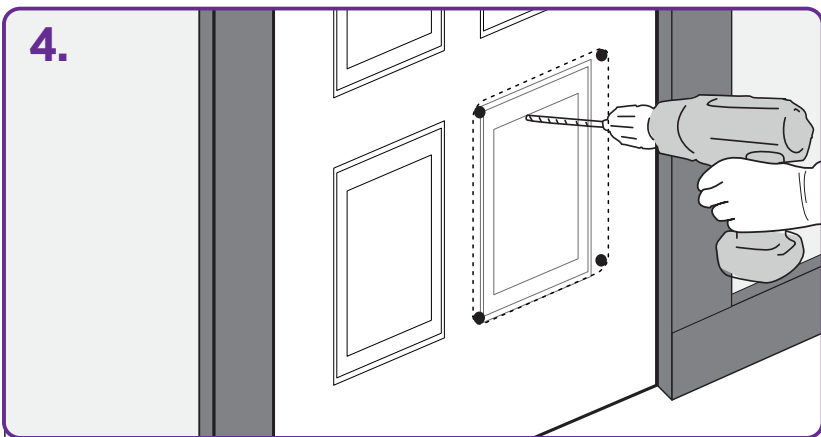


Mark height (x) on door / panel with tape or similar.



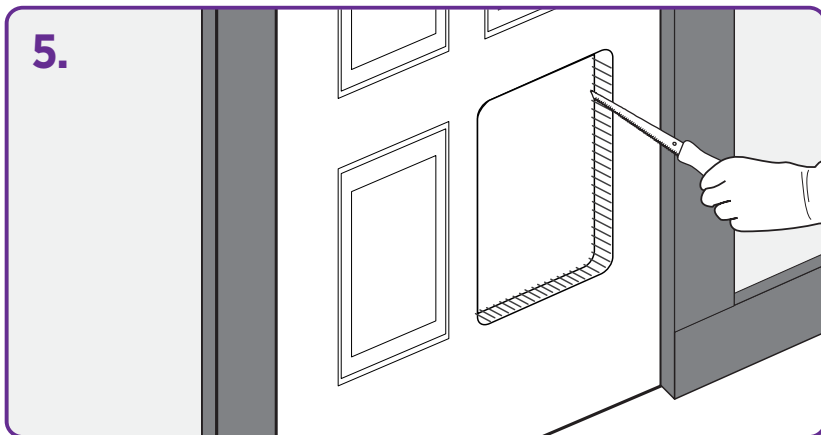


Cut out template supplied in box, line up bottom of cut out with height (x) and trace onto door.

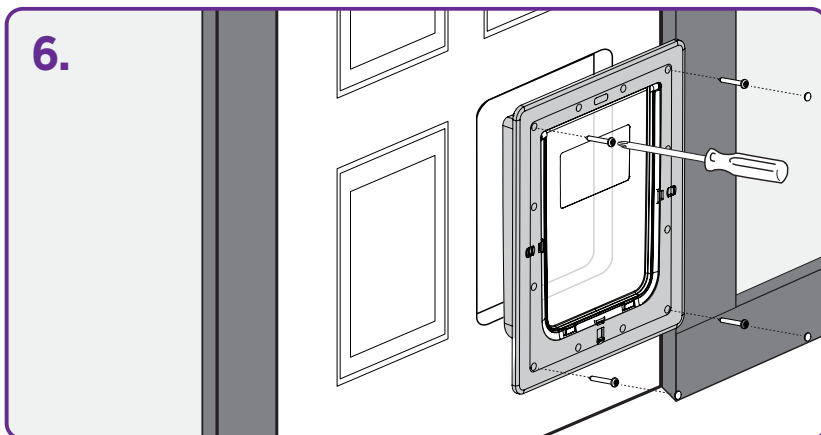


Drill a hole in each of the 4 inside corners with a minimum of 10mm (3/8") drill bit.





Using a reciprocating jigsaw, cut out the opening, cutting along the pencil outline.



Place both frames into the opening and secure with screws and caps provided.

WARNING: Overtightening of screws will cause damage. If screws are too long cut down with a hacksaw.

1. Cats are smart when it comes to finding food so this is a great motive to get your cat to start using the cat flap. Start by using some tape to hold the flap completely open.
2. First feed your cat next to the cat flap, then try putting some food or tasty treats on the other side of the flap. Let your cat watch you place the treats on the other side of the flap.
3. When your cat starts to consistently peek through without hesitation, you can go to the next step, which is to throw the treats a little further. In no time, your cat should be going all the way through the open flap to retrieve its rewards.
4. Now remove the tape holding the flap open. To get your cat used to pushing the door open, hold the door part way open and repeat the food and treats progression. Gradually, over many trials, make the opening smaller and smaller so that your cat has to push more and more to get through.
5. If your cat is hungry enough training should go quickly. Once he figures it's safe to push the flap he'll be going in and out at will. During the training sessions make sure the door never smacks your cat in the rear, a startle could slow the progress you have both worked to achieve.



WARNING

If your home has children as well as pets it is important to remember that children can misuse the pet door and gain access to potential hazards on the other side. You would certainly contravene municipal laws and be found guilty of an offence if there was a swimming pool on the other side of the pet door. You are further advised to be very alert to any future hazards which may occur from time to time on the other side of the pet door such as garden chemicals or insecticides which, even if only put down for a few minutes, would be dangerous to children. Remember that any closing panel or lock provided by Permaproducts with this product is for simple convenience and is certainly not a security device furthermore we will not be responsible or liable for unintended use or misuse. Please remember it is you the purchaser who must at all times be aware of what you have allowed access to by the installation of this pet door. Please think safety and remain vigilant throughout the life of this product as it is you the purchaser who is responsible for any oversight this installation creates.

CAUTION

Before you install this door you must check all your building codes or body corporate rules that could affect the installation of a pet door. You should also check with a qualified builder or tradesperson that the installation you intend is suitable and safe within the chosen location. This is neither a fire door or security door and it is imperative that you the purchaser consider any risks that may be created both inside and outside after installation of your pet door. Please think safety and don't forget to consider future risks that could be brought about by changes elsewhere on your property.

NOTE

Keep these warnings and cautions with any other important documents within your home and give them to any new owner, tenant or guest so that they too can be made aware of the responsibilities that come with having a pet door within the premises.

©2014 Permastik Pty Ltd.
All Rights Reserved.

Distributed by Perma Products™
35 Paringa Road, Murarrie QLD, Australia.
Phone: 1300 467 068
www.permaproducts.com
Made in China to Perma quality standards

Product Codes
#1120, #1150