

GARDENSHED

1.51W x 0.77D x 1.52Hm



www.pinnacle.net.au

Flat Roof Series

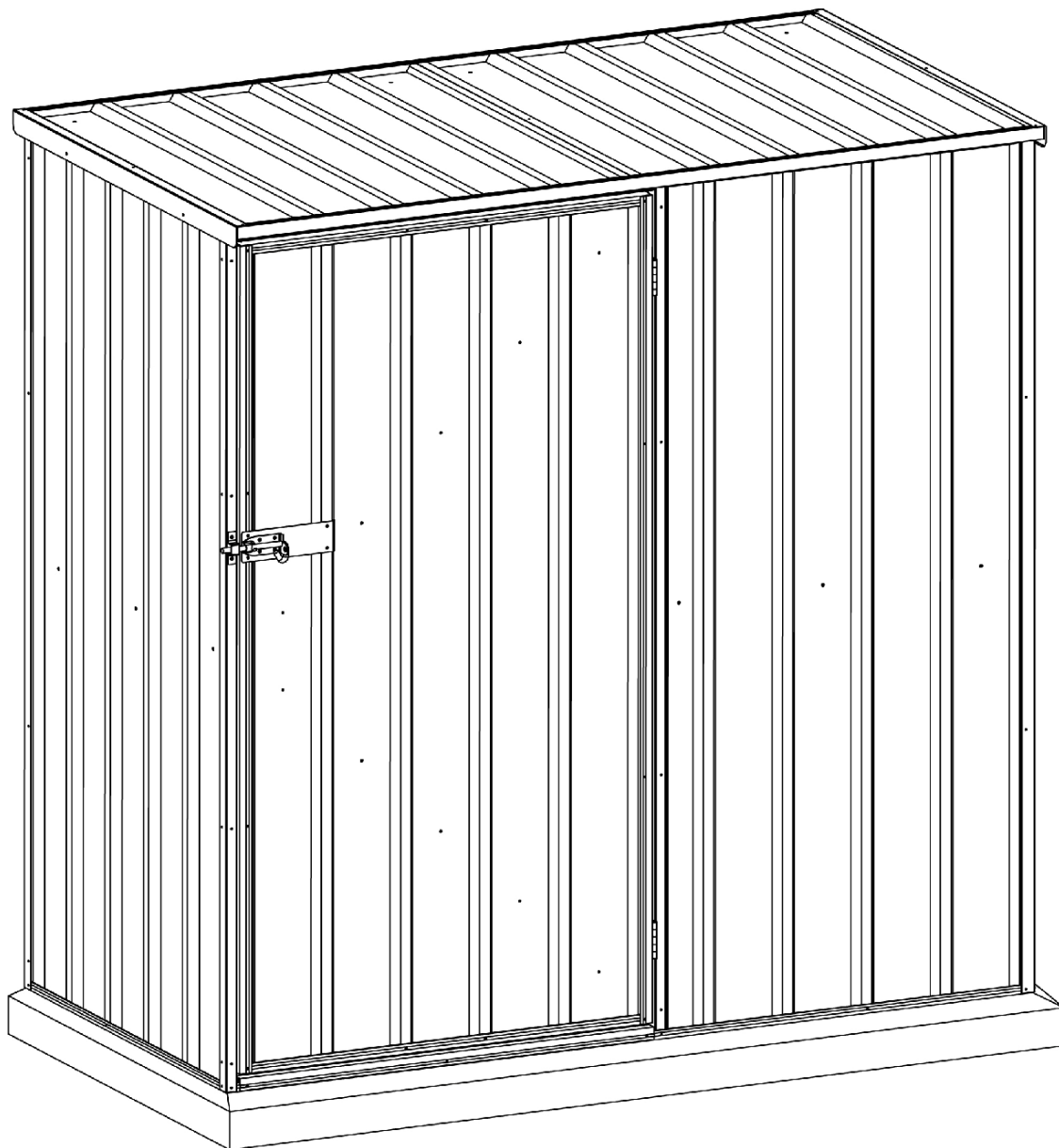
Assembly instructions

Check out our
shed building
tips on YouTube!



AU: 1800 349 776

NZ: 09 276 4071



Congratulations on purchasing your new Pinnacle garden shed. Before assembling, we recommend you read the instructions thoroughly. Your new garden shed comes with pre-drilled holes to make assembly quicker. We recommend you assemble it using a trestle table or sawhorses and planks. This will ensure that you are working off the ground and make it easier for you.

Assembly of this shed is a two-person job and should not be attempted in windy conditions.

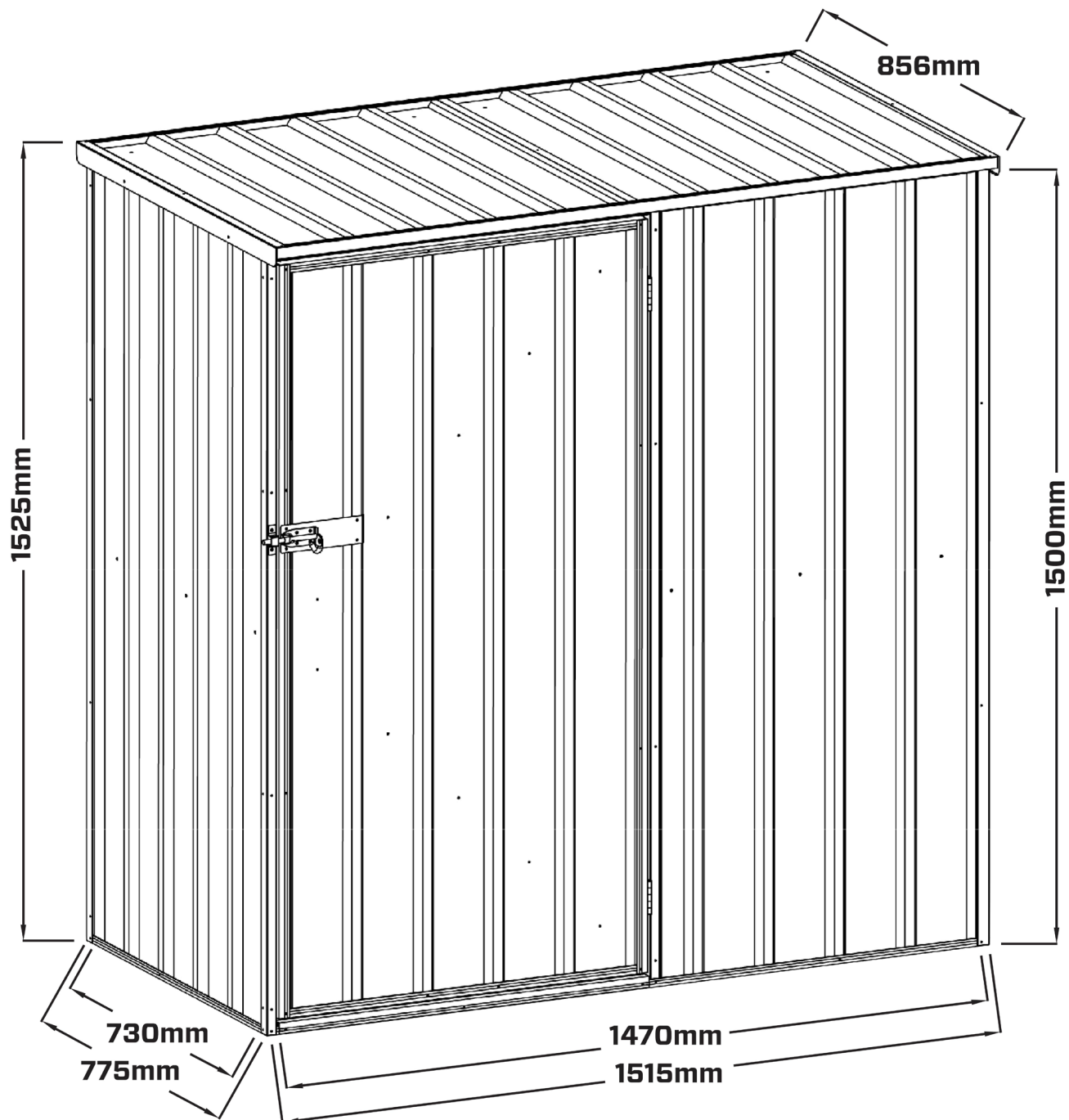
SAFETY TIP:

When assembling or installing this product wear protective gloves and eyewear.

Tools required: Drill, measuring tape, Phillips-head screw driver, rivet gun, rubber mallet, sturdy ladder, shifting spanner, 2 saw horses, 3mm steel drill bit, 4mm steel drill bit and a 10mm masonry drill bit.

GARDENSHED 1.51W x 0.77D x 1.52Hm

Dimension overview:



Outer base dimensions	1515 x 775 mm
Inner base dimensions	1470 x 730 mm
Wall height	1500 mm
Peak height	1525 mm
Roof width	856 mm
Door opening dimensions	1440 x 746 mm

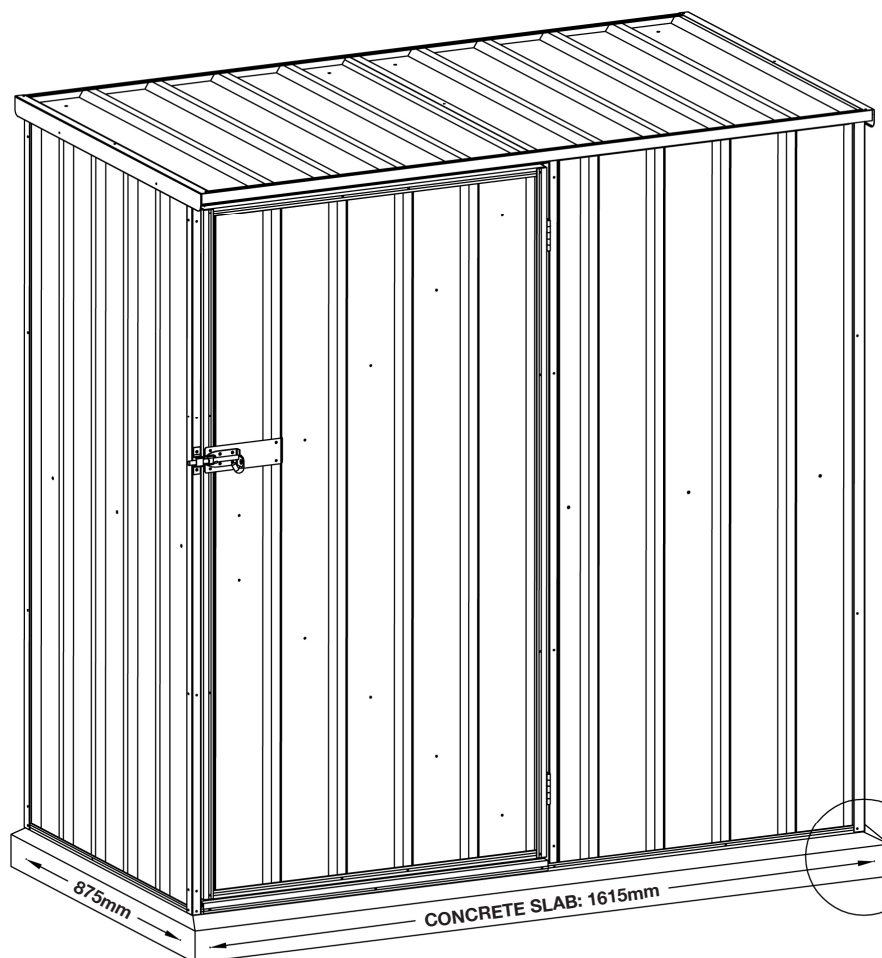
Build your garden shed in 7 easy steps!

- Step 1:** Check all parts against the component list
- Step 2:** Assemble the rear wall panels
- Step 3:** Assemble the side wall panels
- Step 4:** Assemble the roof panels
- Step 5:** Assemble the front wall panel
- Step 6:** Assemble the front door
- Step 7:** Fit the panels together

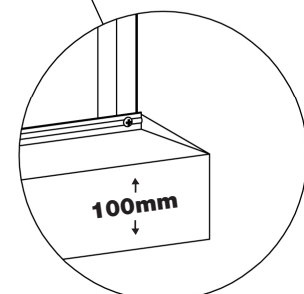
Warning: Do not assemble this shed on a windy day.

Warning: This shed must be fully assembled and anchored to a concrete slab using the supplied bolt down kit in one session/day. The shed must not be left partly assembled.

Assembly recommendations: We recommend a minimum of two people are needed to assemble this shed.



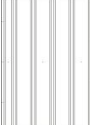

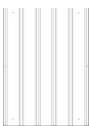
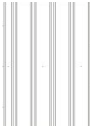
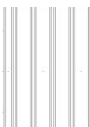

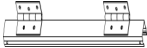





Concrete slab: Please ensure that your site is level. It is recommended that your slab is 100mm thick and you use builder's plastic and F52 reinforcing mesh. We recommend that you make your slab 100mm bigger than the base dimensions of your garden shed. This will allow for a 50mm edge around your garden shed. We recommend that you slope the 50mm edges downward by 10mm so that rainwater can drain away from your garden shed.





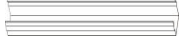










GARDENSHED 1.51W x 0.77D x 1.52Hm


Step 1: Check all parts against the component list

Lay out all parts with number facing outwards and check off against parts list.





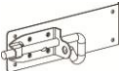




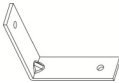

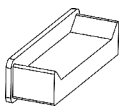
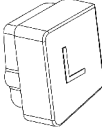


Picture	Description	Component	Location	Part No.	QTY	Check
	Sheet	Sheet 1500x770mm	Rear wall	14N	2	
	Sheet	Sheet 1500x770mm	Side wall	14M	2	
	Sheet	Sheet 855x770mm	Roof	3A	2	
	Sheet	Sheet 1500x708mm	Front	S74	1	
	Door sheet	Sheet 1443x770mm	Door	D32	1	
	Channel	Channel 1443mm	Door	81H	1	
	Channel	Channel 1443mm	Door	81G	1	
	Channel	Channel 768mm	Door	M26	2	
	Brace	Brace 955	Door	U17	2	
	Channel	Channel 1508mm	Roof	20A	2	
	Channel	Channel 1508mm	Rear	20B	1	
	Channel	Channel 1508mm	Rear	20C	1	

Picture	Description	Component	Location	Part No.	QTY	Check
	Channel	Channel 1508mm	Front	20D	1	
	Channel	Channel 1508mm	Front	20E	1	
	Channel	Channel 768mm	Side	21B	2	
	Channel	Channel 768mm	Side	21F	2	
	Channel	Channel 775mm	Front	23	1	
	Channel	Channel 1458mm	Rear	31	1	
	Channel	Channel 718mm	Side	32	2	
	Channel	Channel 674mm	Front	33R	1	
	Jamb	Jamb 1498mm	Front	J27	1	
	Jamb	Jamb 1498mm	Front	J28	1	
	Jamb	Jamb 775mm	Front	42	1	
	Jamb	Jamb 1498mm	Corners	Z24	3	
	Jamb	Jamb 1498mm	Corners	Z31	1	

GARDENSHED 1.51W x 0.77D x 1.52Hm

Picture	Description	Component	Location	Part No.	QTY	Check
	Lip	Lip 856mm	Roof	50A	2	

Fittings part list:

Picture	Component	QTY	Picture	Component	QTY	
	Self-tapping screws (10mm)	130		Self-tapping screws (16mm)	10	
	4.0 x 10mm Rivet	6		3.0 x 10mm Rivet	30	
	Pad bolt (Part 70)	1		Keeper (Part 71)	1	
	Bracket	5		5/16" x 19mm Hexagonal bolt	5	
	5/16" Hexagonal Nut	5		Mid wall bracket (Part 72)	3	
	Screw safety cover	25		Plastic stopper	4	
	Left channel safety cover	1		Right channel safety cover	1	
	Sleeve anchor bolt	5				

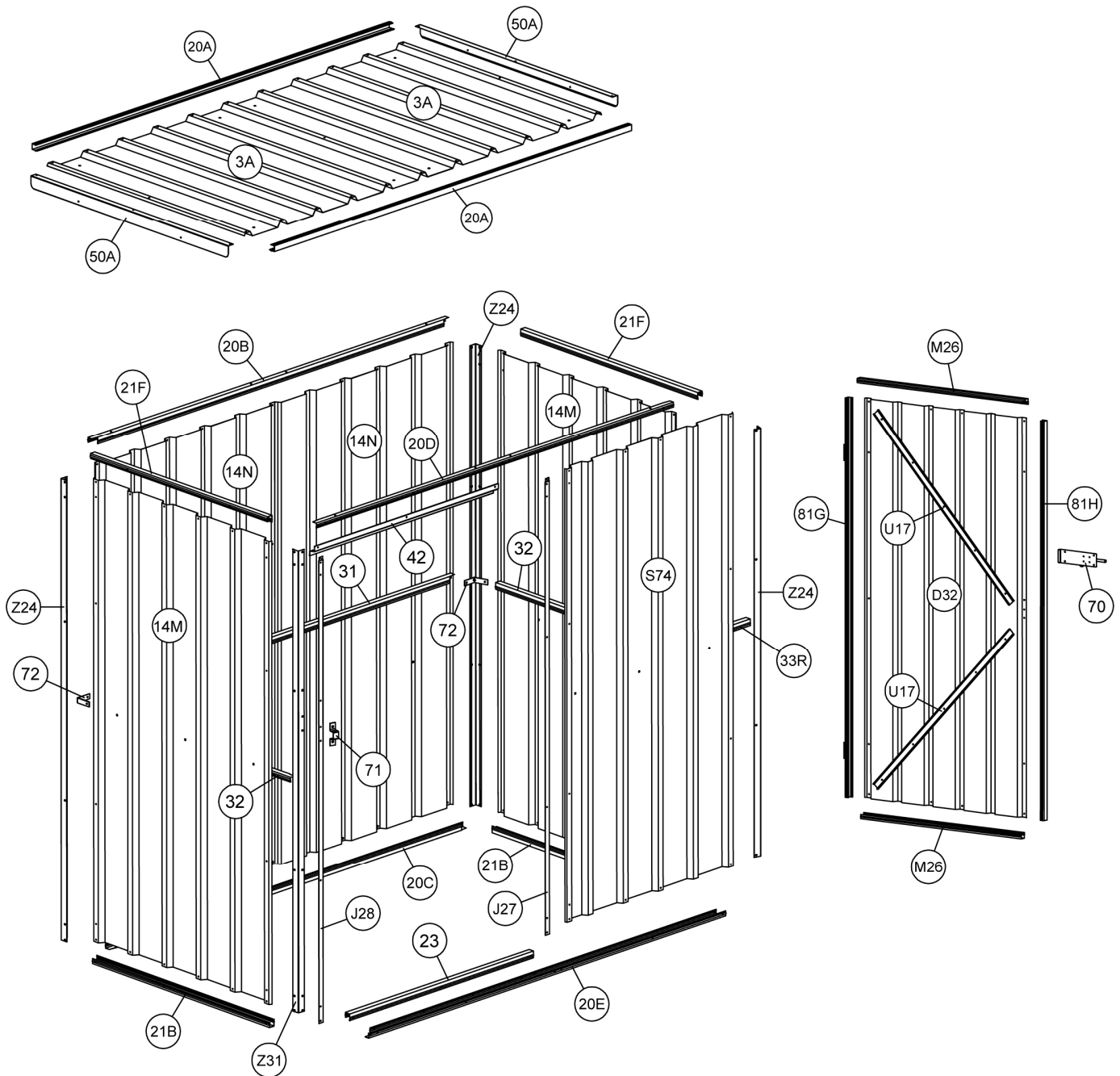
Qty checking date: ___ / ___ / ___

Qty checking personal badge number: _____

Signature: _____

In the unlikely event that you find you are missing a part, Australian customers please contact Pinnacle on 1800 349 776. New Zealand customers please contact Harco (Harkness & Young Ltd) on: 09 276 4071. A copy of proof of purchase may be requested.

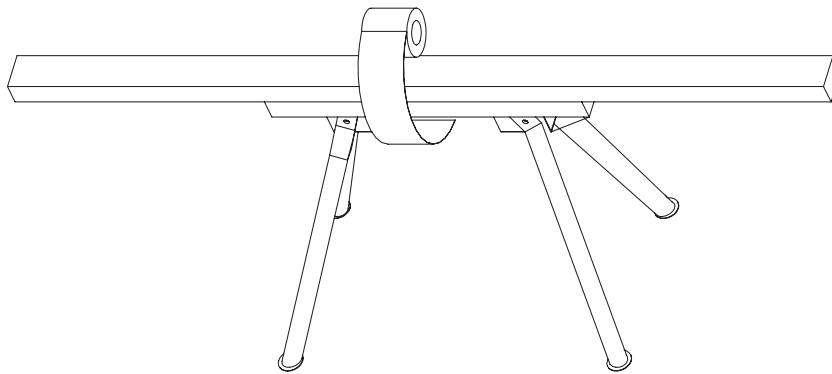
Garden shed overview:



GARDENSHED 1.51W x 0.77D x 1.52Hm

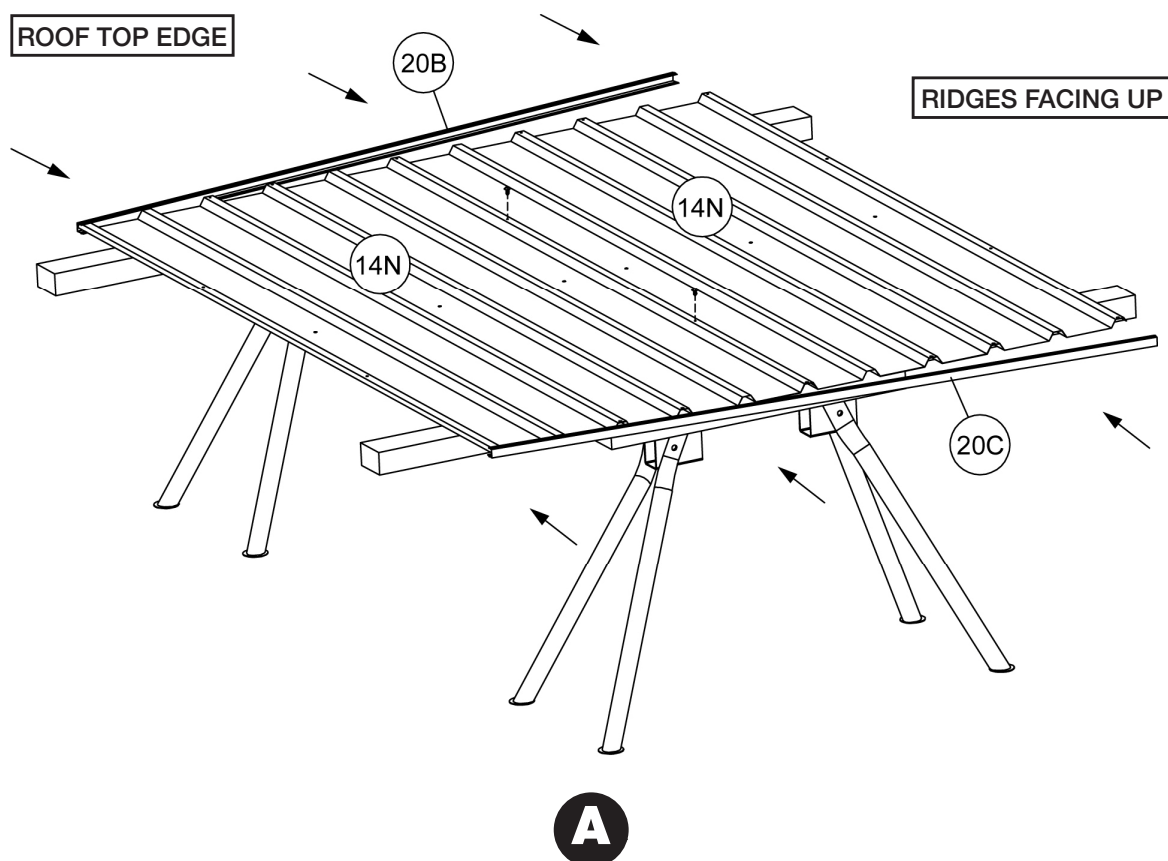
Step 2: Assemble the rear wall panels

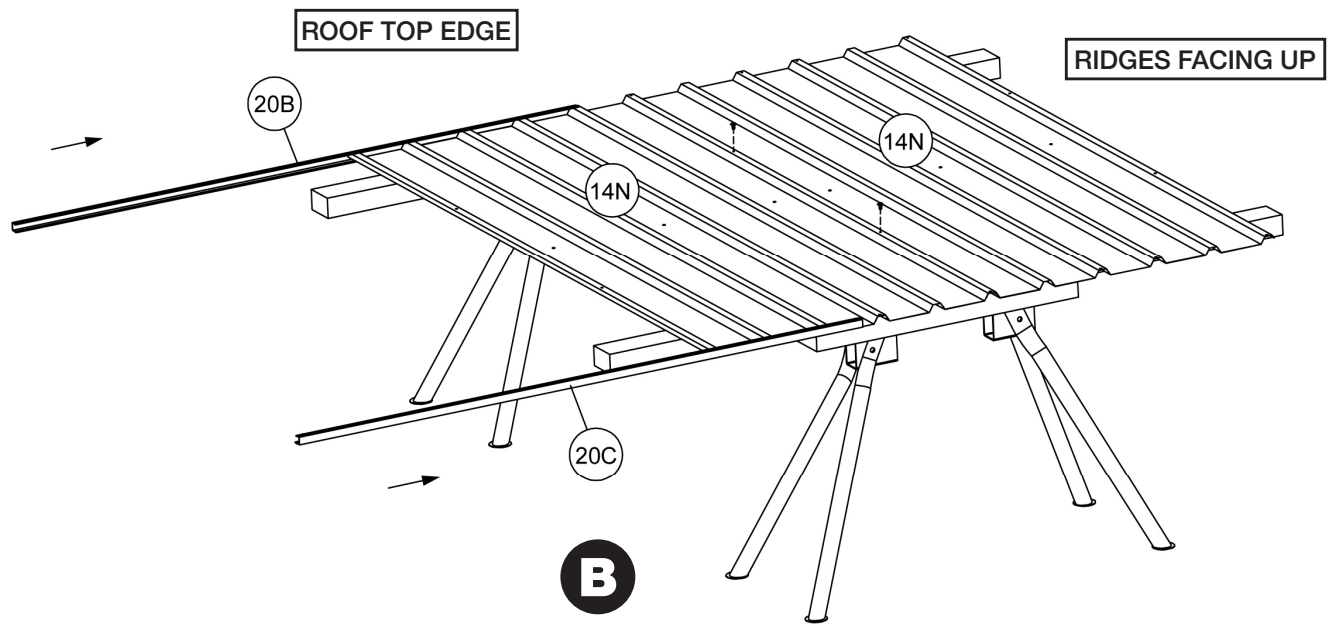
For easier assembly of your garden shed use sawhorses with timber studs as per diagram below (timber needs to be the same length as the shed panels (1.5 M)) or alternatively, use a trestle table.



Place 2x part 14N (sheets) on your worktable and join together with the self-tapping screws as per the diagram below.

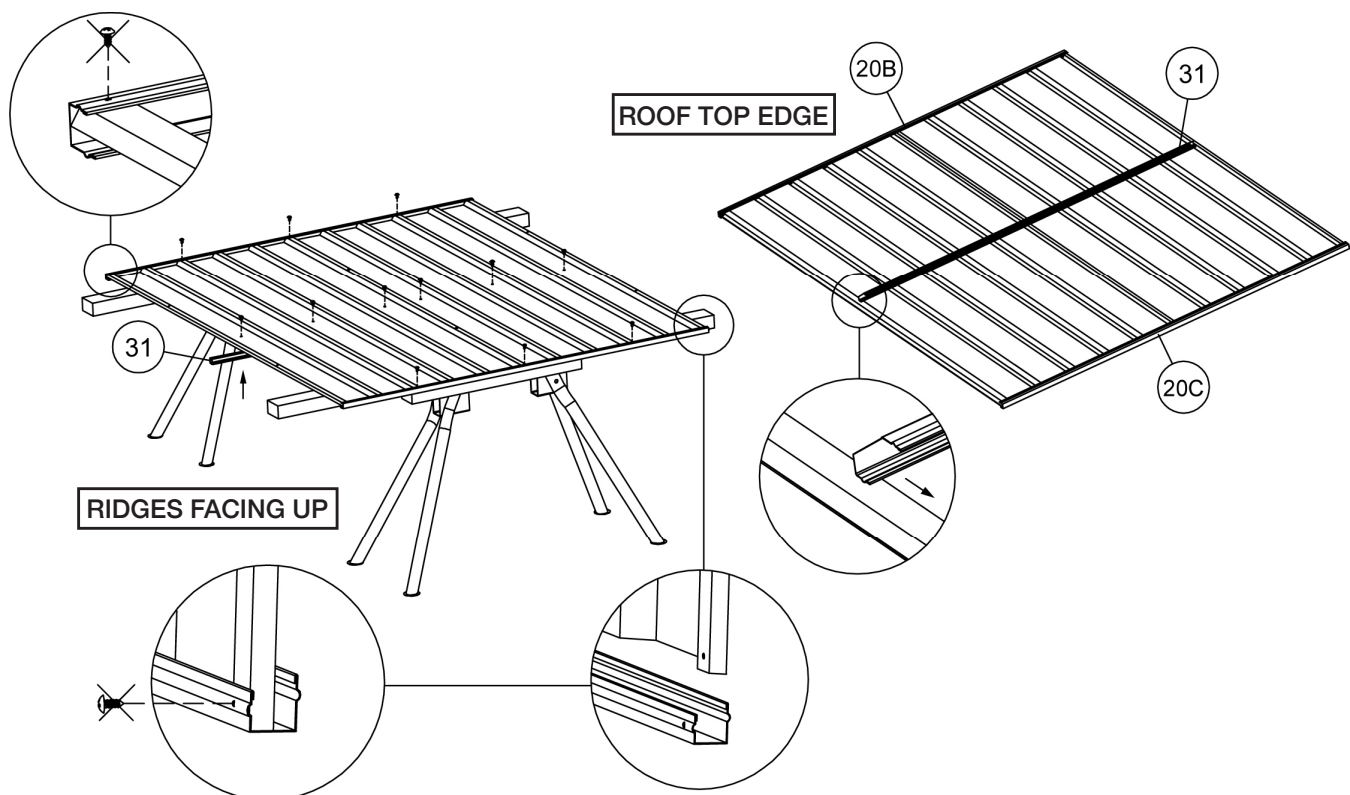
Now fit parts 20B (top channel) and 20C (bottom channel) onto the sheeting by tapping it in (diagram A) or sliding it in (diagram B). Make sure the small lip of the channel is always facing out. This ensures water cannot build up inside your garden shed.





Step 2: Assemble the rear wall panels (continued)

Now position part 31 (mid wall channel) on the inside of the wall panel and fix with the provided screws. Please ensure mid wall channel is fixed through the front of the wall panel (ridges facing up). Do not fix screws with a cross mark in the diagram below at this stage.

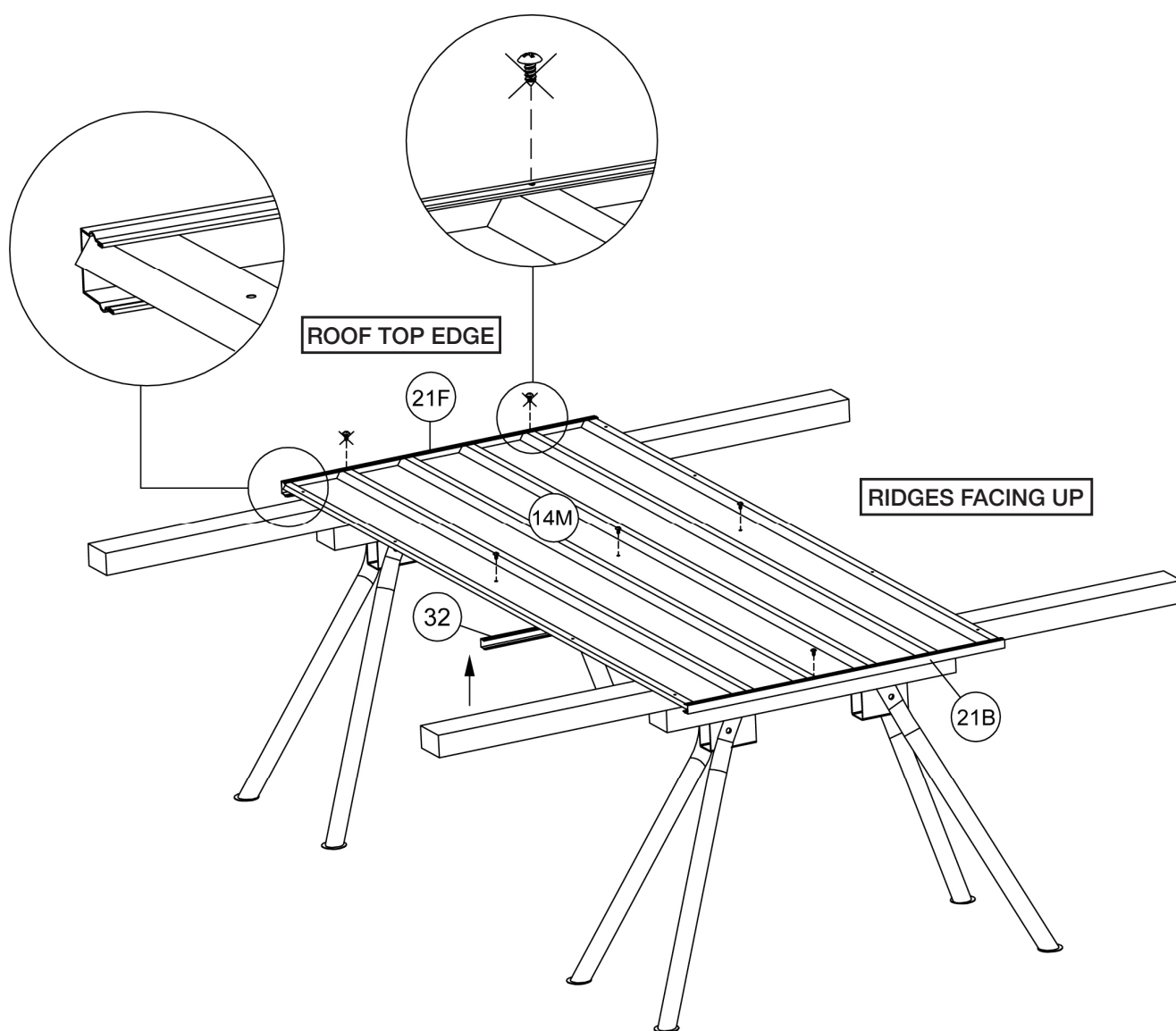


Tip: If panel and screw holes do not line up, try pulling panel to match up holes.

GARDENSHED 1.51W x 0.77D x 1.52Hm

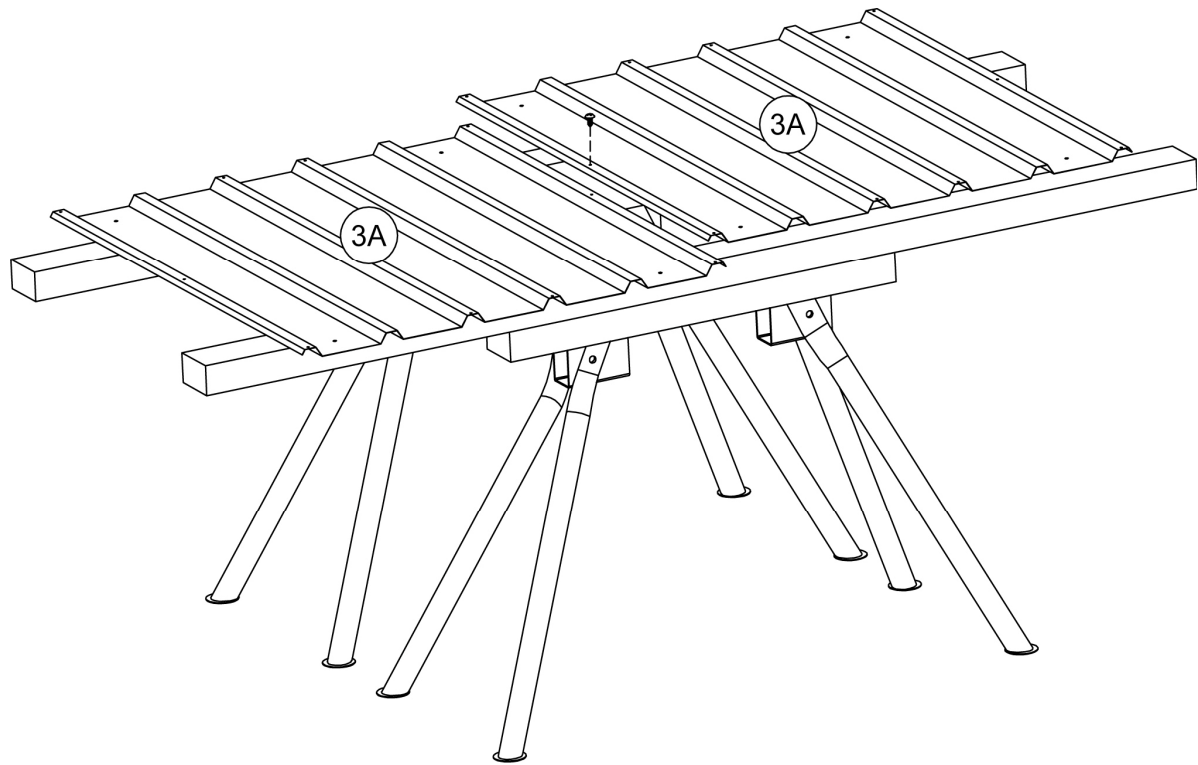
Step 3: Assemble the side wall panels

Place part 14M (sheet) on your worktable and tap or slide on parts 21F (top channel) and 21B (bottom channel). Fix part 21B (bottom channel) with self-tapping screws but not part 21F (top channel) at this stage. Make sure the small lip of the channels is always facing out. This ensures rain water cannot build up inside your shed. **NOTE:** All screws marked with a cross should not be fixed at this stage.

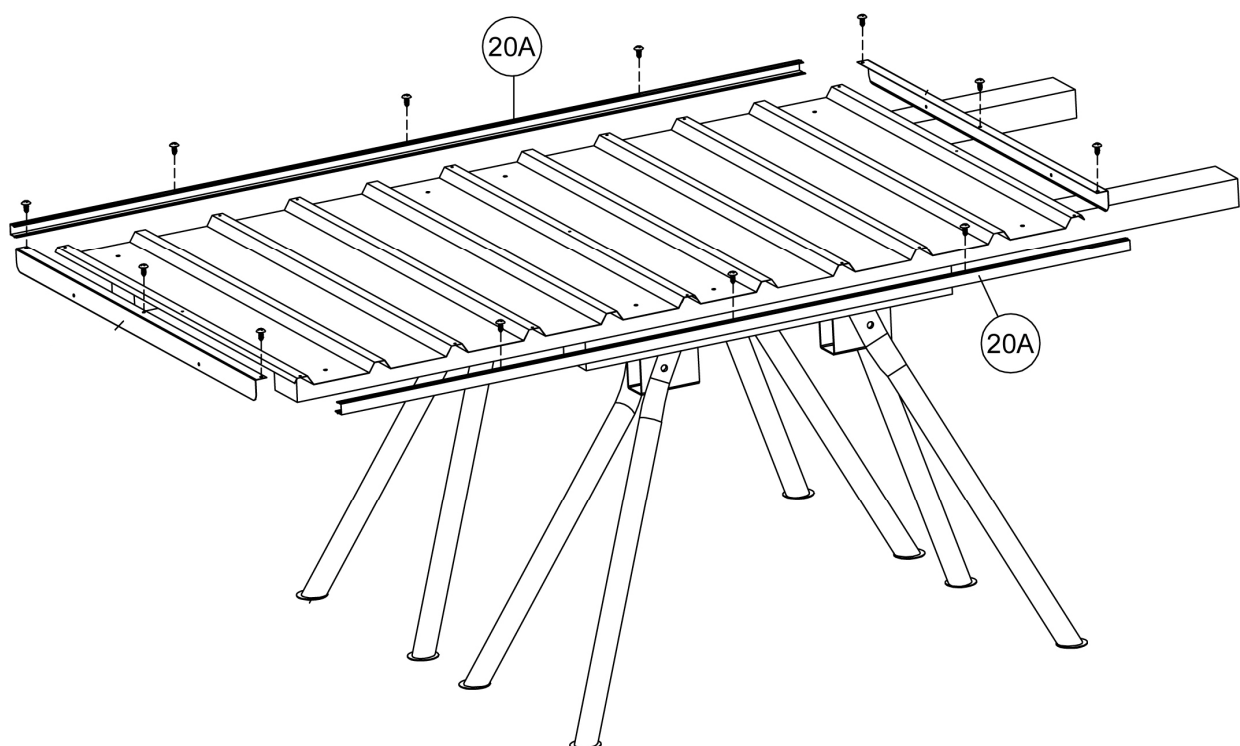


Step 4: Assemble the roof panel

Place 2x part 3A (sheeting) on your worktable and join together with the self-tapping screws as per the diagram below.



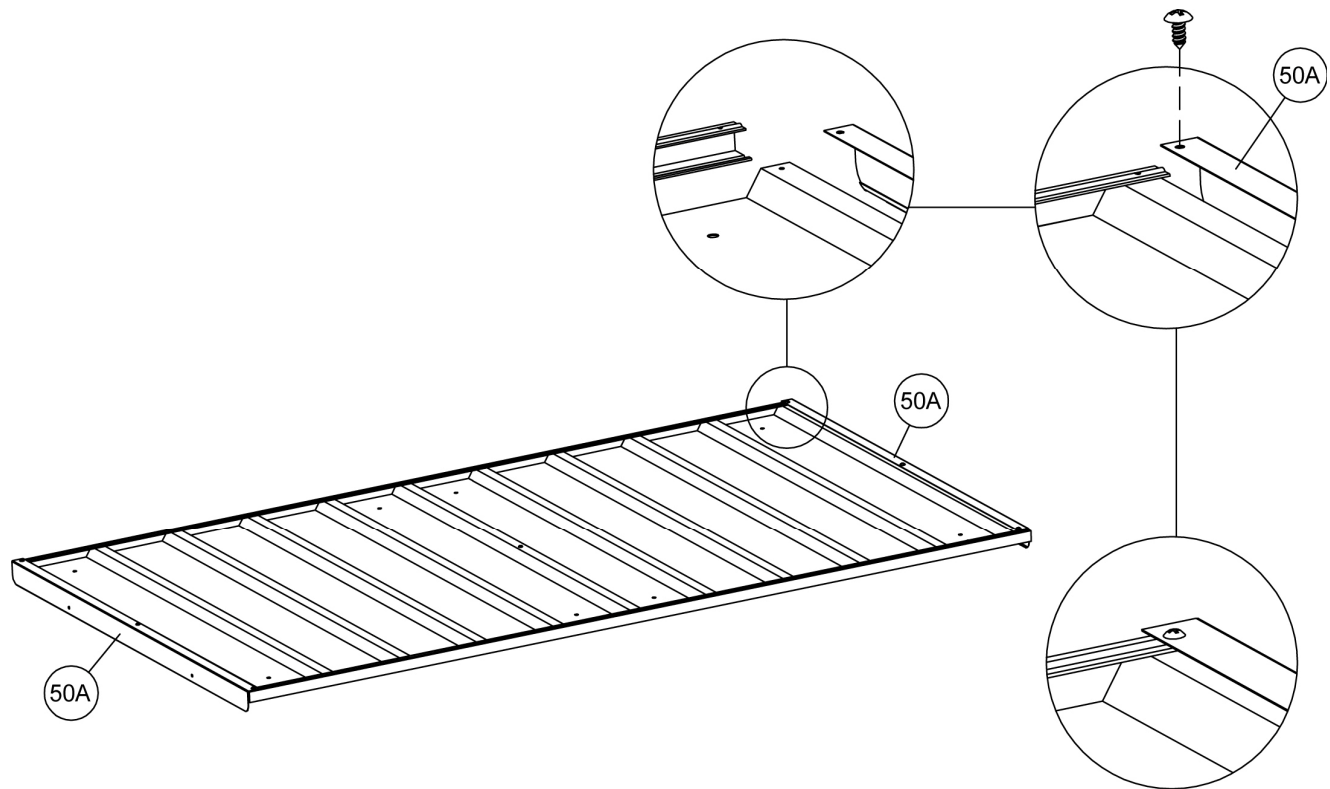
Now tap or slide 2x part 20A (channels) onto the sheeting and fix them to the top and bottom with self-tapping screws. Make sure the small lip of the channels is always facing out. This ensures rain water cannot build up inside your fowl house.



GARDENSHED 1.51W x 0.77D x 1.52Hm

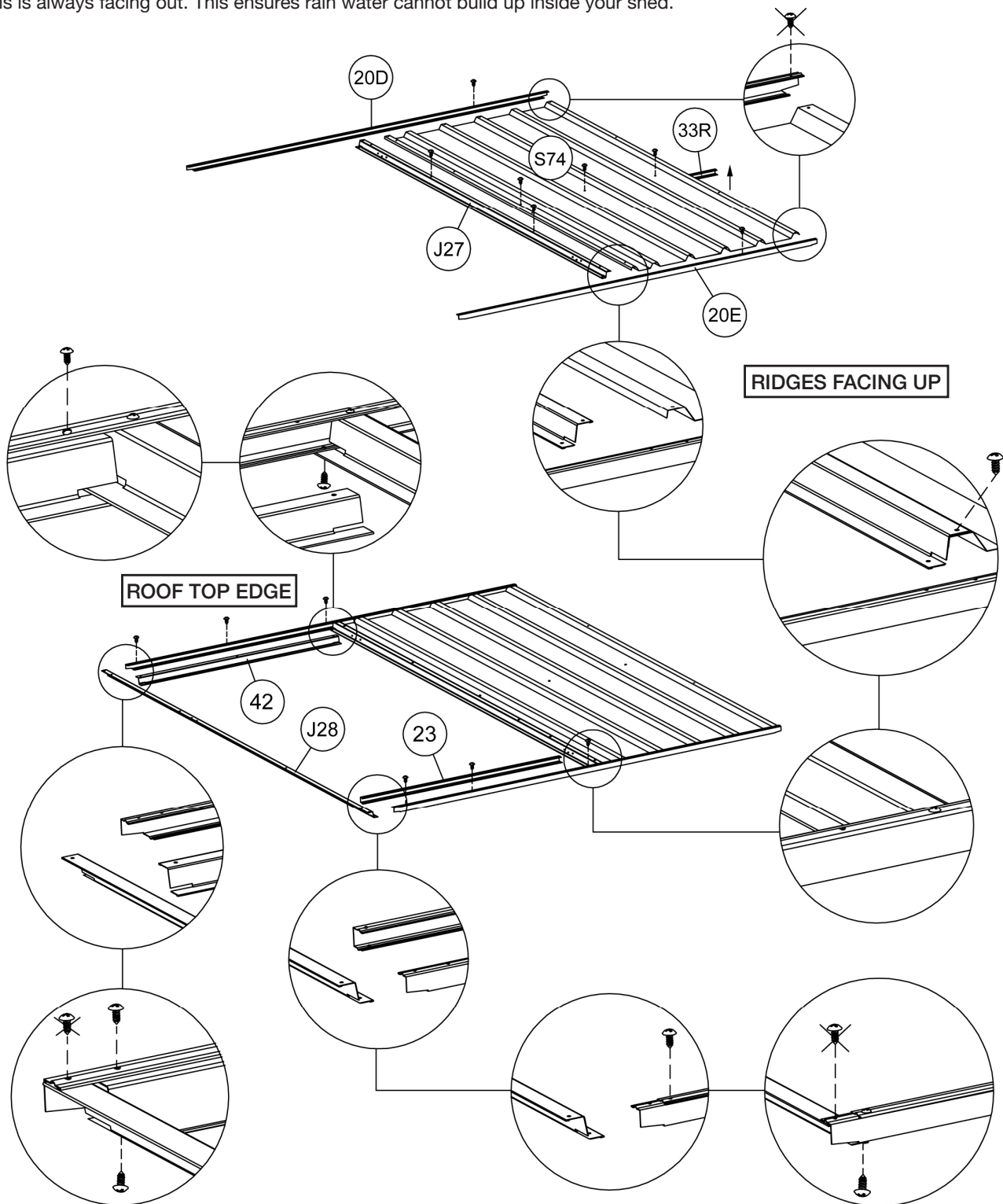
Step 4: Assemble the roof panel (continued)

Now fit 2x part 50A (side lips) to the sheeting and fix them with self-tapping screws.



Step 5: Assemble the front wall panels

Place part S74 (sheet) on the worktable then fit parts 20D (top channel), 20E (bottom channel), J27 (jamb) and 33R (mid wall channel) with self-tapping screws. Do not fix screws with a cross mark in the diagram below at this stage. Make sure the small lip of the channels is always facing out. This ensures rain water cannot build up inside your shed.

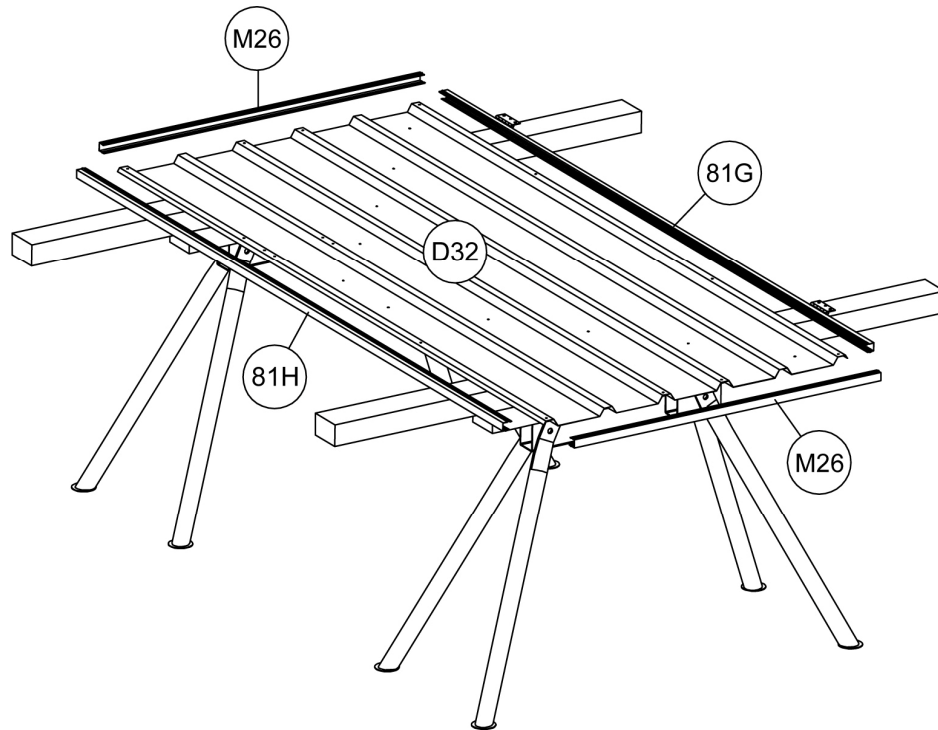


Fix parts J28, 42 (Jambs) and part 23 (bottom channel) with the provided self-tapping screws. Do not fix screws with a cross mark in the diagram above at this stage. Make sure the small lip of the channels is always facing out. This ensures rain water cannot build up inside your shed.

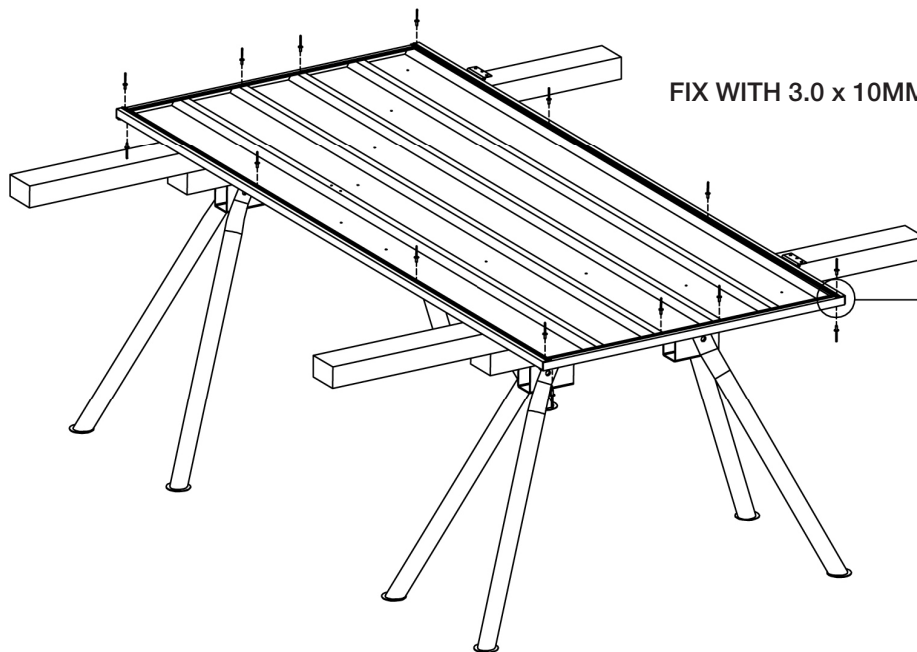
GARDENSHED 1.51W x 0.77D x 1.52Hm

Step 6: Assemble the front door

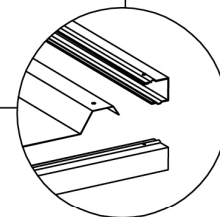
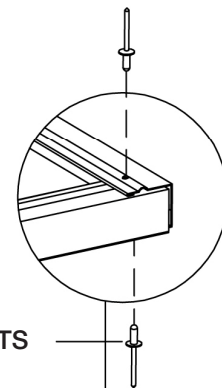
Place D32 (door sheet) on your worktable and fix 2x parts M26, part 81H and 81G (channels) with the provided 3.0x10mm rivets.



ROOF TOP EDGE

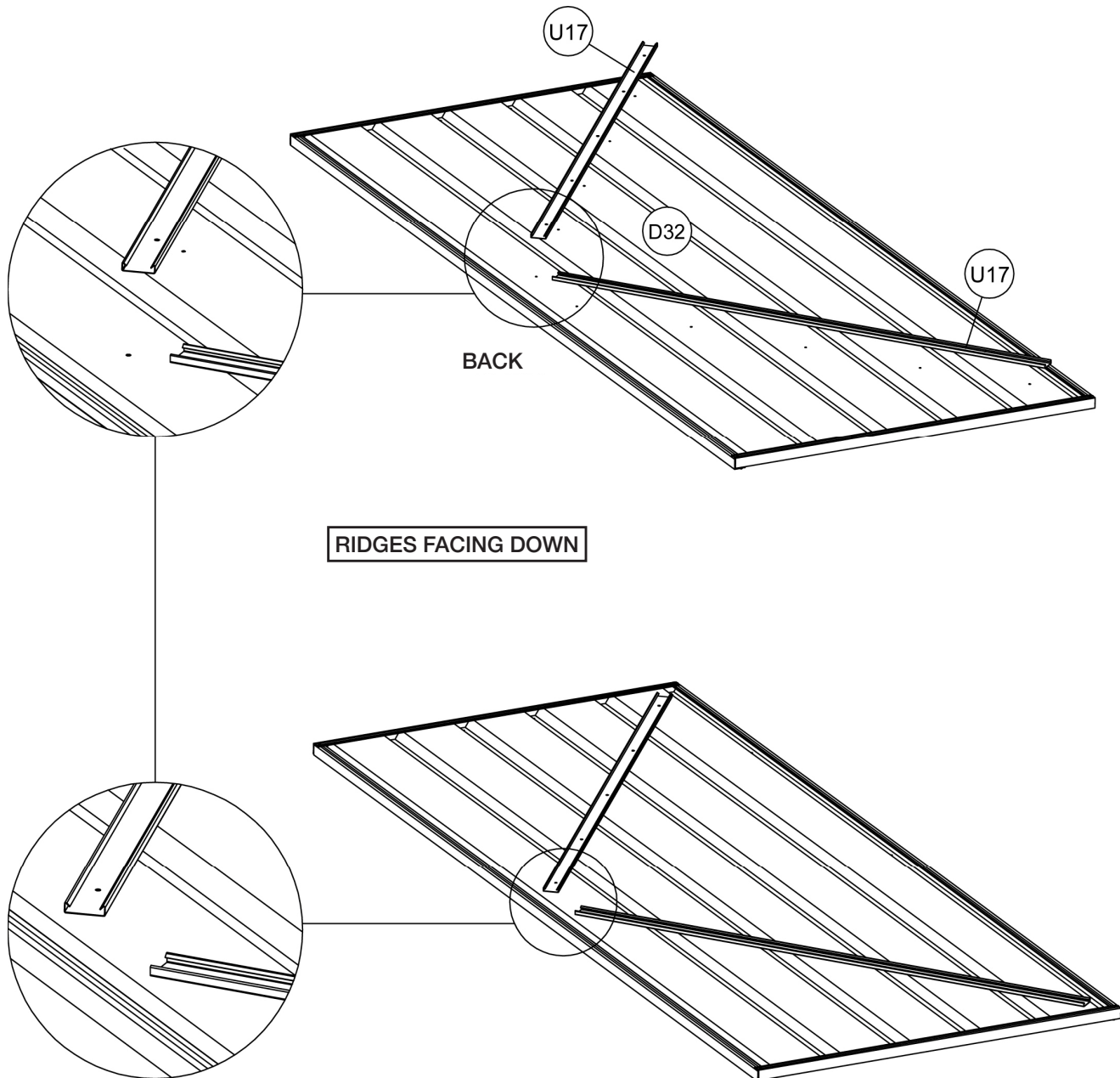


FIX WITH 3.0 x 10MM RIVETS



Step 6: Assemble the front door (continued)

Once channels are attached line up 2x part U17 (bracing) on the inside of your door panel. Please ensure ridges are facing down.

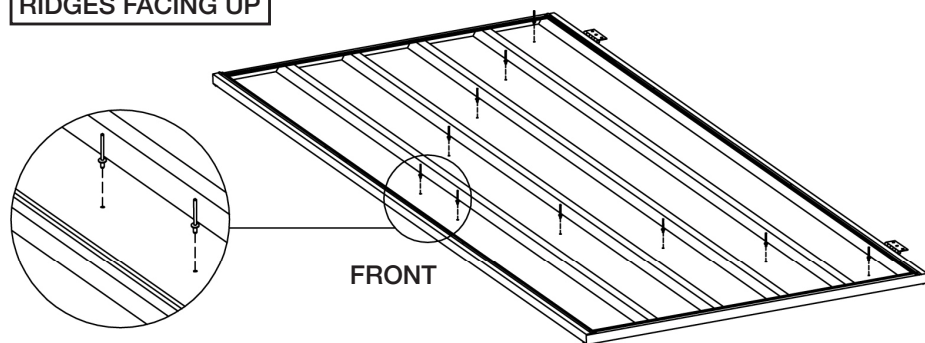


GARDENSHED 1.51W x 0.77D x 1.52Hm

Step 6: Assemble the front door (continued)

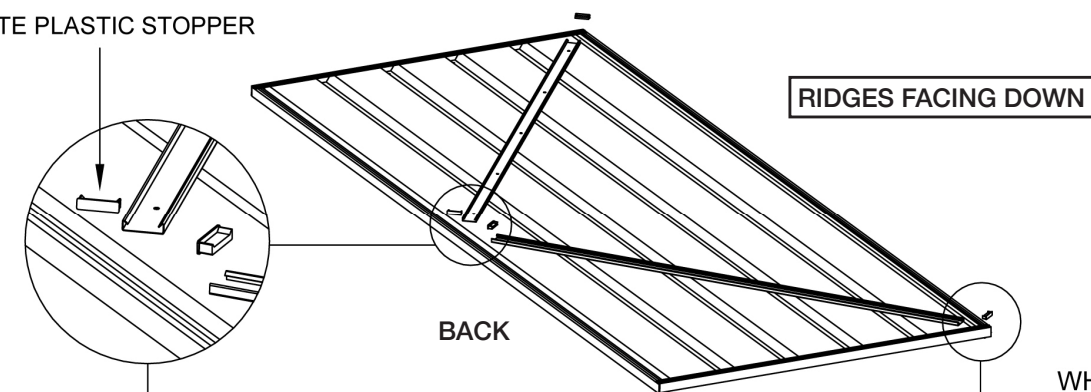
When bracing is lined up on the back of the door panel flip over to the front and fix using the provided 3.0x10mm rivets. Please ensure rivets are inserted through the front of the door panel (ridges facing up). Once 2x part U17 (bracing) is fixed attach the white plastic safety covers to the ends to cover any sharp edges as per diagram below.

RIDGES FACING UP



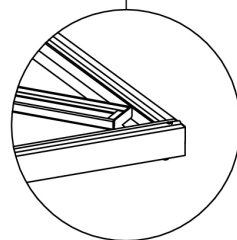
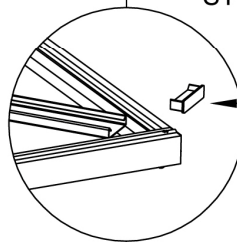
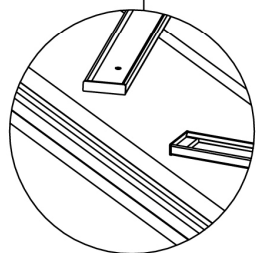
FIX WITH 3.0*10MM RIVET

WHITE PLASTIC STOPPER



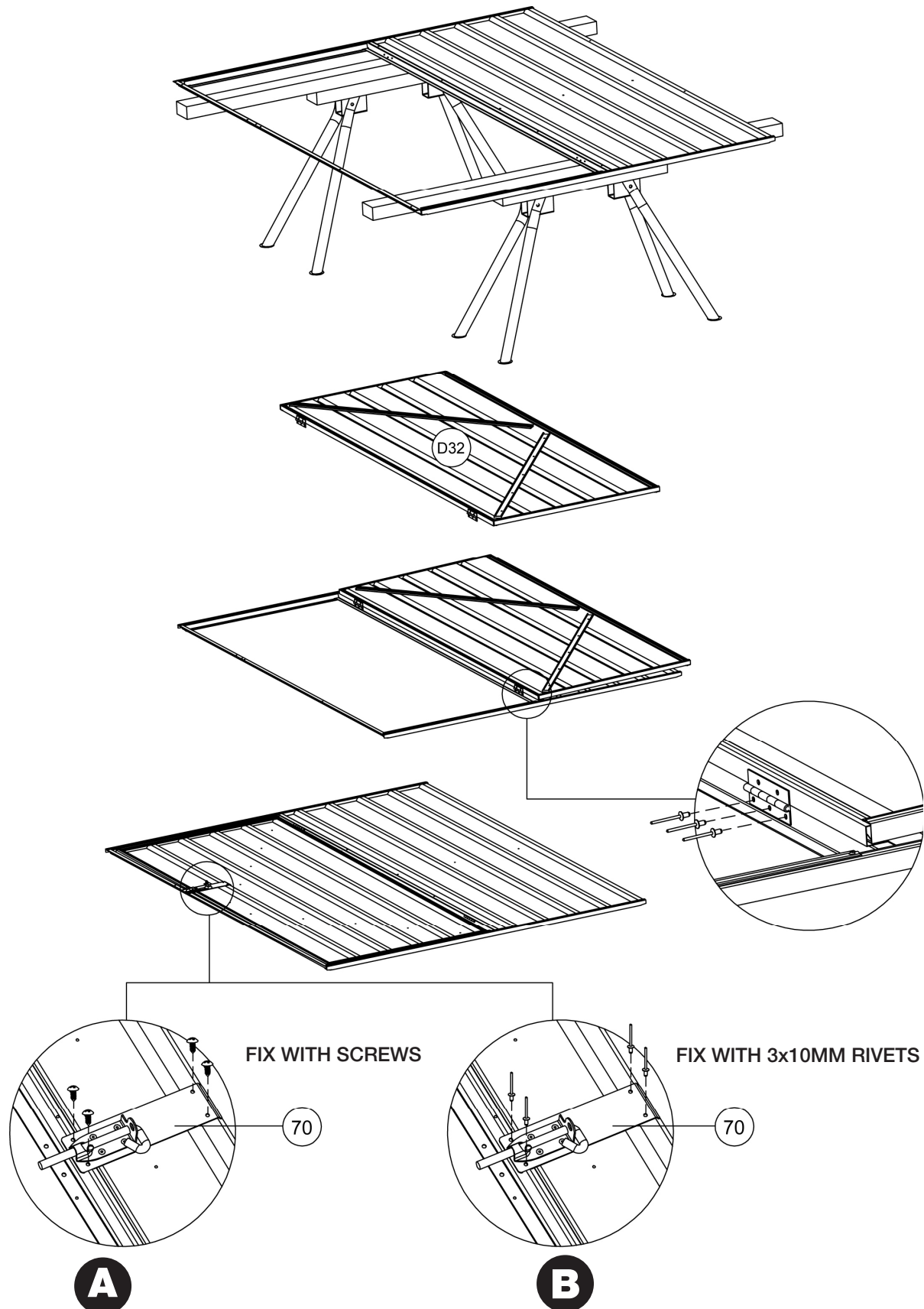
RIDGES FACING DOWN

WHITE PLASTIC STOPPER



Step 6: Assemble the front door (continued)

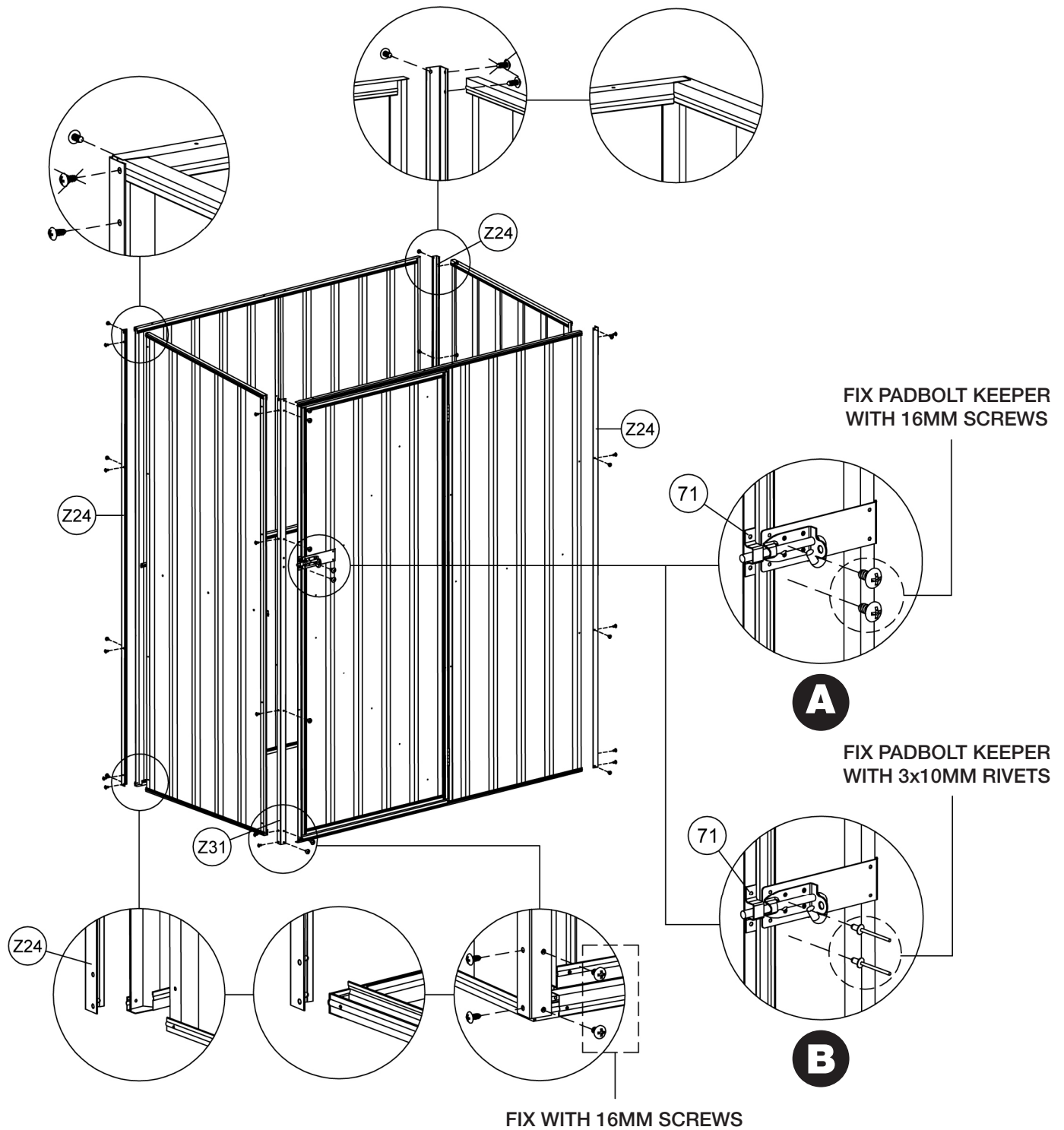
Fix part D32 (assembled door) to the front wall panel using a rivet gun and the provided 4.0 x 10mm rivets. Once the door is fixed to the front wall panel attached the padbolt (part 70) (but not the keeper at this stage) with the provided screws or 3.0 x 10mm rivets.



GARDENSHED 1.51W x 0.77D x 1.52Hm

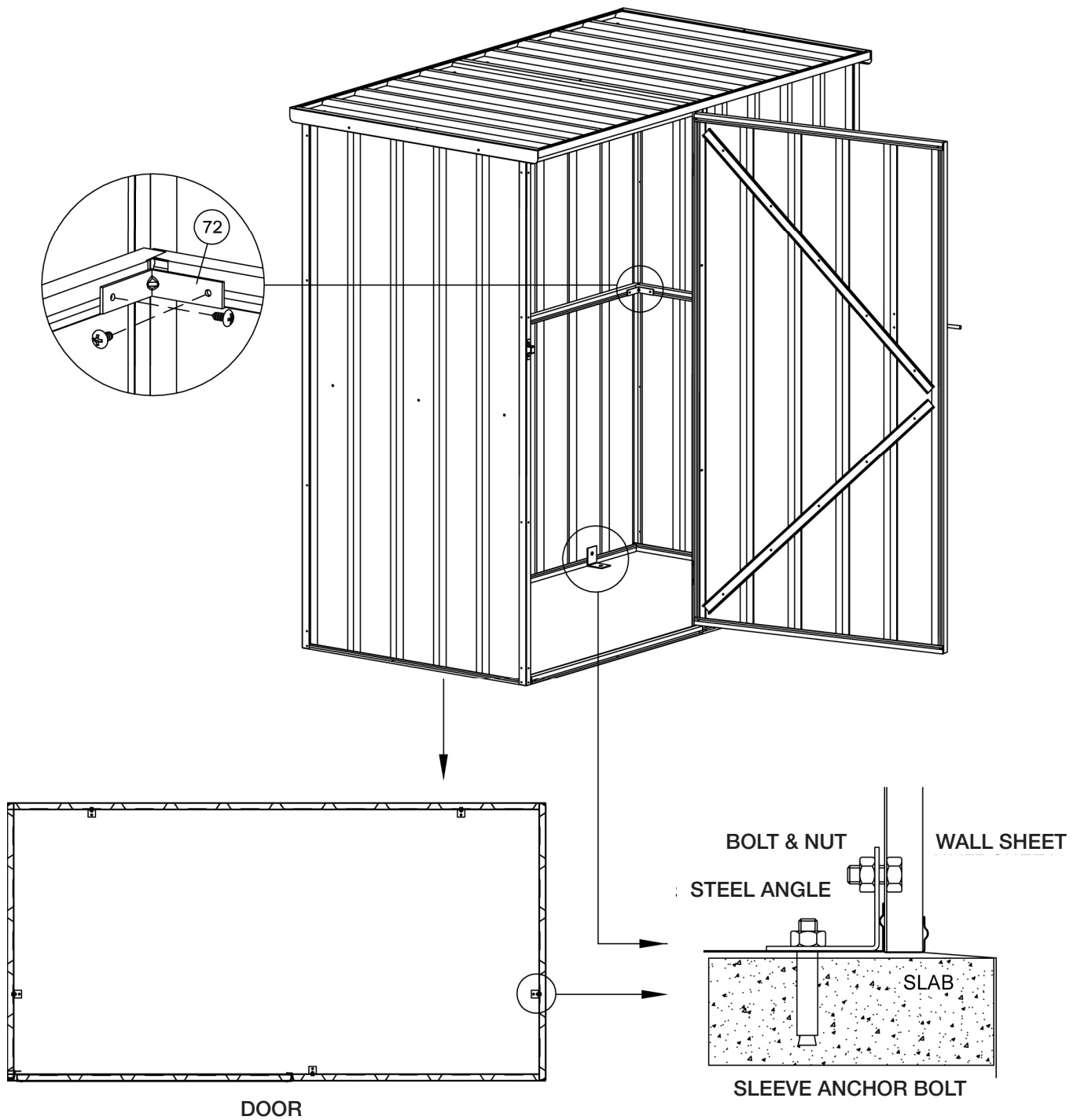
Step 7: Fit the panels together

Attach the two side walls to the back wall, then the front wall by fixing 3 x parts Z24 and part Z31 (corner bracing) followed by the roof. Fix all of these components together using the provided self-tapping screws. **NOTE:** Fix the pad bolt keeper (part 71) with the provided self-tapping screws or rivets at this stage as well.



Step 7: Fit the panels together (continued)

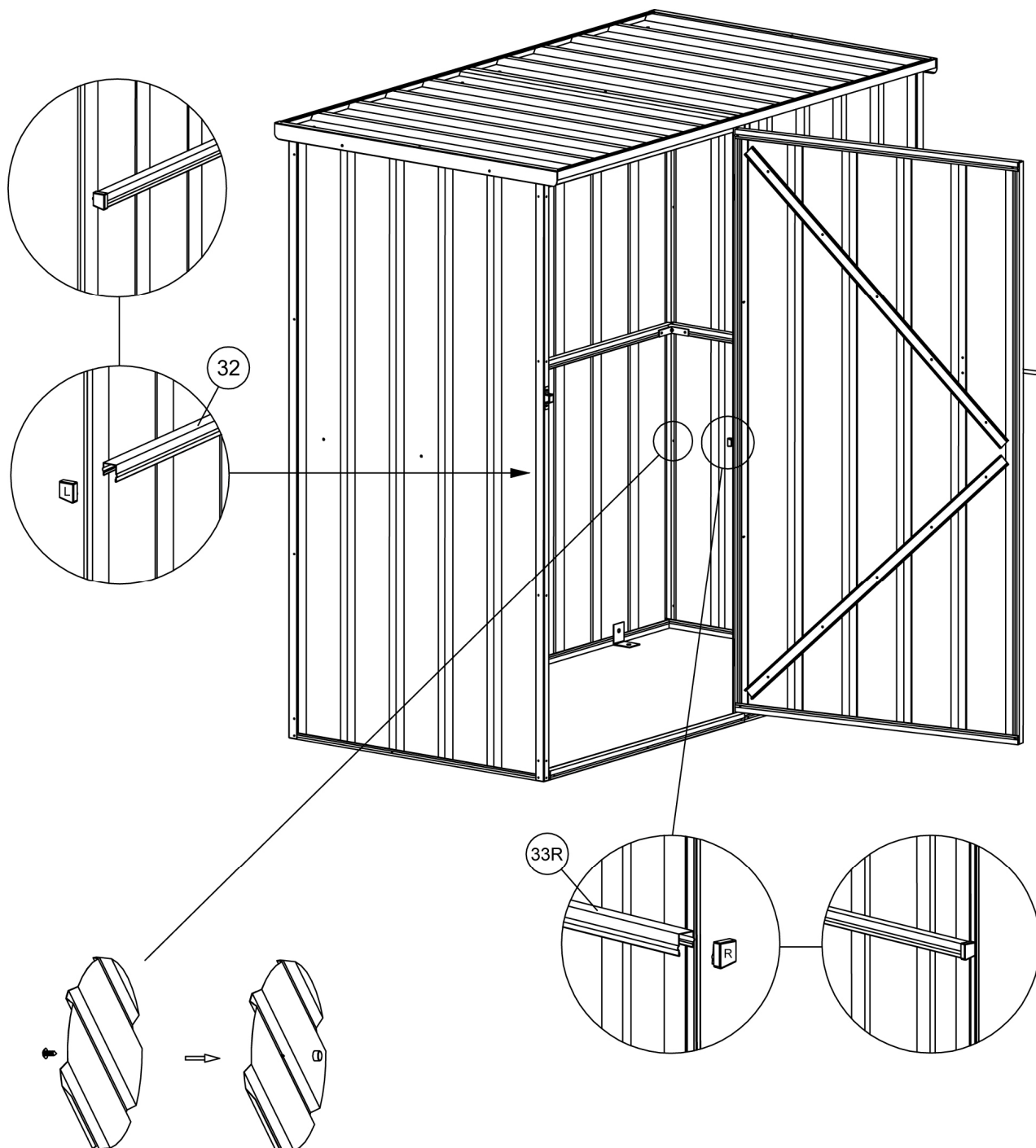
Now fit the bolt down kit as per the diagram below. Strengthen your shed by fixing the provided mid wall bracing (part 72) on each corner.



GARDENSHED 1.51W x 0.77D x 1.52Hm

Step 7: Fit the panels together (continued)

Attach safety covers L to channel 32 and safety covers R to channel 33R to cover the sharp ends. Also attach self-tapping screw covers to all screws on the wall panels to prevent injuries.



Warranty statement:

This warranty against defects is given by:

Pinnacle Hardware
Business Address: 28 Hudson Court, Keysborough VIC 3173
Ph: 1800 349 776
Email: support@pinnacle.net.au

New Zealand customers please contact:

HARCO (Harkness & Young Ltd)
Ph: 09 276 4071
Email: sales@harknessyoung.co.nz

Details of Manufacturer's Warranty

This product comes with a 25 year limited structural warranty ("the Warranty Period") from the date of purchase. This warranty also applies where there are missing or damaged parts identified in the parts list referred to in the instruction kit within the product packaging.

Please ensure that you keep this warranty form in a safe place along with your proof of purchase.

Product:

Place of purchase & Postcode:

Date of Purchase: /..... /.....

The benefits of this warranty are in addition to your rights under the Australian Consumer Law (ACL) or Consumer Guarantees Act 1993 (NZ) and in particular, the guarantees implied under the ACL or Consumer Guarantees Act 1993 (NZ) and any other rights and remedies of the consumer under a similar law in relation to the goods and services to which this warranty relates.

Process of claiming Warranty:

To make a claim under the Warranty within the Warranty Period, you will need to contact the manufacturer directly by phone or email:

Australian Customers please contact Pinnacle Hardware on:

Claims Department contact number: 1800 349 776
Claims Department email: support@pinnacle.net.au

New Zealand Customers contact Harco (Harkness & Young) on:

Claims Department contact number: 09 276 4071
Claims Department email: sales@harknessyoung.co.nz

You will be required to produce proof of purchase (this is at discretion of the manufacturer) at the time of the claim.

The manufacturer bears the cost of replacing the products or spare parts or repairing the products and reasonable direct expenses of claiming under this warranty:

- Where parts are replaced, the manufacturer will bear the cost of sending the spare part and will endeavour to deliver it to the customer's nearest reseller within 10 working days for the customer to pick up. At such time the customer may be required to return the alleged faulty parts.

GARDENSHED 1.51W x 0.77D x 1.52Hm

– Where assessment is required in case of replacing or repairing the product, the manufacturer will appoint an assessor within 10 working days to identify the alleged defect. The manufacturer will bear the repair costs by appointing a local tradesman. The manufacturer may choose to replace the product if the repair or the cost of repair is not feasible. The replacement product will be available for collection from the nearest reseller within 10 working days. The customer will bear the cost of assembly for the replacement product.

IMPORTANT

1. Manufacturer's Disclosure

This warranty against defects shall not apply in the following situations:

- A) Where the product is not assembled in accordance with the instructions provided in the product kit.
- B) Where the product is used to store corrosive materials such as fertilizer, chlorine etc;
- C) Where the damage to the product is caused by storms.

2. Weatherproofing

This product is weatherproof to a certain level; however driving windy rain may cause the product to leak. Condensation may also occur in some weather conditions such as extreme heat or cold. The product should only be used for storing items such as gardening equipment and should not be used for articles that may be prone to damage if they come into contact with moisture.

We strongly recommend you use a waterproof sealant to fill any gaps or joins in order to minimise the risk of water entering.

3. Major Defects

If the manufacturer is satisfied that the defect is a major defect, the purchase price may be refunded in lieu of providing a replacement product or repairing the product.

Our goods come with guarantees that cannot be excluded under the Australian Consumer Law or Consumer Guarantees Act 1993 (NZ). You are entitled to a replacement or refund for a major failure and for compensation for any other reasonably foreseeable loss or damage. You are also entitled to have the goods repaired or replaced if the goods fail to be of acceptable quality and the failure does not amount to a major failure.