

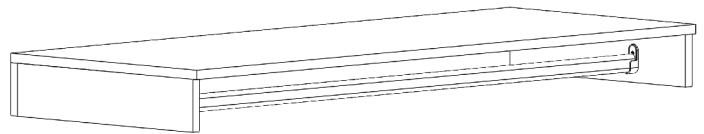
## 1195mm Hang Rail Pack

### IMPORTANT

Before commencing Assembly:

- Follow all instructions **COMPLETELY**.
- Hardware kit contains small parts; keep out of reach of children.
- Ensure all listed parts are present.
- Required tools to assemble:  
Philips head screw driver, Battery Drill & Spirit Level.
- Required assembly work surface should be solid, level, clean and flat.
- Ensure all melamine edges are facing to the front of the unit.

**Customer Services Enquiries 1800 822 823**



Quality  
ISO 9001

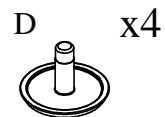
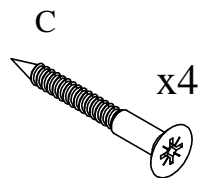
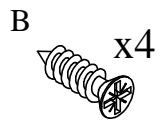
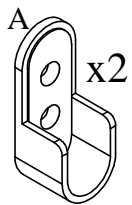
SAI GLOBAL



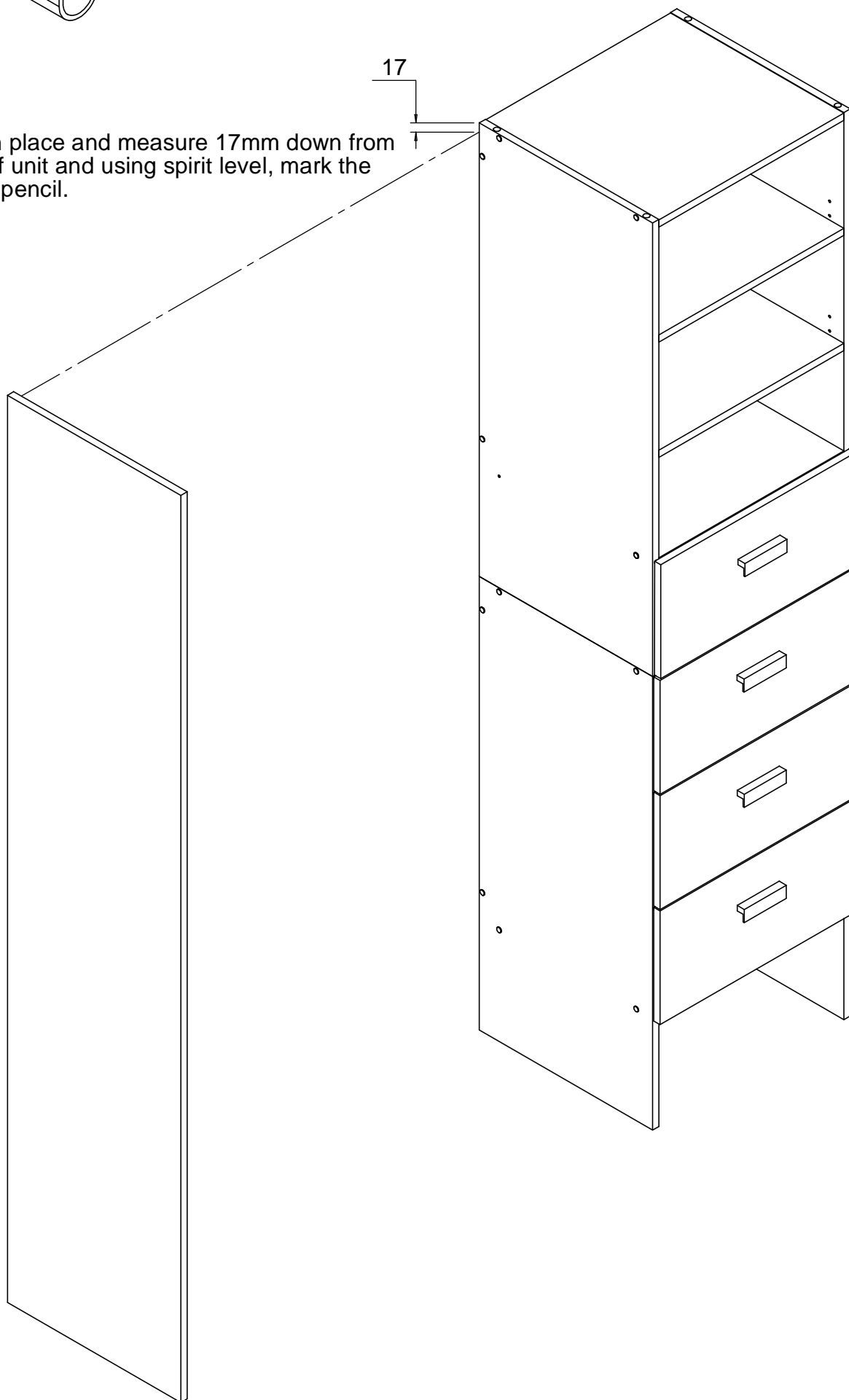
AUSTRALIAN MADE

## **Practical, Adaptable, Affordable.**

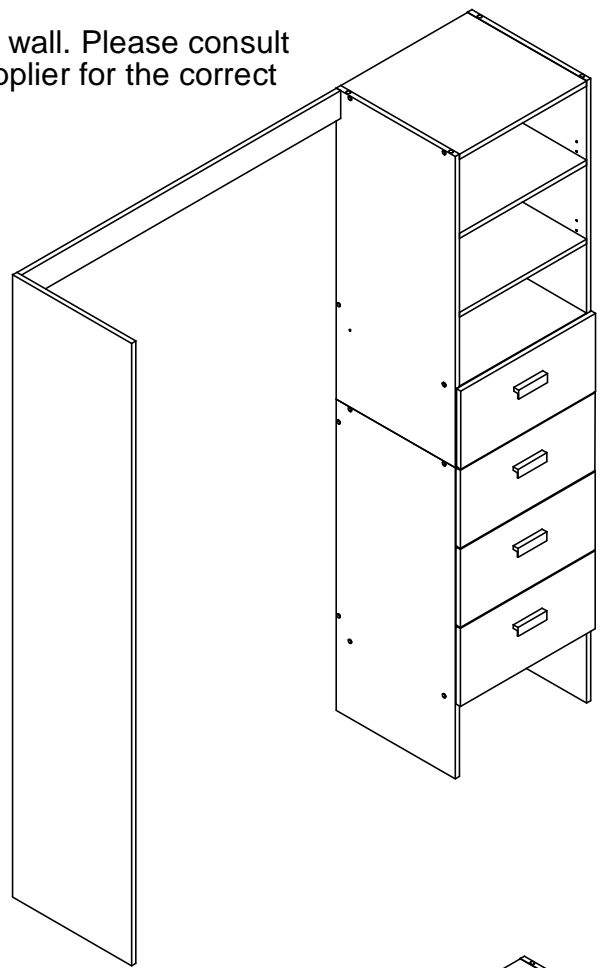
READY TO ASSEMBLE HOME STORAGE SOLUTIONS



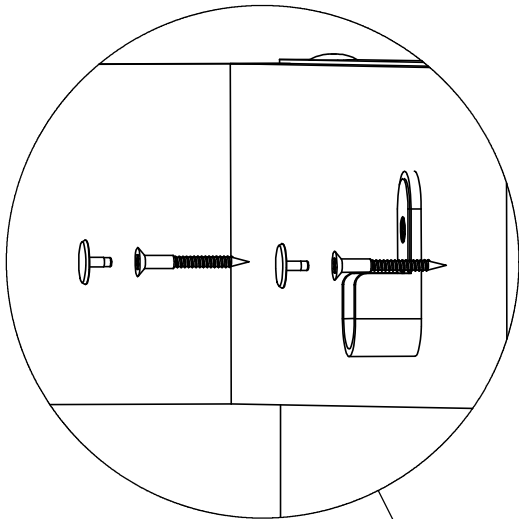
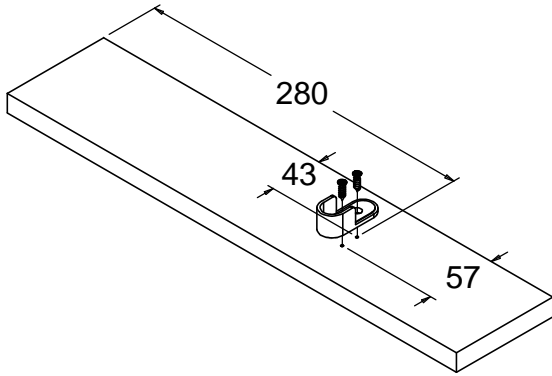
Sit unit in place and measure 17mm down from the top of unit and using spirit level, mark the wall with pencil.



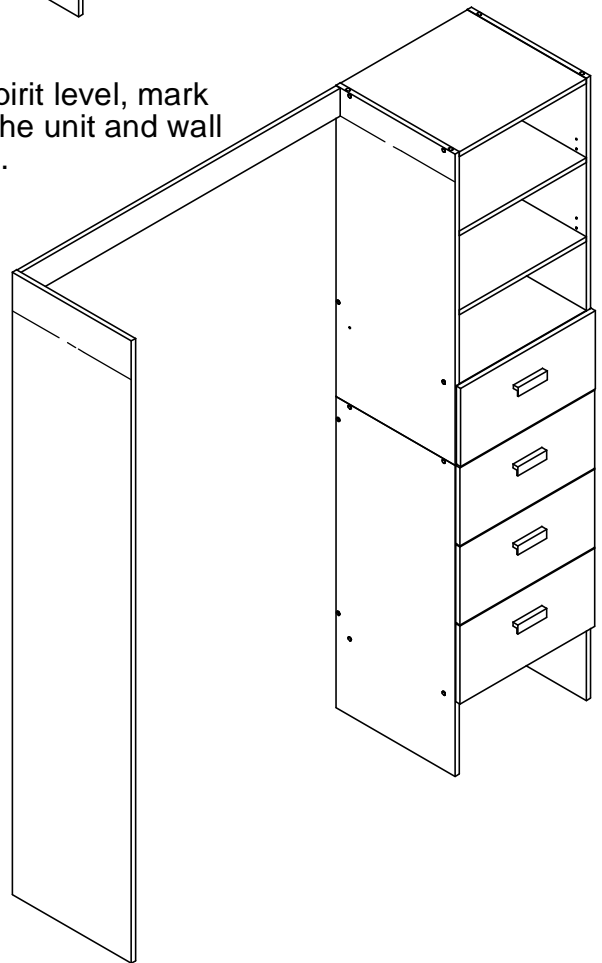
Attach back rail to wall. Please consult your hardware supplier for the correct fixing.



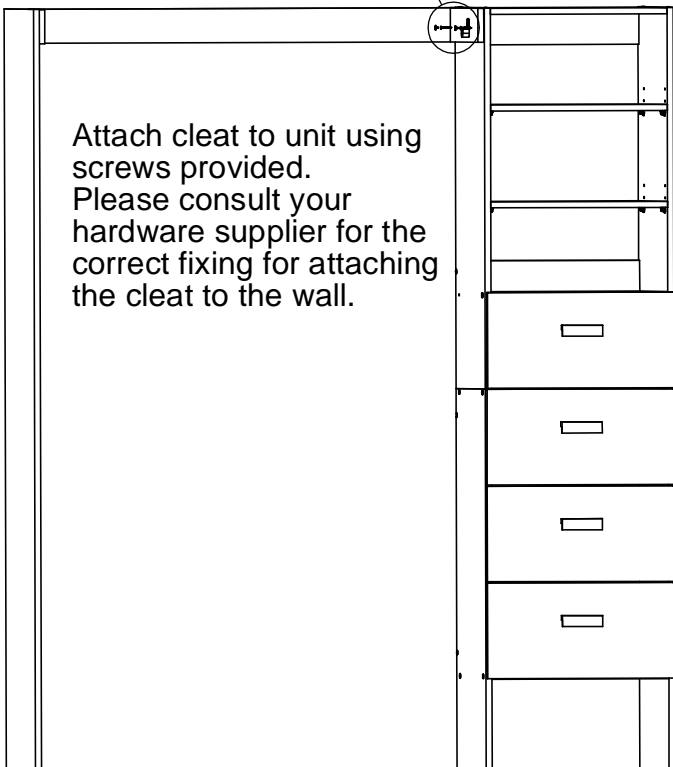
Pre drill 2mm holes on cleat (280mm from back and 43 & 57mm down). Attach hanging rod support to cleat using the screws provided.



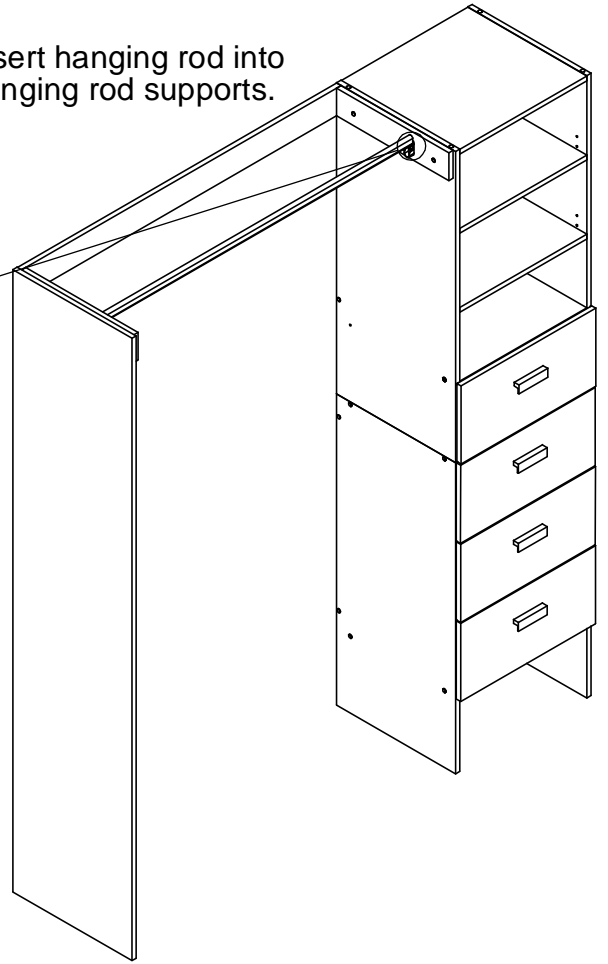
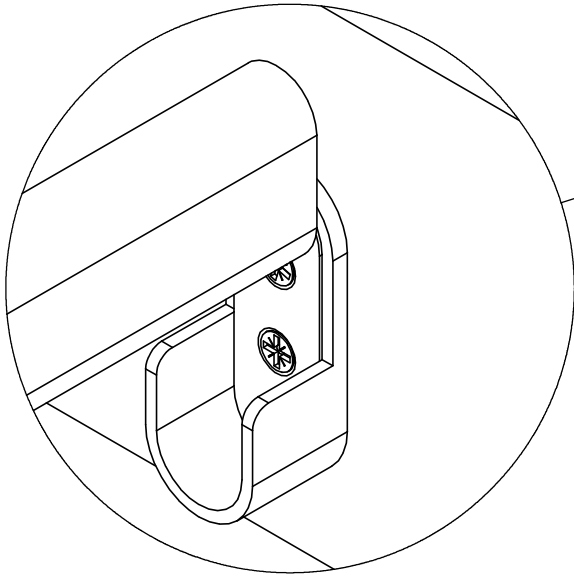
Using spirit level, mark side of the unit and wall for cleat.



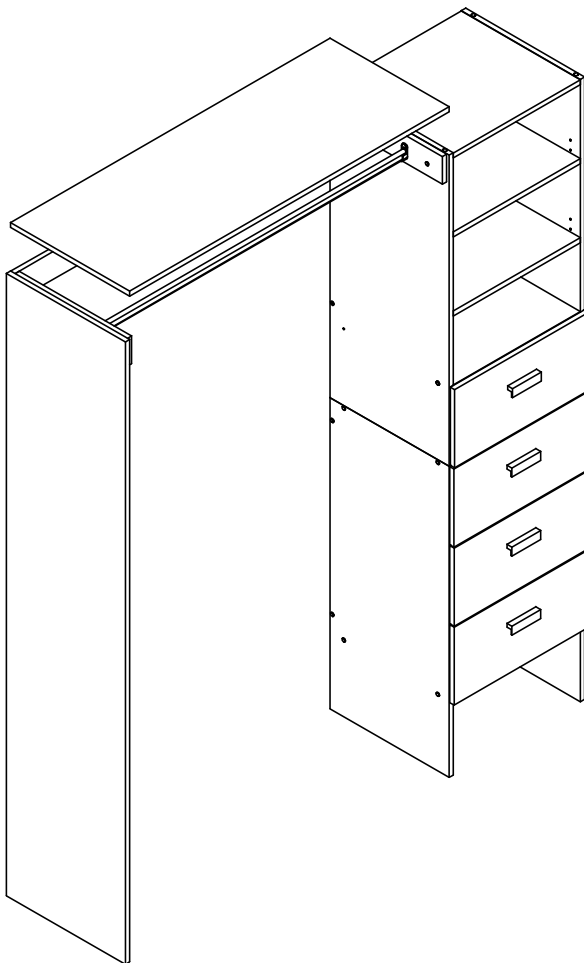
Attach cleat to unit using screws provided. Please consult your hardware supplier for the correct fixing for attaching the cleat to the wall.



Insert hanging rod into hanging rod supports.



Place shelf on the top.



Bedford Furniture is part of the Bedford Group. Bedford is a South Australian not-for-profit organisation dedicated to enhancing the lives of people with a disability or disadvantage through employment, training, residential services and life-skills.