

SINGLE / DOUBLE FRIDGE MODULE

ASSEMBLY INSTRUCTIONS



WARNING! – THIS IS A PERMANENT CONNECTION SYSTEM!

WHAT'S NEEDED?

Tools Required:

- Soft Sided Hammer (Not Included)
- Philips head screwdriver (Not Included)
- Allen Keys x 2 (Included)

WHAT'S IN THE BOX?

Box 1 of 2 = Bench-top

Box 2 of 2 = Panels

PARTS INCLUDED:

WHITE PANELS with Frames x 4

HARDWARE

- Bolt Pack x 1
- Allen keys x 2

Essential TIP: Ensure you have a stable flat surface or workbench to work from. The most ideal height to assemble the module is waist height. The workbench should be at least 1.8m (W) x 1m(H) x 0.7m(D) in size.

FRIDGE CABINET LAYOUT DIAGRAM

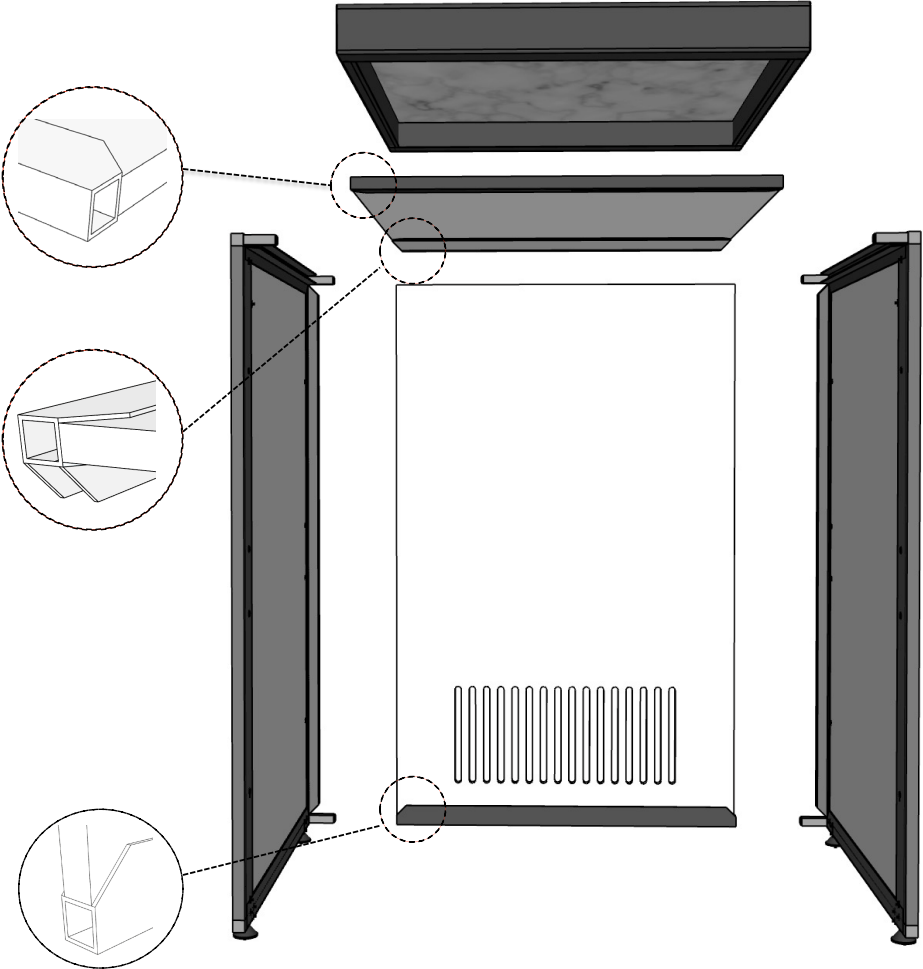


FIG. 1

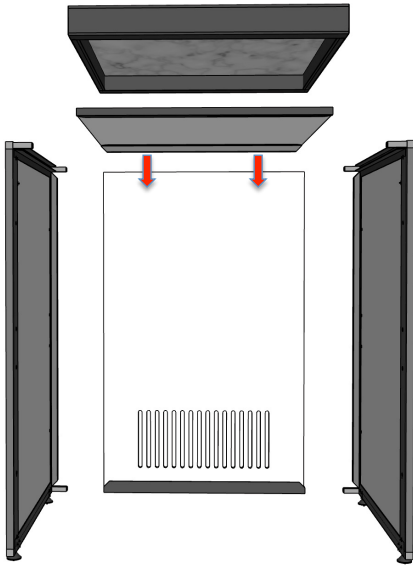


FIG. 2

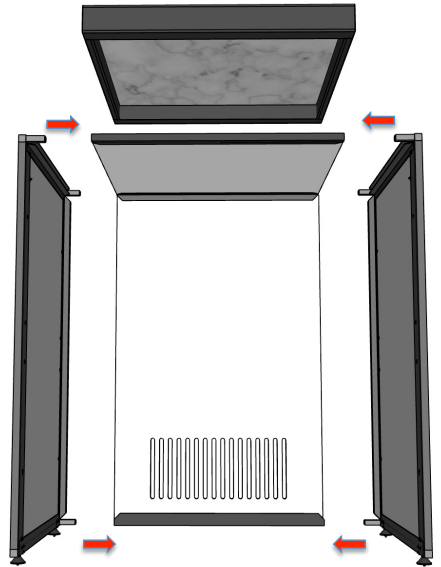


FIG. 3

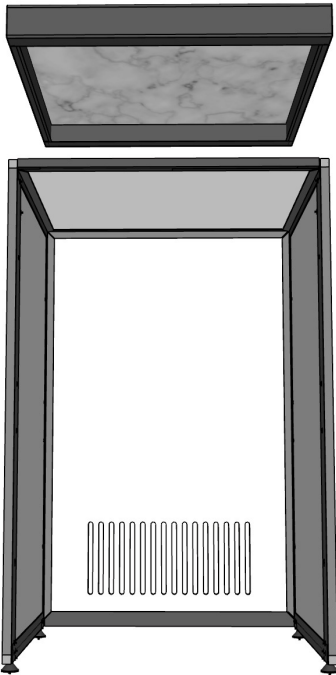


FIG. 4

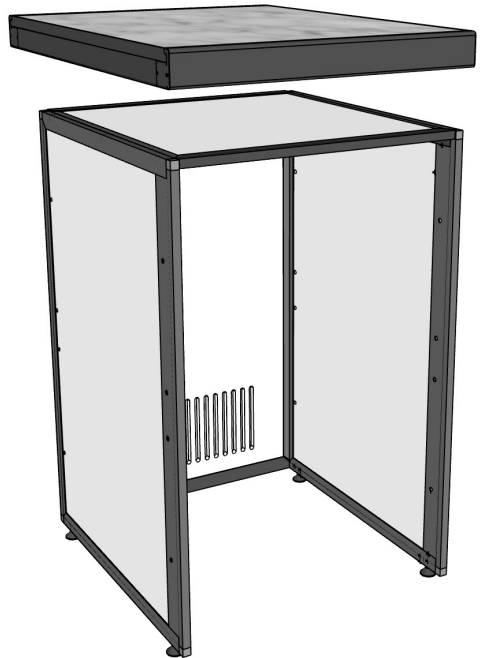


FIG. 5

STONE TOP PLACEMENT

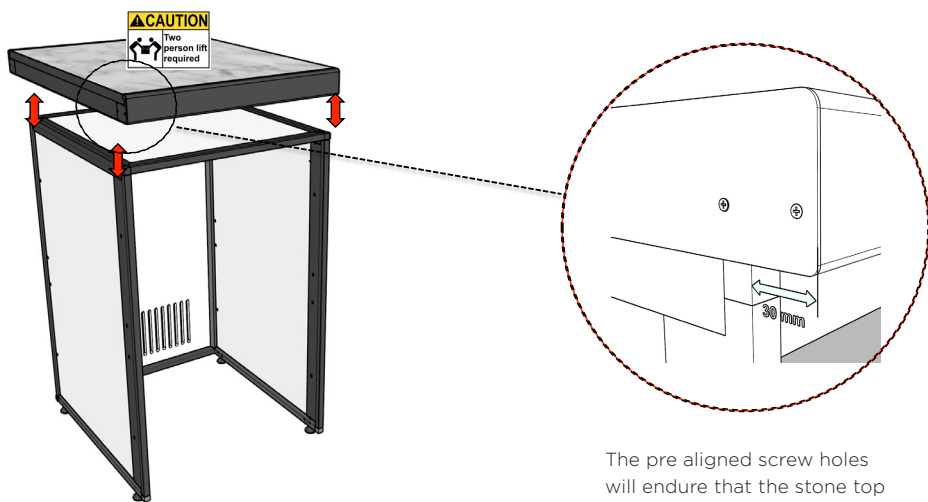
The frame and stone top is pre-assembled for your ease of assembly.

NOTE: The Stone Top is deeper than the cabinet to allow for services.

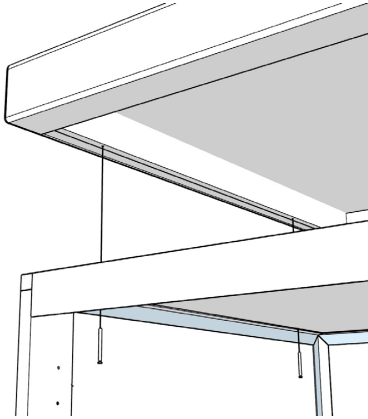
IMPORTANT: Assemble and level your kitchen modules, fit your End Panels and then align your tops before fixing.

ESSENTIAL TIP: Ensure the frames and stone table are positioned on a stable flat surface to ensure alignment.

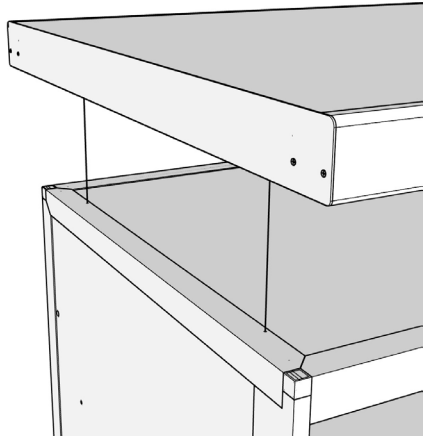
CAUTION: The stone table is very heavy, and a 2-person lift is required.



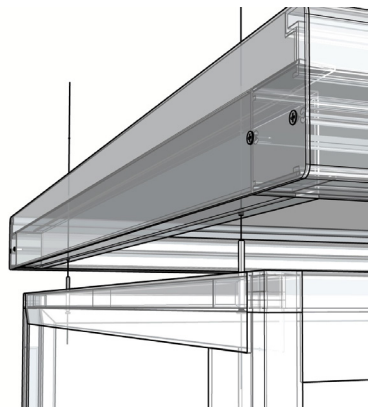
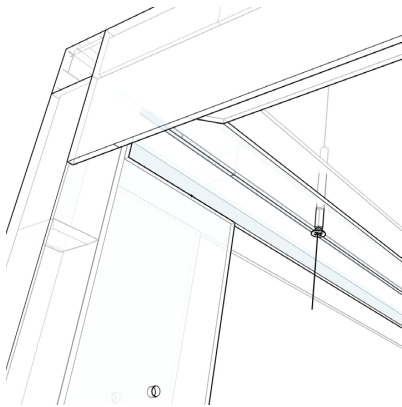
The pre aligned screw holes will ensure that the stone top has an offset of **30mm** from the cabinet.

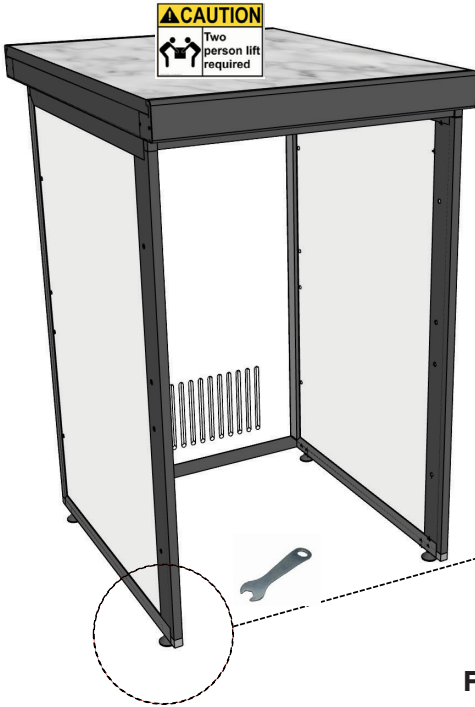


Screw Point, Pre drilled Alignment holes.



Screw Point, Pre drilled Alignment holes.





After the stone has been securely placed, the thumb screw feet can be height adjusted to make sure the cabinet aligns horizontally with the other cabinets.

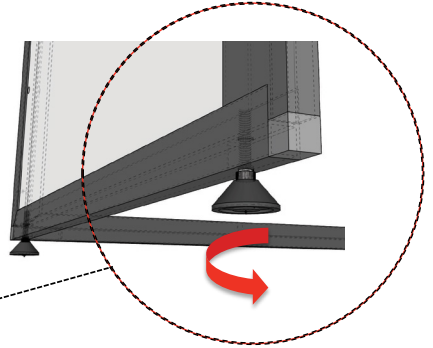


FIG. 7

For any queries or assistance call:

Customer Service

Australia Only

1300 174 876

service.group@sitro.com.au

Hours of operation:

Monday to Friday 8am - 5pm

Do not return to place of purchase

Keep your purchase receipt, this will be required to make any claims under the warranty.